

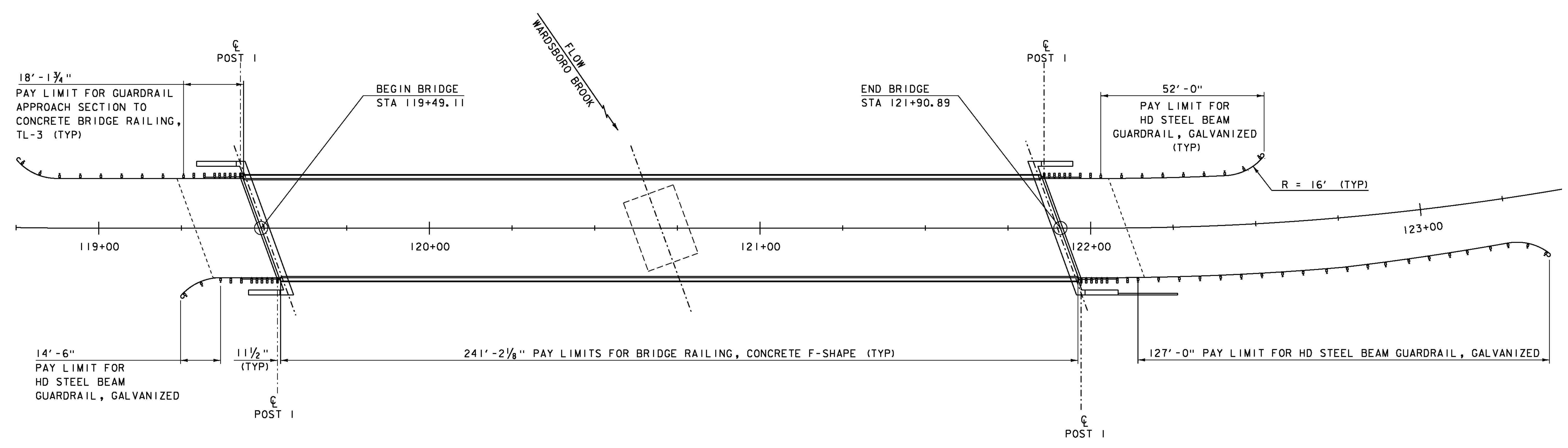
GUARDRAIL APPROACH SECTION TO
CONCRETE BRIDGE RAILING, TL-3
 STA 119+24.80 - STA 119+42.90 LT
 STA 119+35.70 - STA 119+53.90 RT
 STA 121+86.10 - STA 122+04.30 LT
 STA 121+97.00 - STA 122+15.00 RT

HD STEEL BEAM GUARDRAIL, GALVANIZED
 STA 118+74.90 - STA 119+24.80 LT
 STA 119+23.60 - STA 119+35.70 RT
 STA 122+04.30 - STA 122+54.90 LT
 STA 122+15.00 - STA 123+37.50 RT

CONCRETE CURB, TYPE B
 STA 119+31.80 - 119+43.80 LT
 STA 119+43.00 - 119+55.00 RT
 STA 121+84.99 - 121+96.99 LT
 STA 121+96.20 - 122+08.20 RT

BRIDGE RAILING, F-SHAPE CONCRETE
 STA 119+42.90 - STA 121+86.10 LT
 STA 119+53.90 - STA 121+97.00 RT

ANCHOR FOR STEEL BEAM RAIL
 STA 118+87.20 LT
 STA 119+35.70 RT
 STA 122+42.50 LT
 STA 123+25.70 RT



RAIL LAYOUT
NOT TO SCALE

PROJECT NAME: JAMAICA	PLOT DATE: 12-OCT-2012
PROJECT NUMBER: ER-BRF 013-1(16)	DRAWN BY: J. SALVATORI
FILE NAME: s11b212-rail.dgn	CHECKED BY: G. LAROCHE
PROJECT LEADER: K. HIGGINS	SHEET 21 OF 85
DESIGNED BY: G. LAROCHE	
RAIL LAYOUT	