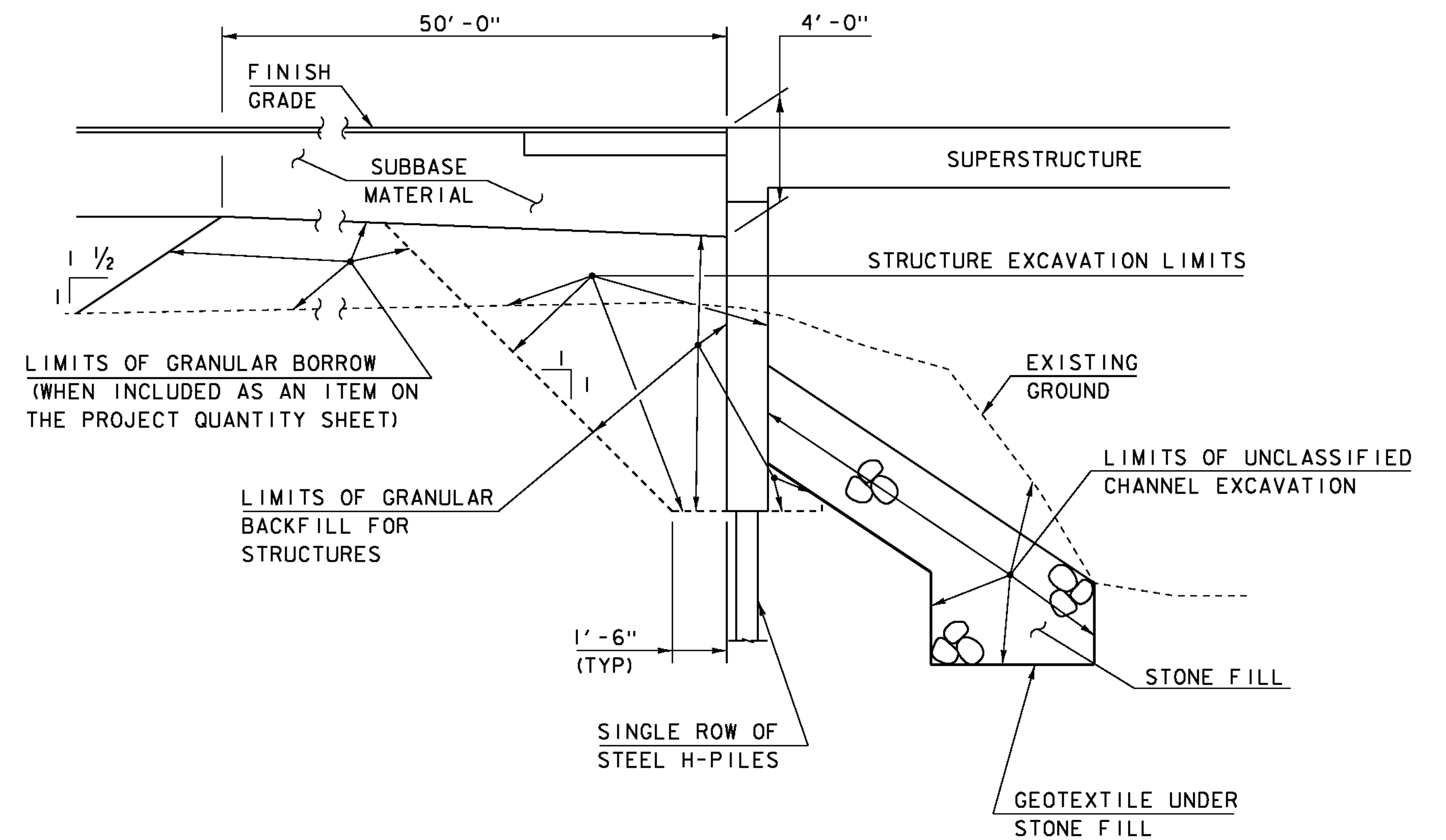


SAFETY EDGE DETAIL

NOT TO SCALE

NOTE: LEVELING COURSE MAY INCLUDE THE "SAFETY EDGE" AT THE CONTRACTOR'S CHOICE.



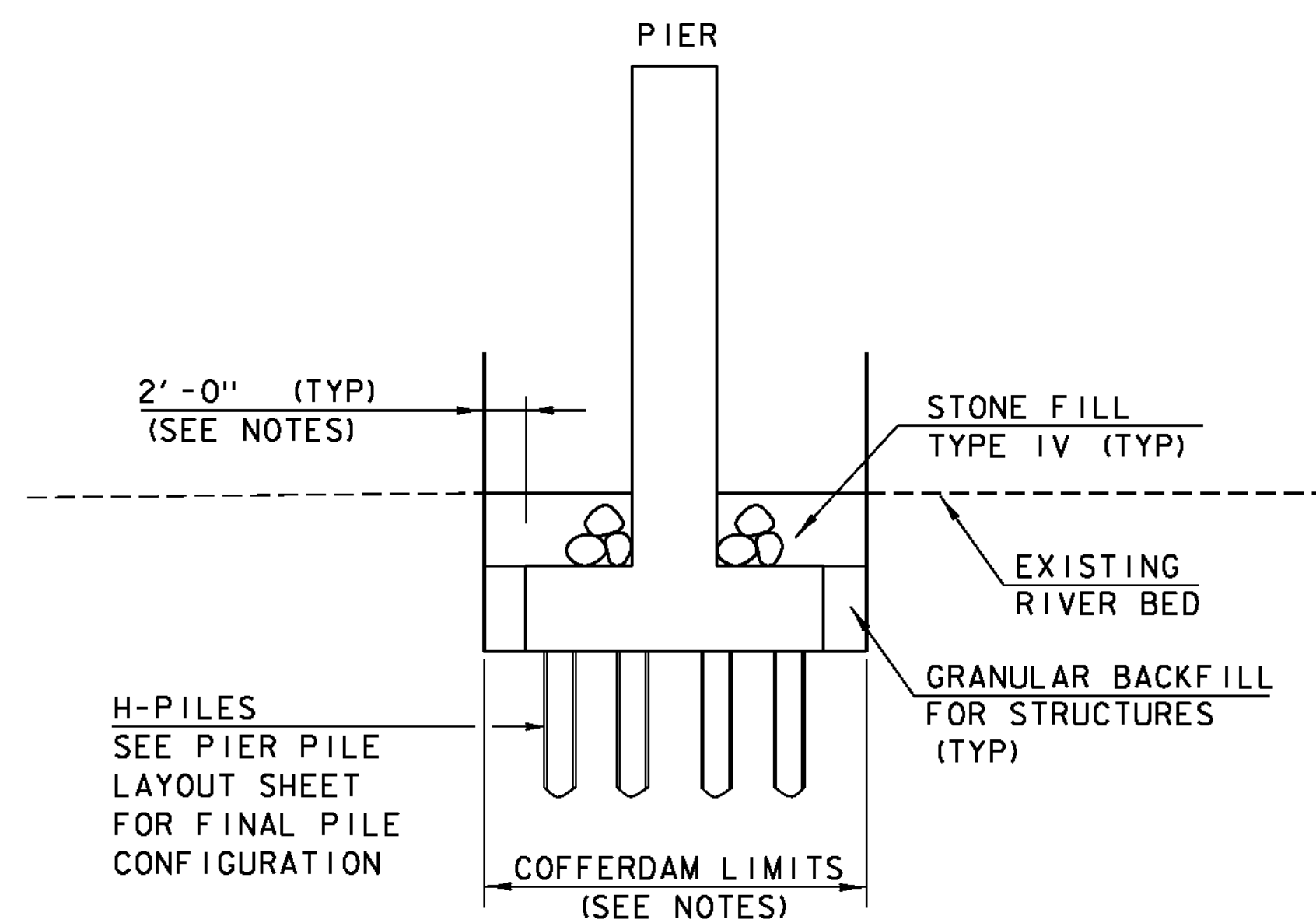
TYPICAL INTEGRAL ABUTMENT SECTION

NOT TO SCALE

ACTUAL LIMITS OF STRUCTURE EXCAVATION SHALL BE DETERMINED BY THE CONTRACTOR. HOWEVER, ONLY THE EXCAVATION BETWEEN THE LIMITS SHOWN WILL BE PAID FOR UNDER ITEM 204.25 "STRUCTURE EXCAVATION". EXCAVATION BY THE CONTRACTOR OUTSIDE OF THESE LIMITS WILL BE AT THE EXPENSE OF THE CONTRACTOR.

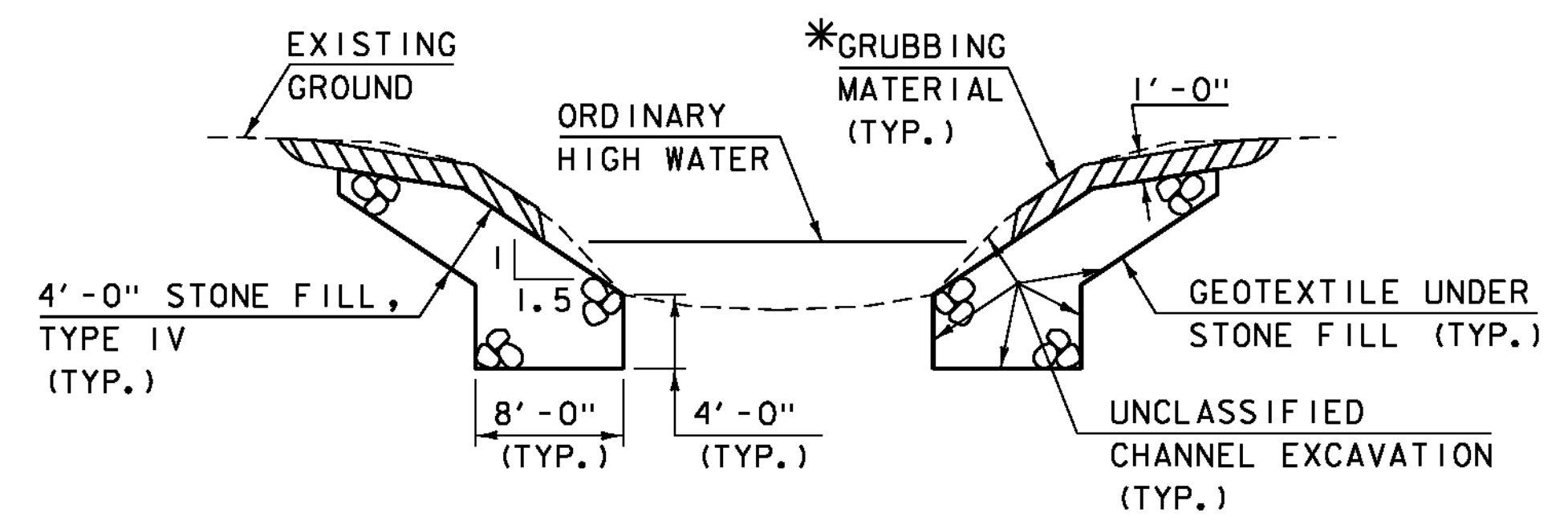
COFFERDAM NOTES

1. COFFERDAM DIMENSIONS TO BE DETERMINED BY THE CONTRACTOR.
2. THE PAY LIMITS OF EITHER "COFFERDAM EXCAVATION, EARTH" AND "~~COFFERDAM EXCAVATION, ROCK~~" SHALL BE 2'-0" OUTSIDE THE PERIMETER OF THE FOOTING AND FROM BOTTOM OF EXCAVATION UP TO THE EXISTING GROUND OR BOTTOM OF SUBBASE, WHICHEVER IS LOWER.
3. IF A COFFERDAM IS CONSTRUCTED WHICH IS LARGER THAN THE INDICATED COFFERDAM EXCAVATION PAY LIMITS, PAYMENT FOR ALL UNCLASSIFIED CHANNEL EXCAVATION, INCLUDING THAT PORTION WHICH IS INSIDE THE COFFERDAM BUT OUTSIDE THE COFFERDAM PAY LIMITS, WILL BE MADE AT THE CONTRACT UNIT PRICE FOR UNCLASSIFIED CHANNEL EXCAVATION. NO MEASUREMENT AND PAYMENT WILL BE MADE FOR COFFERDAM EXCAVATION AND GRANULAR BACKFILL FOR STRUCTURES OUTSIDE THE PAY LIMITS DEFINED IN NOTE 2.



PIER EARTH WORK TYPICAL

(NOT TO SCALE)



TYPICAL CHANNEL SECTION

(NOT TO SCALE)

*GRUBBING MATERIAL SHALL NOT BE PLACED ON THE STONE FILL IN THE AREA UNDER THE BRIDGE. WHENEVER CHANNEL SLOPE INTERSECTS ROADWAY SUBBASE, GRUBBING MATERIAL SHALL BEGIN AT THE BOTTOM OF SUBBASE.

PROJECT NAME: JAMAICA
PROJECT NUMBER: ER-BRF 013-1(16)

FILE NAME: s11b212+yp.dgn
PROJECT LEADER: K. HIGGINS
DESIGNED BY: G. LAROCHE
TYPICAL SECTIONS 2

PLOT DATE: 12-OCT-2012
DRAWN BY: K. FRIEDLAND
CHECKED BY: G. LAROCHE
SHEET 9 OF 85