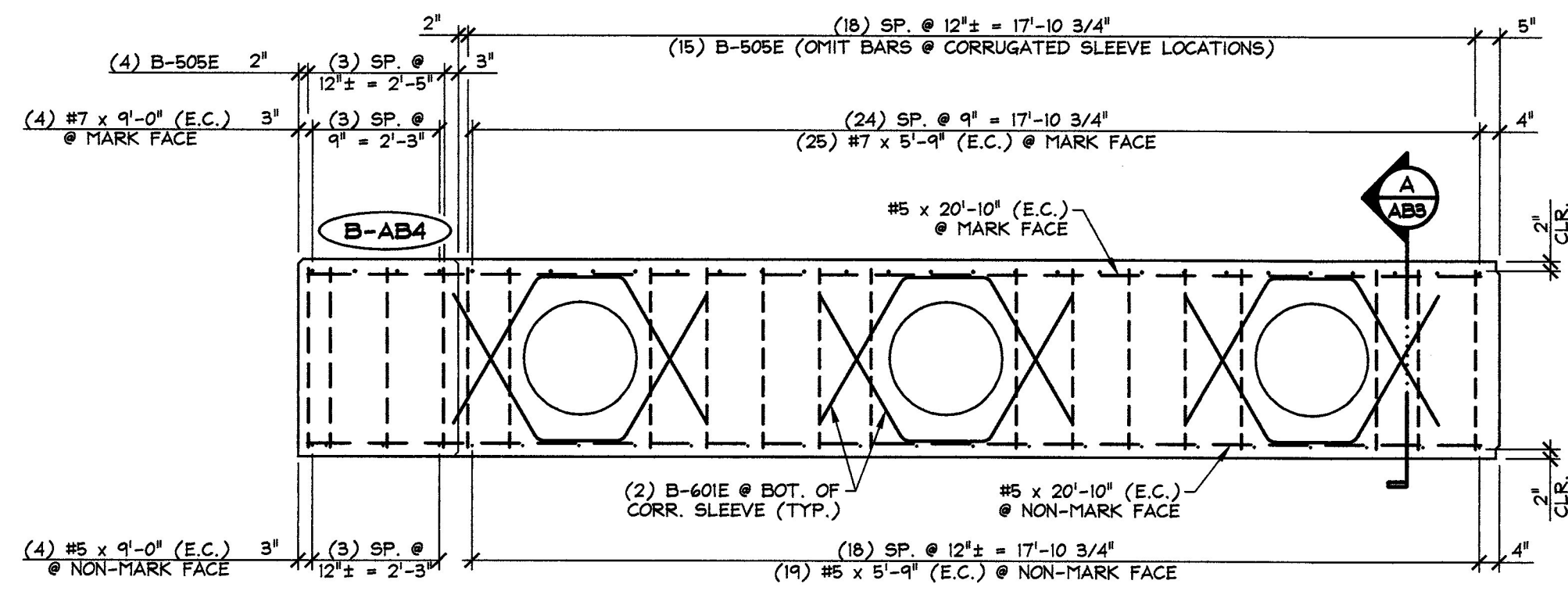
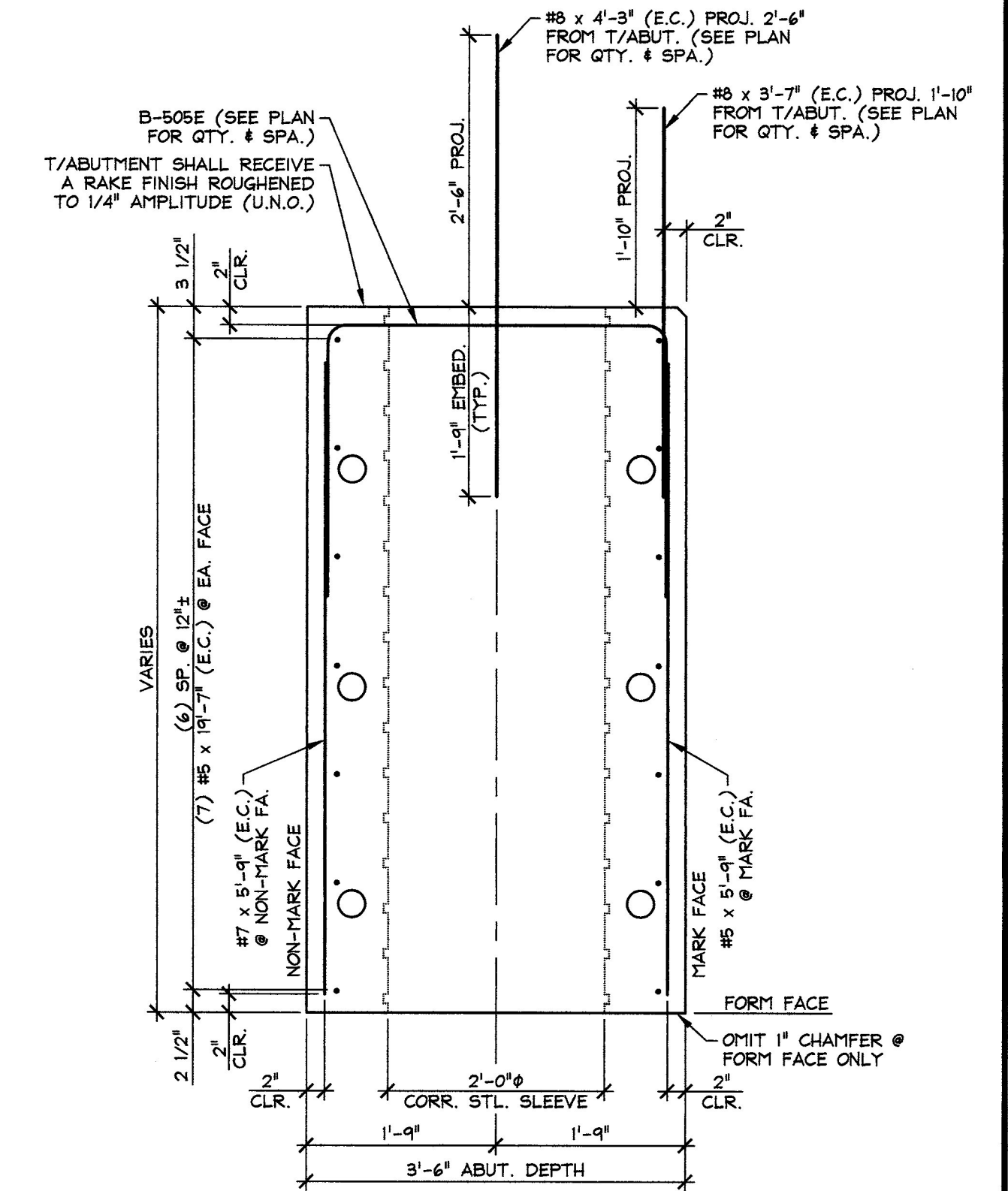


1 ABUTMENT DIMENSIONAL PLAN VIEW IN FORM
 3/8" = 1'-0"

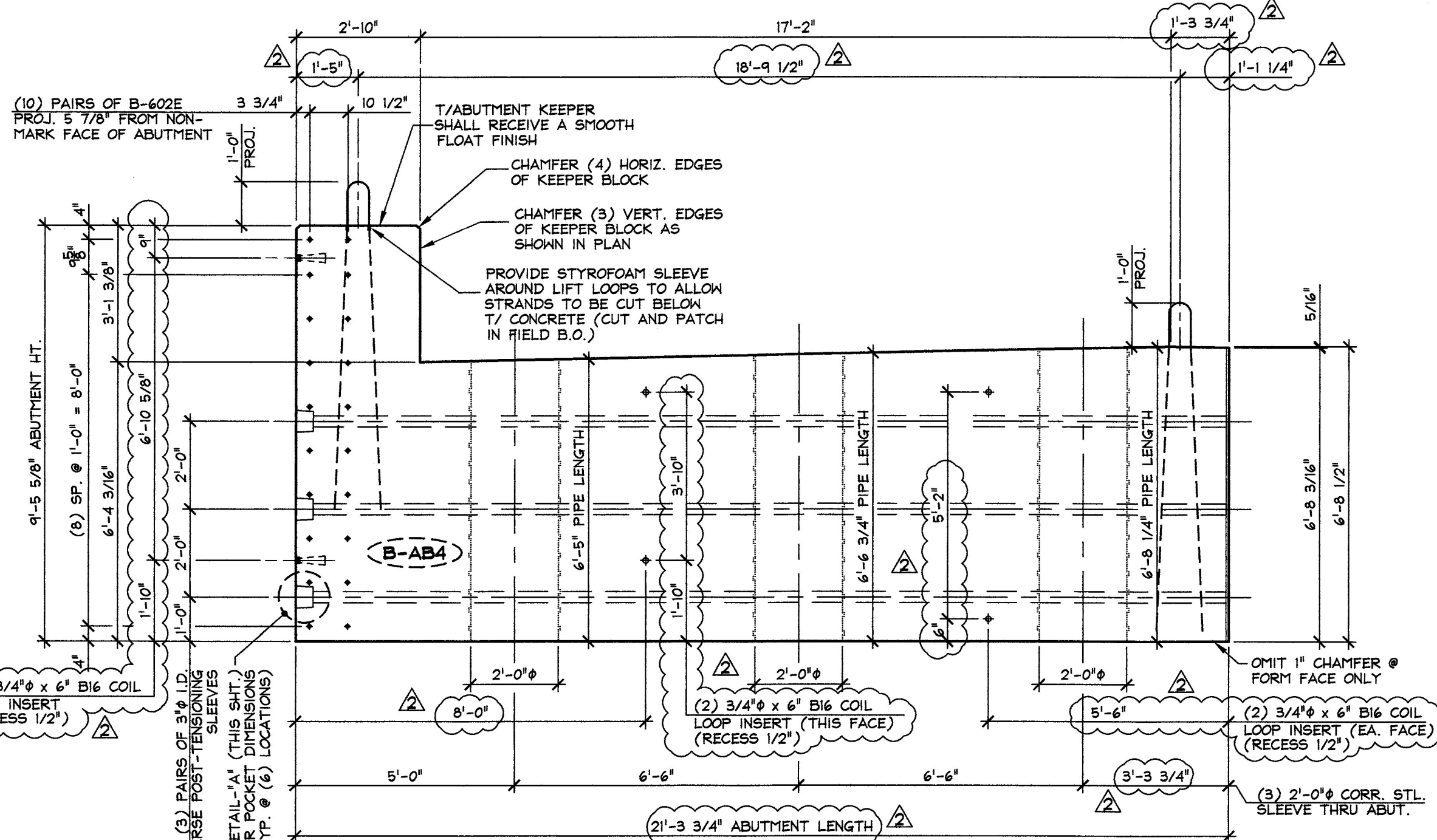


4 ABUTMENT REINFORCING PLAN VIEW IN FORM
 3/8" = 1'-0"



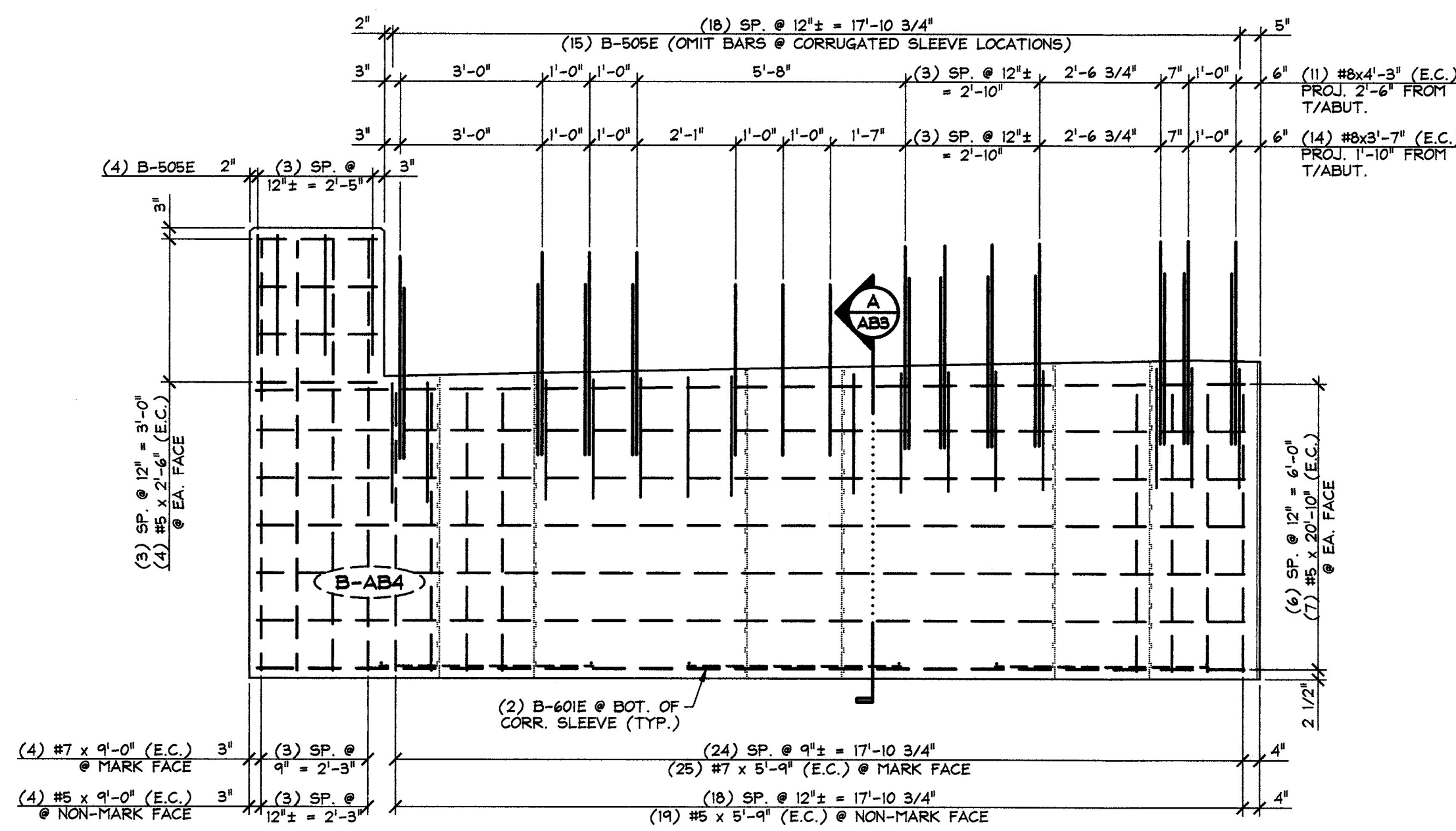
A ABUTMENT SECTION
 3/4" = 1'-0"

SUBMITTED
 JAN 9 2013
 J.P. CARRARA & SONS, INC.
 MIDDLEBURY, VT 05753

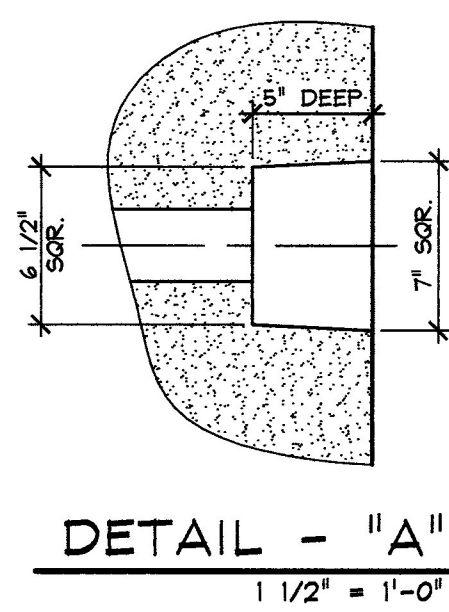


2 ABUTMENT DIMENSIONAL NON-MARK FACE ELEVATION
 3/8" = 1'-0"

SHOP NOTE:
 ALL EDGES OF ABUTMENT SHALL RECEIVE A 1" CHAMFER (U.N.O.)



3 ABUTMENT REINFORCING NON-MARK FACE ELEVATION
 3/8" = 1'-0"



DETAIL - "A"
 1 1/2" = 1'-0"

1-3-13 GENERAL REVISIONS

Vermont Agency of Transportation
RECEIVED
 CK'D BY WDL OK'D BY JTS
 January 9th, 2013
 RESUBMIT APPROVED
 BY KMH DATE 1-10-13

MATERIAL LIST / ABUTMENT			
ITEM	MARK	DESCRIPTION	QTY.
1	B-505E	#5 BENT BAR (EPOXY COATED)	19
2		#5 x 2'-6" (EPOXY COATED)	8
3		#5 x 5'-9" (EPOXY COATED)	19
4		#5 x 9'-0" (EPOXY COATED)	4
5		#5 x 20'-10" (EPOXY COATED)	14
6			
7	B-601E	#6 BENT BAR (EPOXY COATED)	6
8	B-602E	#6 BENT BAR (EPOXY COATED)	20
9			
10		#7 x 5'-9" (EPOXY COATED)	25
11		#7 x 9'-0" (EPOXY COATED)	4
12			
13		#8 x 3'-7" (EPOXY COATED)	14
14		#8 x 4'-3" (EPOXY COATED)	11
15		(3/4)" x 6" BIG COIL INSERT (ELECTRO-PLATED FINISH)	3
16		2'-0" x 6'-5" CORRUGATED STEEL PIPE (GALV.)	1
17		2'-0" x 6'-6 3/4" CORRUGATED STEEL PIPE (GALV.)	1
18		2'-0" x 6'-8 1/4" CORRUGATED STEEL PIPE (GALV.)	1
19		SET OF (4) 0.60" x 270 KSI STRAND LIFTING LOOPS	2
20			

J.P. CARRARA & SONS INC.
 Precast & Prestress Manufacturer
 2444 CASE ST., MIDDLEBURY, VERMONT 05753 Phone: (802)388-6361 Fax: (802)388-9010

J.A. McDONALD, INC.
 CONTRACTOR
 LYNDON CENTER, VERMONT

STATE OF VERMONT AGENCY OF TRANSPORTATION
 COUNTY OF ESSEX

TOWN OF BRIGHTON
 ROUTE NO. VT 105, MINOR ARTERIAL
 BRIDGE NO.: 84 PROJECT NO.: ER STP 034-3(25)

DATE: OCT. 30, 2012
 SCALE: NOTED
 CHKD: B.C. DFTM: B.L.
 JOB NO: 23384-012
 DWG. NO: **AB3**

PRECAST ABUTMENT DETAILS