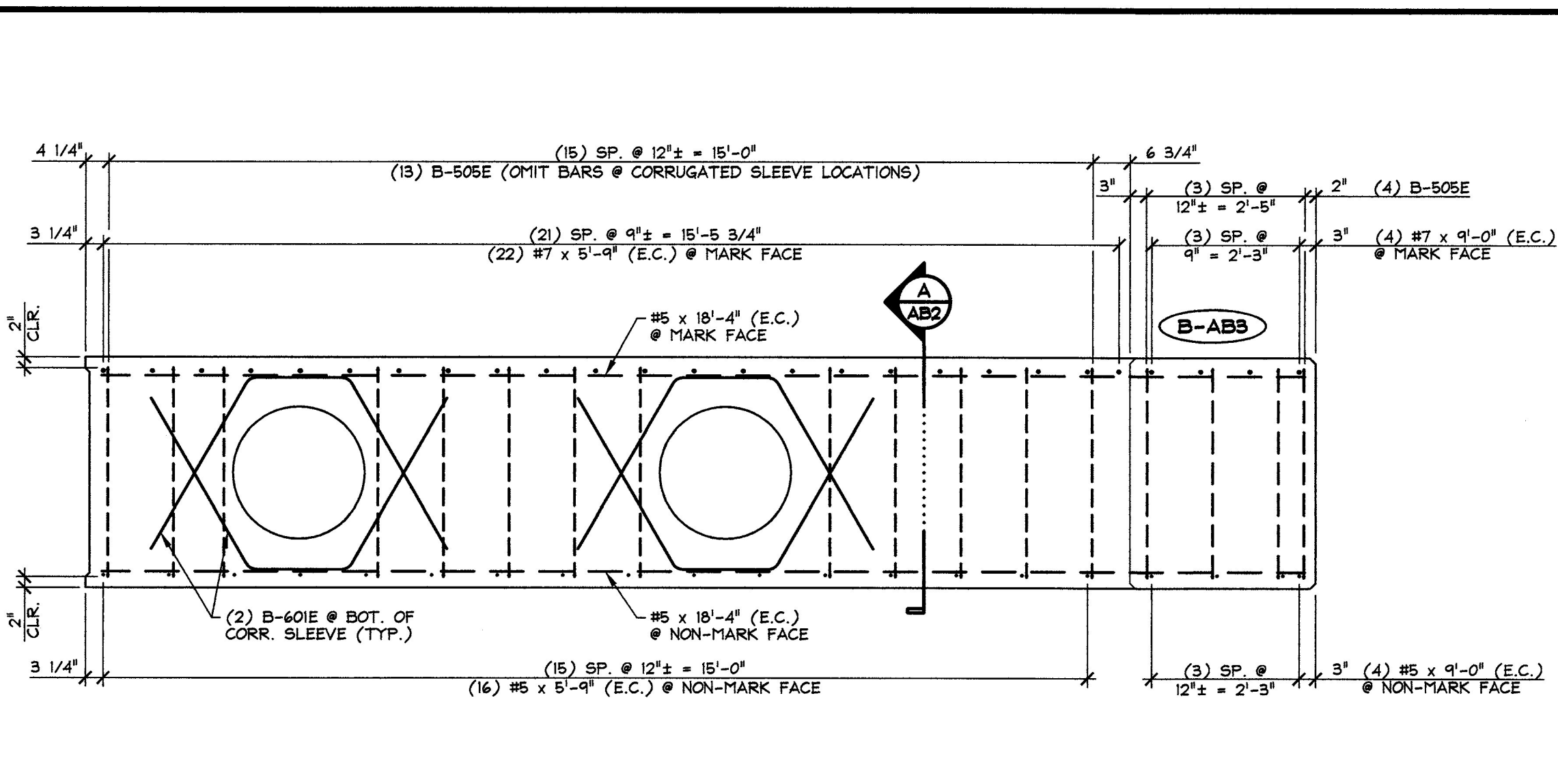
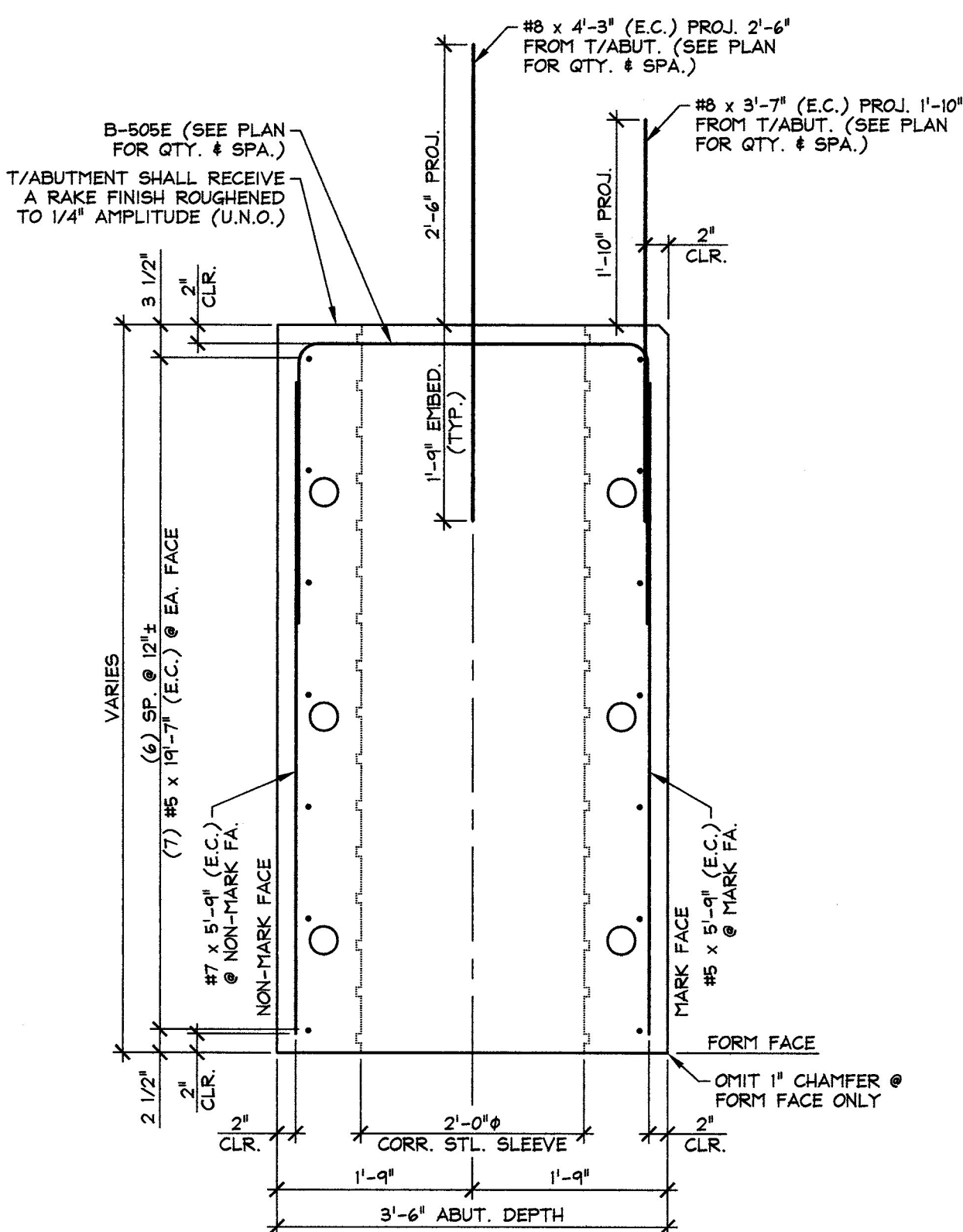


1 ABUTMENT DIMENSIONAL PLAN VIEW IN FORM
AB2 1/2" = 1'-0"

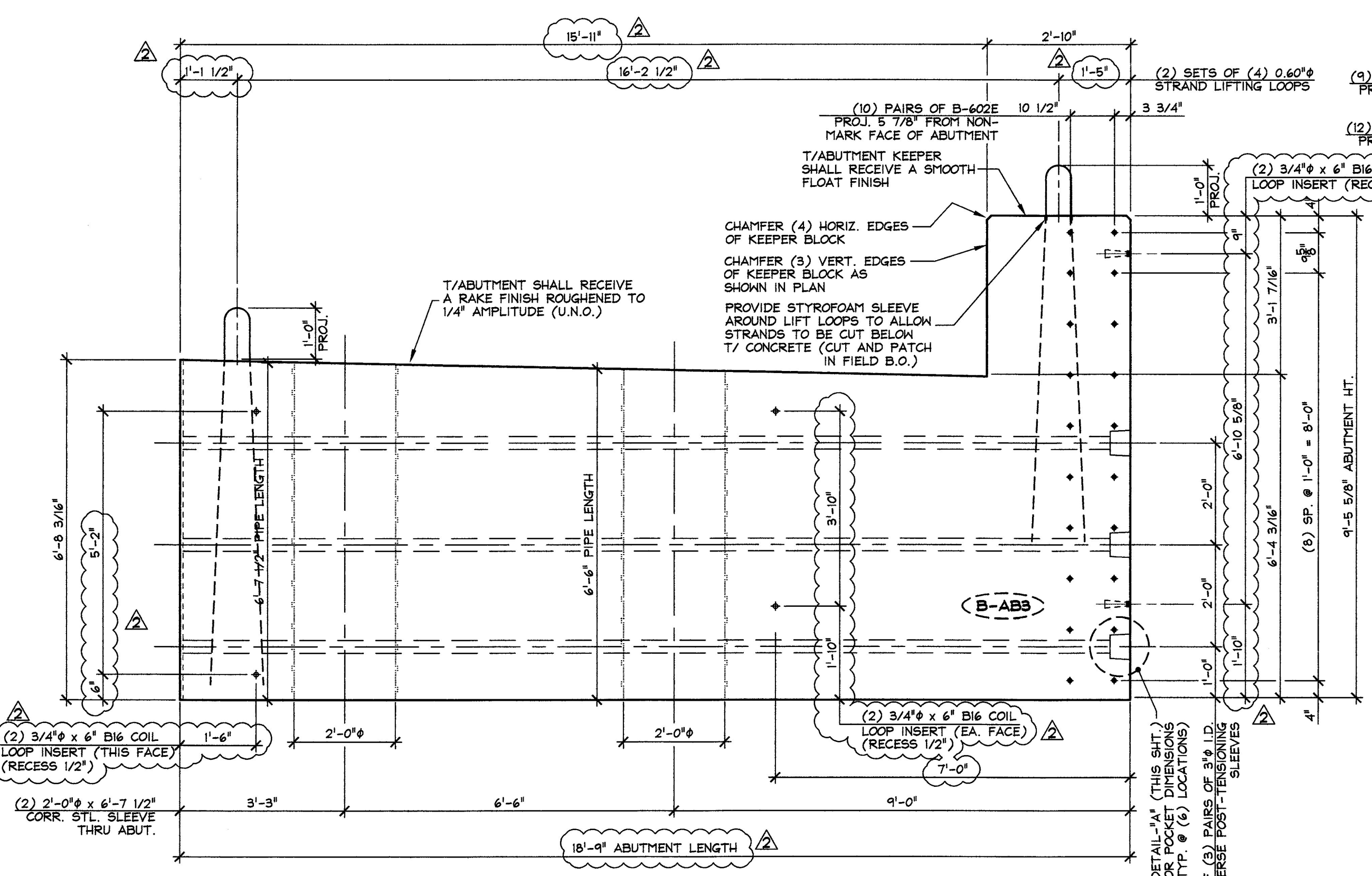


3 ABUTMENT REINFORCING PLAN VIEW IN FORM
AB2 1/2" = 1'-0"

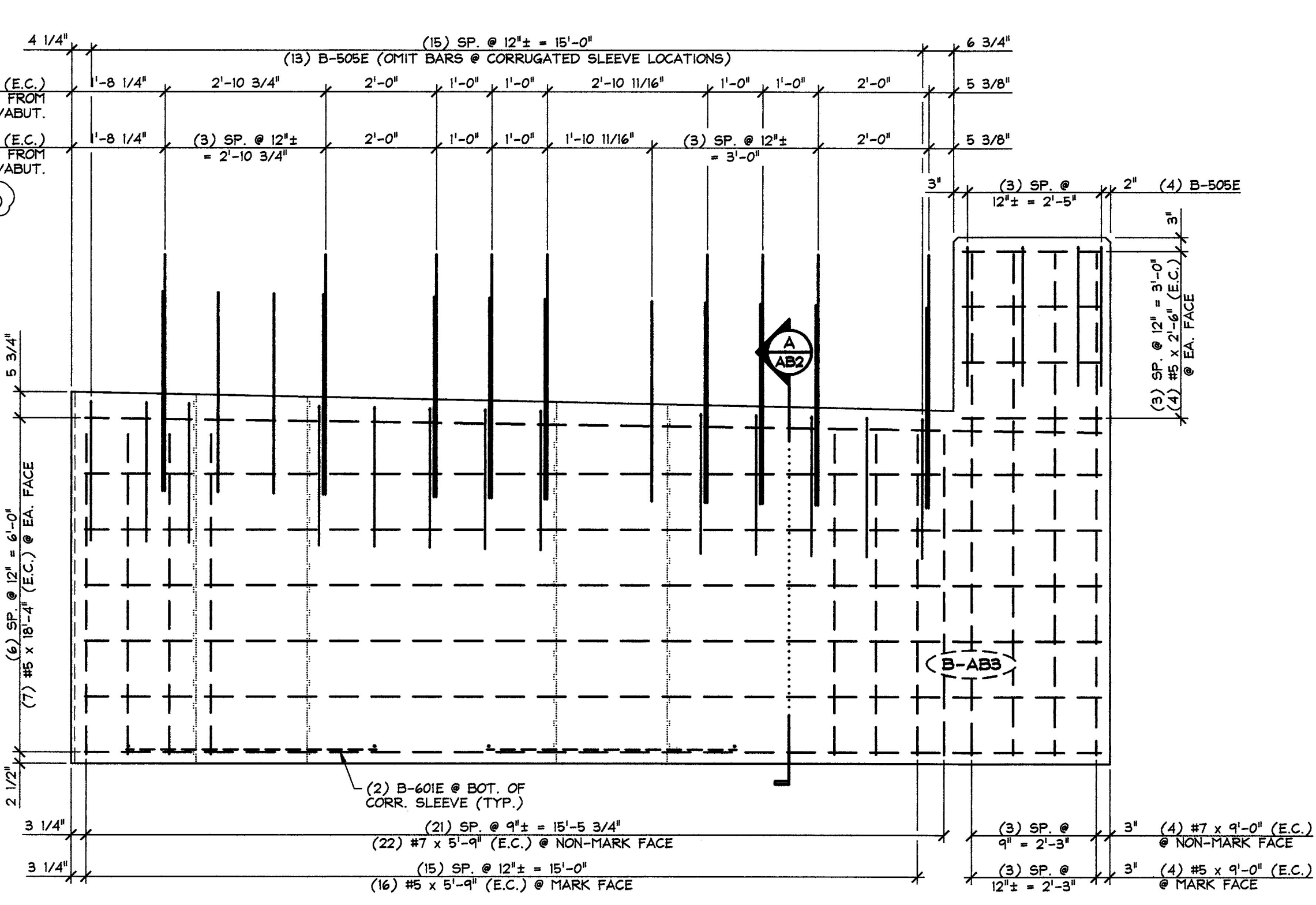


A ABUTMENT SECTION
AB2 3/4" = 1'-0"

SUBMITTED
JAN 9 2013
J.P. CARRARA & SONS, INC.
MIDDLEBURY, VT 05753

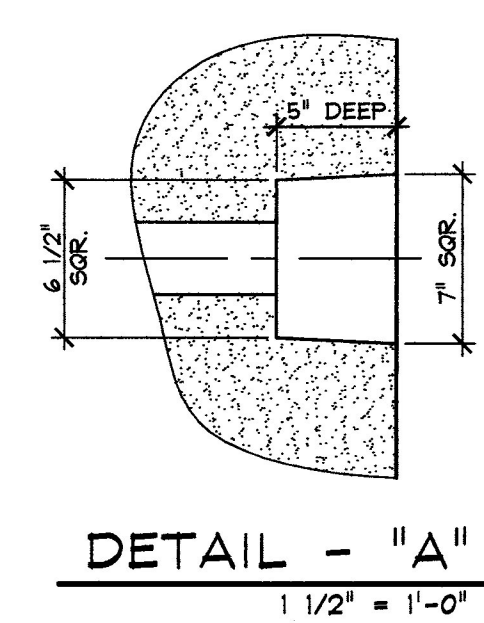


2 ABUTMENT DIMENSIONAL NON-MARK FACE ELEVATION
AB2 1/2" = 1'-0"



4 ABUTMENT REINFORCING NON-MARK FACE ELEVATION
AB2 1/2" = 1'-0"

SHOP NOTE:
ALL EDGES OF ABUTMENT SHALL RECEIVE A 1" CHAMFER (U.N.O.)



DETAIL - "A"
1 1/2" = 1'-0"

1-3-13 GENERAL REVISIONS
12-10-12 GENERAL REVISIONS

Vermont Agency of Transportation
RECEIVED
CK'D BY WDL OK'D BY JTS
January 9th, 2013
RESUBMIT APPROVED X
BY KMH DATE 1-10-13

MATERIAL LIST / ABUTMENT			
ITEM	MARK	DESCRIPTION	QTY.
1	B-505E	#5 BENT BAR (EPOXY COATED)	17
2		#5 x 2'-6" (EPOXY COATED)	8
3		#5 x 5'-9" (EPOXY COATED)	16
4		#5 x 9'-0" (EPOXY COATED)	4
5		#5 x 18'-4" (EPOXY COATED)	14
6			
7	B-601E	#6 BENT BAR (EPOXY COATED)	4
8	B-602E	#6 BENT BAR (EPOXY COATED)	20
9			
10		#7 x 5'-9" (EPOXY COATED)	22
11		#7 x 9'-0" (EPOXY COATED)	4
12			
13		#8 x 3'-7" (EPOXY COATED)	12
14		#8 x 4'-3" (EPOXY COATED)	9
15		3/4" x 6" BIG COIL INSERT (ELECTRO-PLATED FINISH)	8
16		2'-0" x 6'-7 1/2" CORRUGATED STEEL PIPE (GALV.)	1
17		2'-0" x 6'-6" CORRUGATED STEEL PIPE (GALV.)	1
18		SET OF (4) 0.60" x 270 KSI STRAND LIFTING LOOPS	2
19			
20			

J.P. CARRARA & SONS INC.
Precast & Prestress Manufacturer
2484 CASE STR. MIDDLEBURY, VERMONT 05753 Phone: (802)388-6361 Fax: (802)388-8010

J.A. McDONALD, INC.
CONTRACTOR
LYNDON CENTER, VERMONT

STATE OF VERMONT AGENCY OF TRANSPORTATION
COUNTY OF ESSEX

TOWN OF BRIGHTON
ROUTE NO. VT 105, MINOR ARTERIAL
BRIDGE NO.: 84 PROJECT NO.: ER STP 034-3(25)

DATE: OCT. 30, 2012
SCALE: NOTED
CHKD: B.C. DFTM: B.L.
JOB NO: 23984-012
DWG. NO: AB2

PRECAST ABUTMENT DETAILS