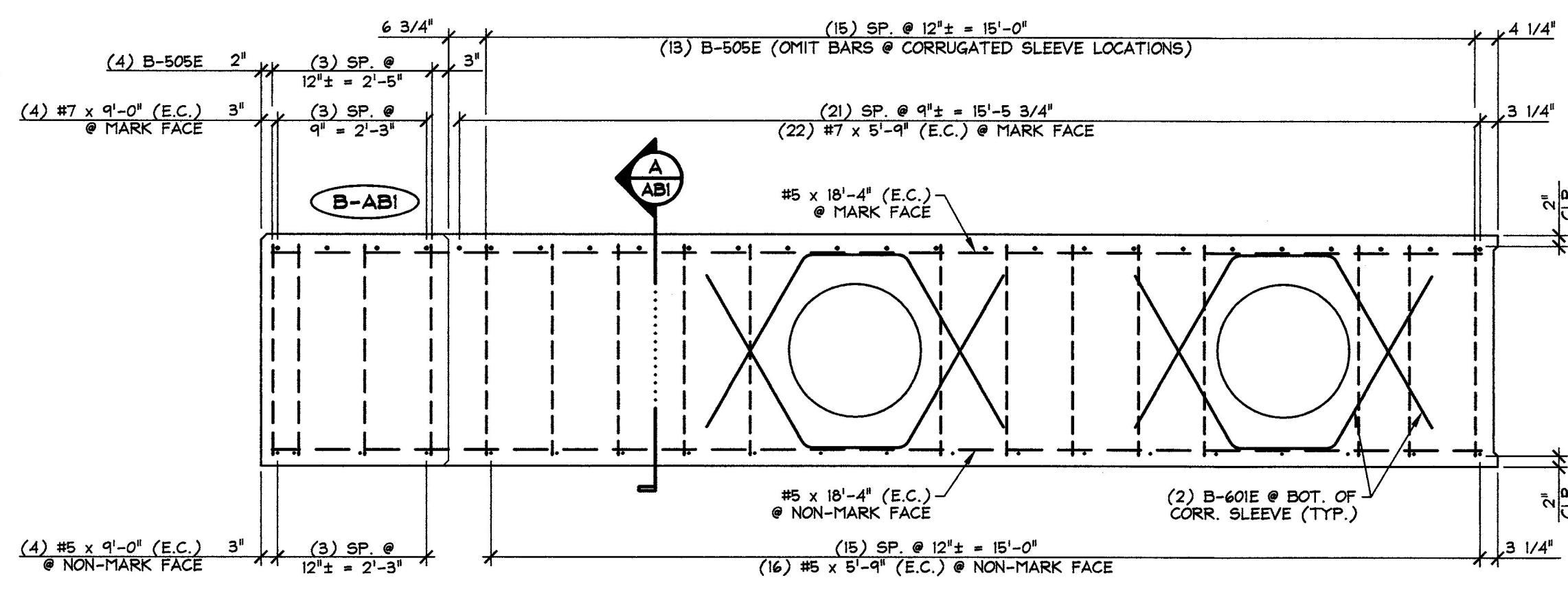
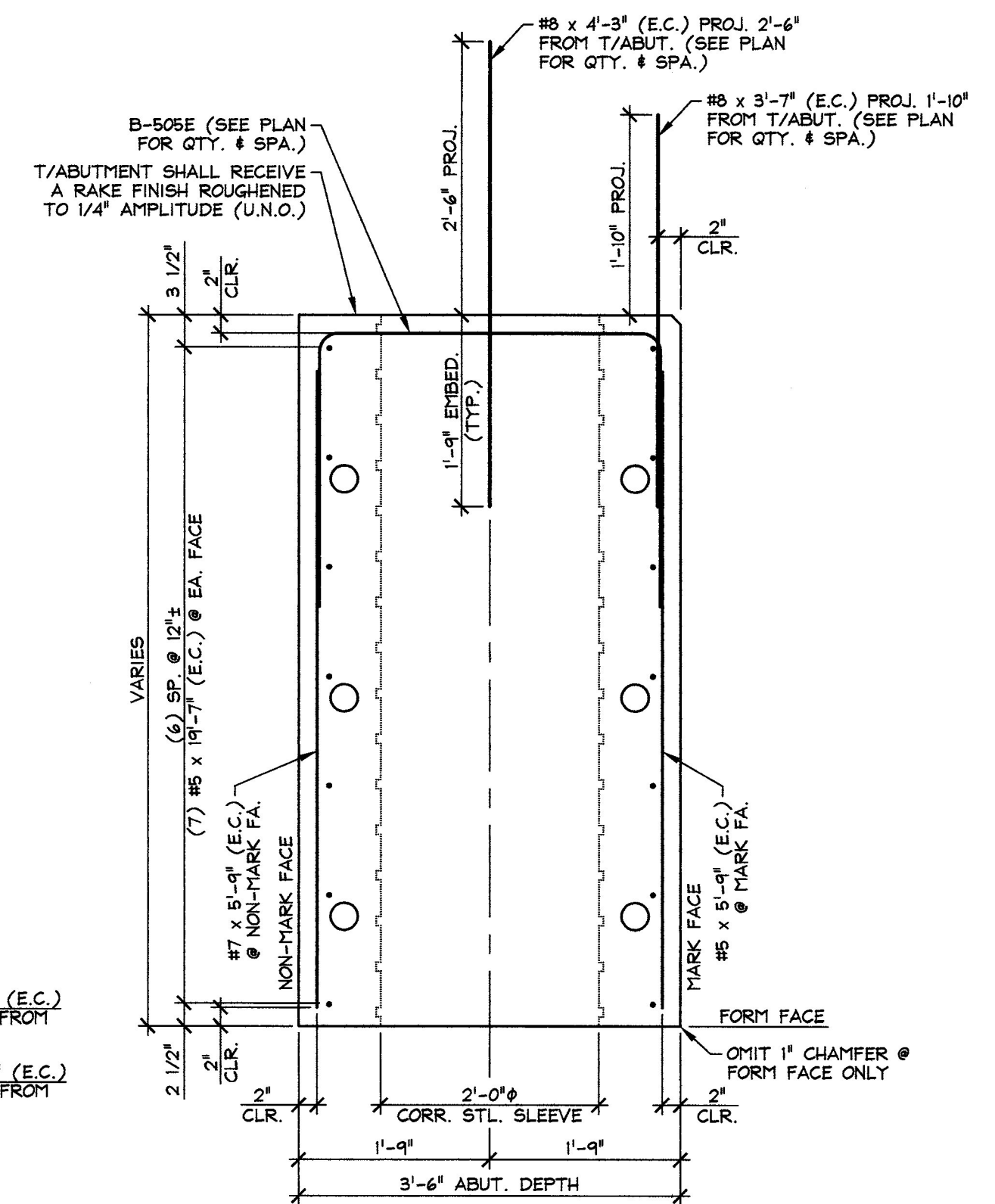


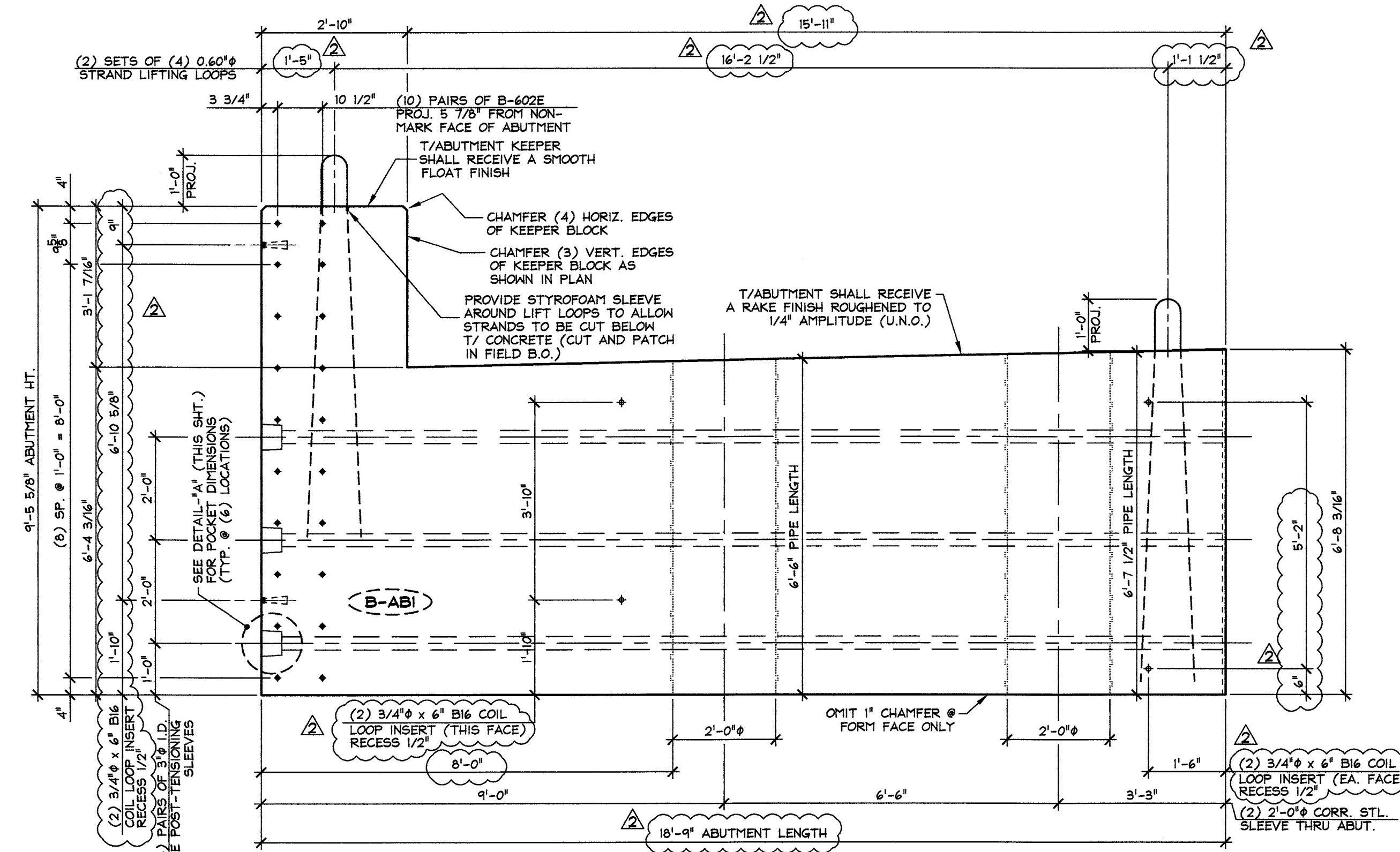
1 ABUTMENT DIMENSIONAL PLAN VIEW IN FORM
1/2" = 1'-0"



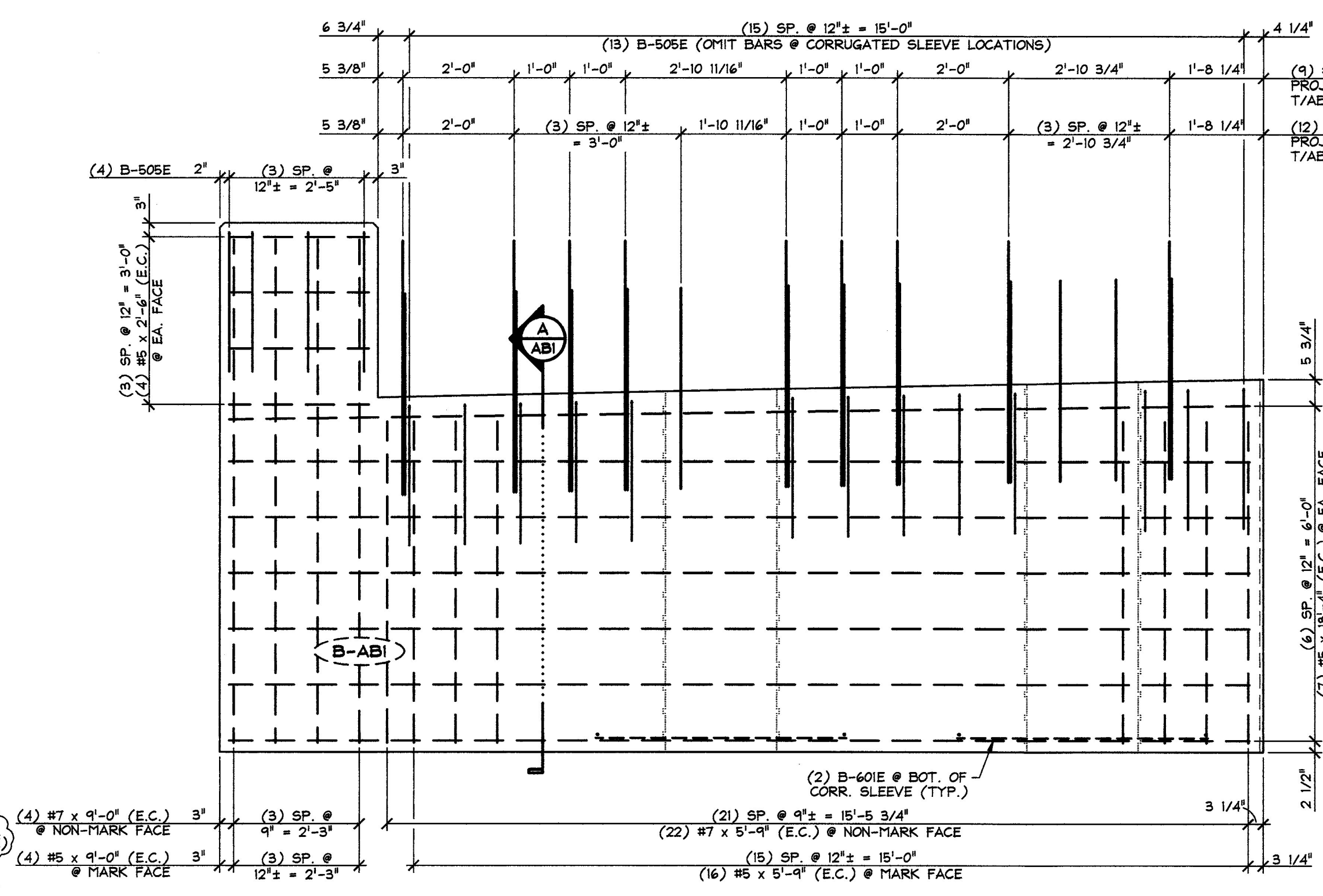
3 ABUTMENT REINFORCING PLAN VIEW IN FORM
1/2" = 1'-0"



A ABUTMENT SECTION
3/4" = 1'-0"

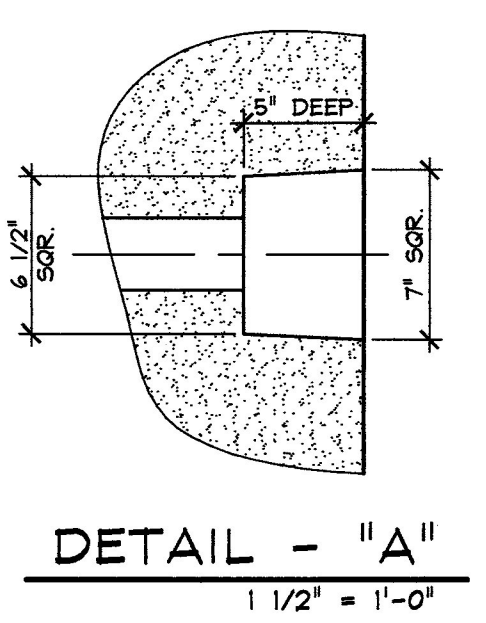


2 ABUTMENT DIMENSIONAL NON-MARK FACE ELEVATION
1/2" = 1'-0"



4 ABUTMENT REINFORCING NON-MARK FACE ELEVATION
1/2" = 1'-0"

SHOP NOTE:
ALL EDGES OF ABUTMENT SHALL
RECEIVE A 1" CHAMFER (U.N.O.)



1-3-13 GENERAL REVISIONS
12-10-12 GENERAL REVISIONS

APPROVAL STAMP:
RECEIVED
Vermont Agency of Transportation
CK'D BY WDL OK'D BY JTS
January 9th, 2013
RESUBMIT _____ APPROVED X
BY KMH DATE 1-10-13

J.P. CARRARA & SONS INC. Precast & Prestress Manufacturer 2464 ONE STR., MIDDLEBURY, VERMONT 05753 Phone: (802)388-6361 Fax: (802)388-9010		J.A. McDONALD, INC. CONTRACTOR LYNDON CENTER, VERMONT	
STATE OF VERMONT AGENCY OF TRANSPORTATION COUNTY OF ESSEX		DATE: OCT. 30, 2012	
TOWN OF BRIGHTON ROUTE NO. VT 105, MINOR ARTERIAL BRIDGE NO.: 84 PROJECT NO.: ER STP 034-3(25)		SCALE: NOTED	
PRECAST ABUTMENT DETAILS		CHKD: B.C. DFTM: B.L. JOB NO: 23384-012	
		DWG. NO: ABI	

MARK:	B-ABI	QTY.:	1	WT.:	31.15 T	VOL.:	15.38 cy
MATERIAL LIST / ABUTMENT							
ITEM	MARK	DESCRIPTION					QTY.
1	B-505E	#5 BENT BAR (EPOXY COATED)					17
2		#5 x 2'-6" (EPOXY COATED)					8
3		#5 x 5'-9" (EPOXY COATED)					16
4		#5 x 9'-0" (EPOXY COATED)					4
5		#5 x 18'-4" (EPOXY COATED)					14
6							
7	B-601E	#6 BENT BAR (EPOXY COATED)					4
8	B-602E	#6 BENT BAR (EPOXY COATED)					20
9							
10		#7 x 5'-9" (EPOXY COATED)					22
11		#7 x 9'-0" (EPOXY COATED)					4
12							
13		#8 x 3'-7" (EPOXY COATED)					12
14		#8 x 4'-3" (EPOXY COATED)					9
15		3/4" x 6" B16 COIL INSERT (ELECTRO-PLATED FINISH)					8
16		2'-0" x 6'-7 1/2" CORRUGATED STEEL PIPE (GALV.)					1
17		2'-0" x 6'-6" CORRUGATED STEEL PIPE (GALV.)					1
18		SET OF (4) 0.60" x 270 KSI STRAND LIFTING LOOPS					2
19							
20							

SUBMITTED
JAN 9 2013
J.P. CARRARA & SONS, INC.
MIDDLEBURY, VT 05753