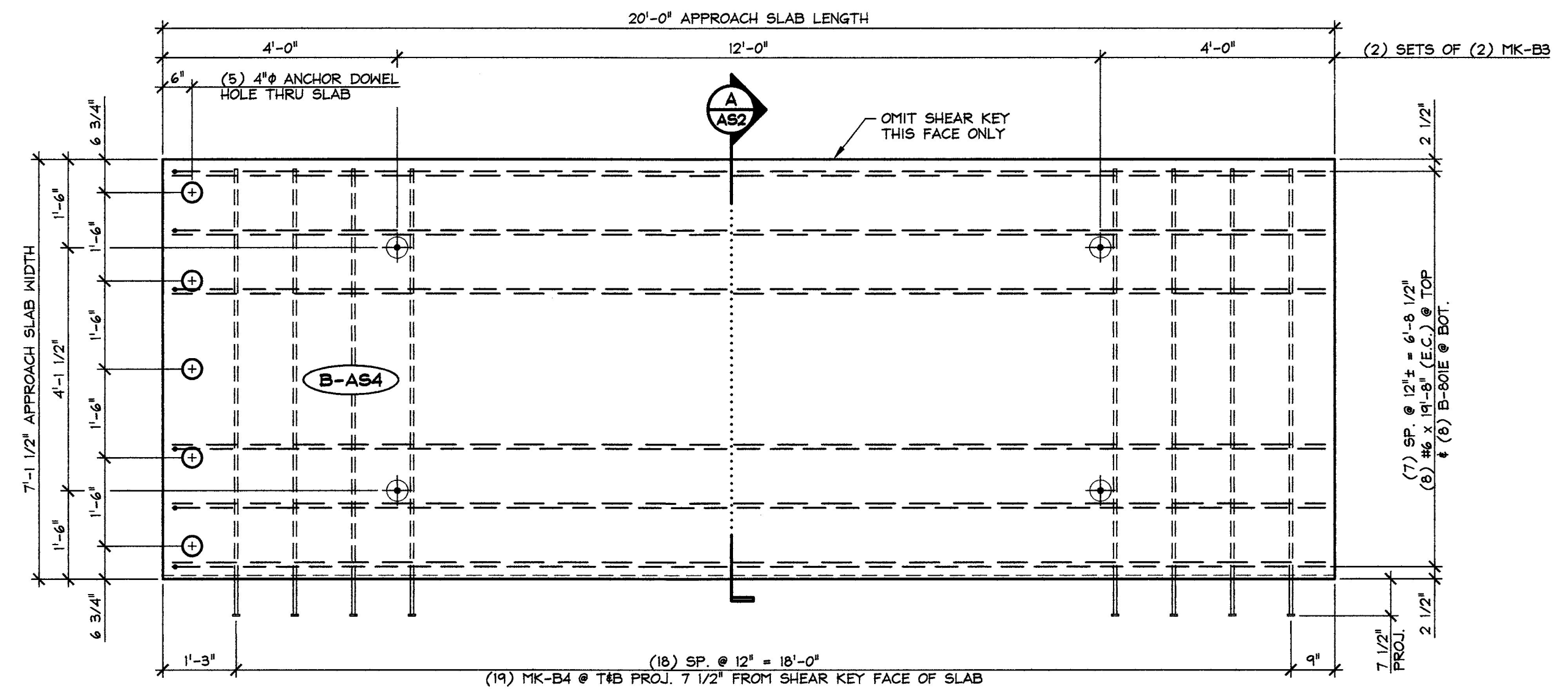
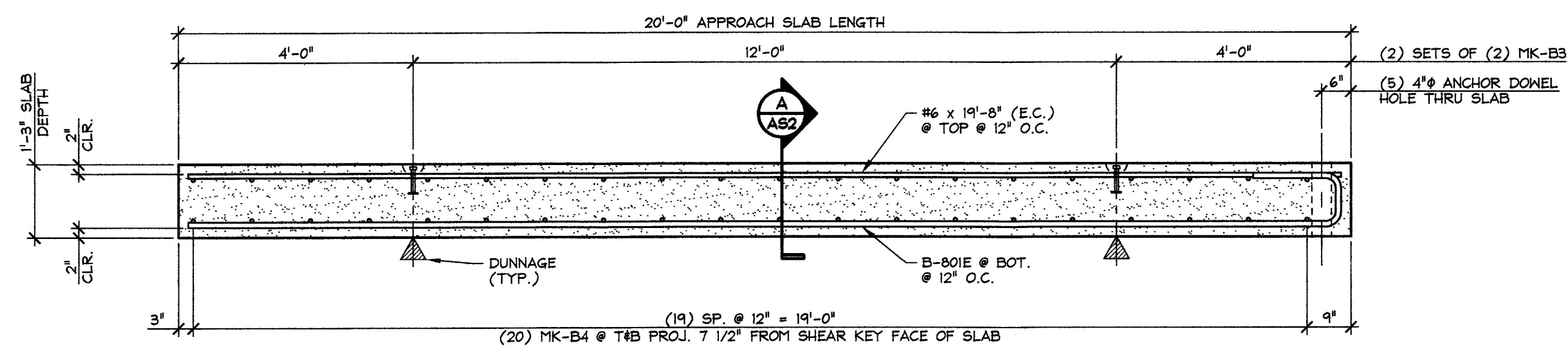


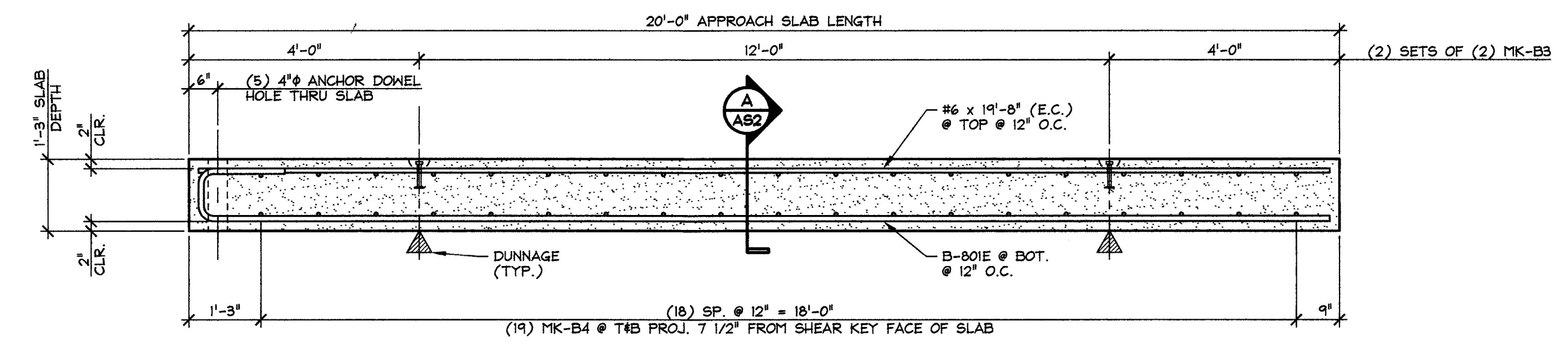
1 PLAN VIEW IN FORM
AS2 1/2" = 1'-0"



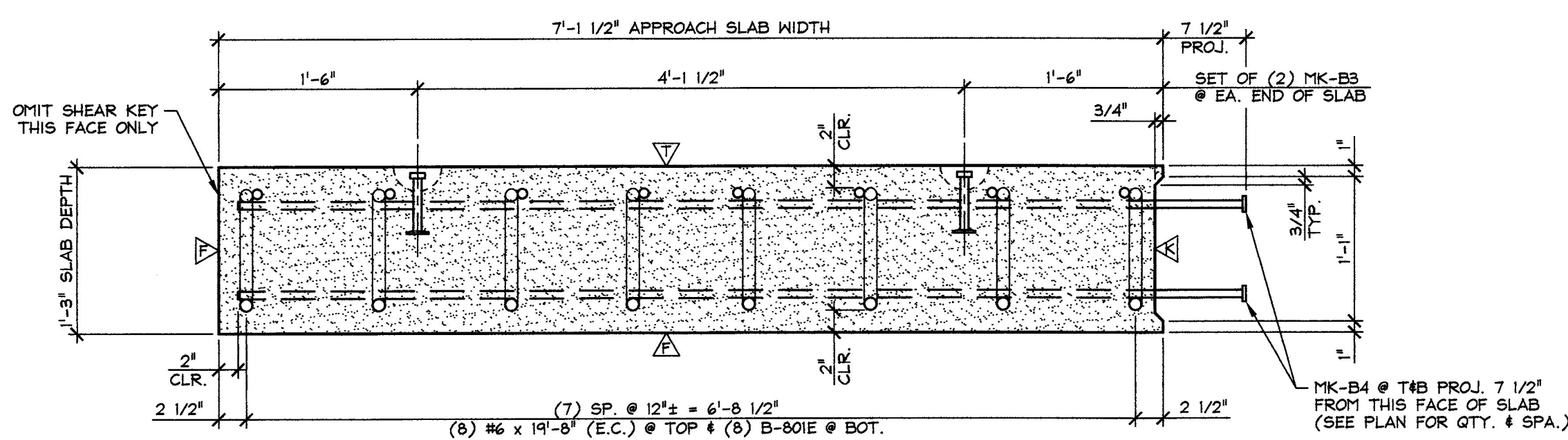
3 PLAN VIEW IN FORM
AS2 1/2" = 1'-0"



2 ELEVATION
AS2 1/2" = 1'-0"



4 ELEVATION
AS2 1/2" = 1'-0"



A APPROACH SLAB SECTION
AS2 1" = 1'-0"

▲ DENOTES FORM FINISH
▲ DENOTES FLOAT FINISH
▲ DENOTES BLAST FINISH

SUBMITTED
JAN 9 2013
J. P. CARRARA & SONS, INC.
MIDDLEBURY, VT 05753

MARK: B-AS3	QTY.: 2	WT.: 13.26 T	VOL.: 6.55 cy	
MARK: B-AS4	QTY.: 2	WT.: 13.26 T	VOL.: 6.55 cy	
MATERIAL LIST / APPROACH SLAB				
ITEM	MARK	DESCRIPTION	QTY./SLAB	
			B-AS3	B-AS4
1		#6 x 19'-8" (EPOXY COATED)	8	8
2				
3	B-801E	#6 BENT BAR (EPOXY COATED)	8	8
4				
5				
6				
7				
8	MK-B3	4T x 5 1/2" SWIFT LIFT LIFTER	4	4
9	MK-B4	#5 x 7'-7" HRC 555 HEADED REBAR (EPOXY COATED)	40	38
10				

Vermont Agency of Transportation
RECEIVED
CK'D BY WDL OK'D BY JTS
January 9th, 2013
RESUBMIT APPROVED X
BY KMH DATE 1-10-13

J.P. CARRARA & SONS INC.
Precast & Prestress Manufacturer
2484 DISE STR., MIDDLEBURY, VERMONT 05753 Phone:(802)388-6361 Fax:(802)388-9010

J.A. McDONALD, INC.
CONTRACTOR
LYNDON CENTER, VERMONT

STATE OF VERMONT AGENCY OF TRANSPORTATION
COUNTY OF ESSEX

DATE: OCT. 30, 2012
SCALE: NOTED

TOWN OF BRIGHTON
ROUTE NO. VT 105, MINOR ARTERIAL
BRIDGE NO.: 84 PROJECT NO.: ER STP 034-3(25)

CHKD: B.C. DFTM: B.L.
JOB NO: 23384-012

PRECAST APPROACH SLAB DETAILS
DWG. NO: AS2