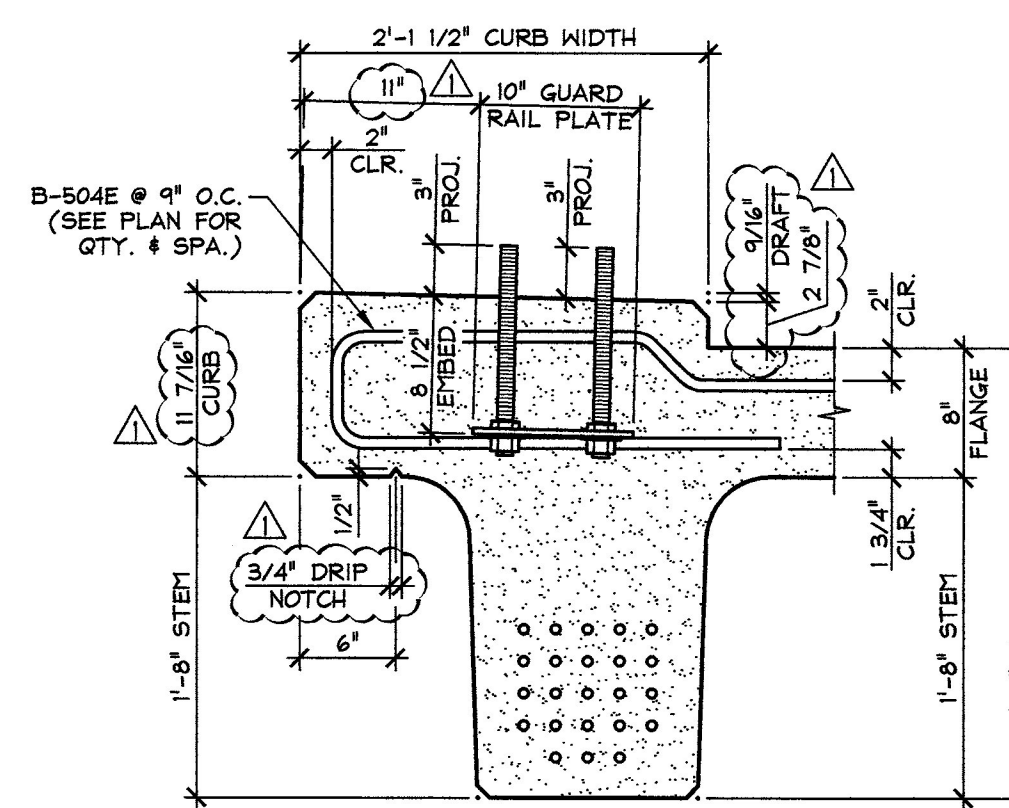
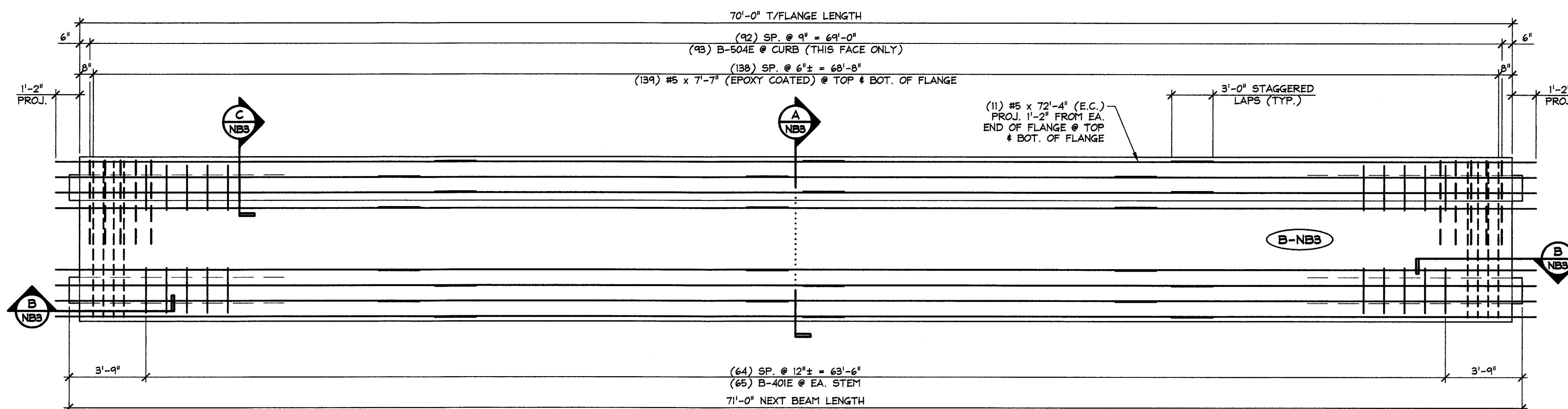


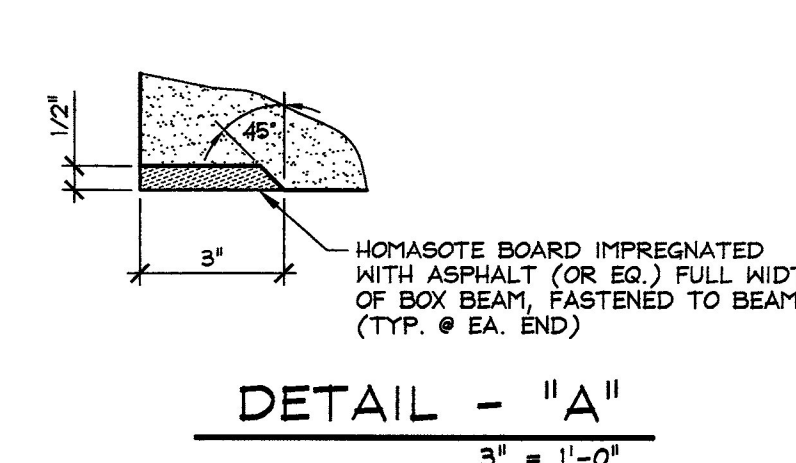
1 DIMENSIONAL PLAN VIEW IN FORM
NB3 1/4" = 1'-0"



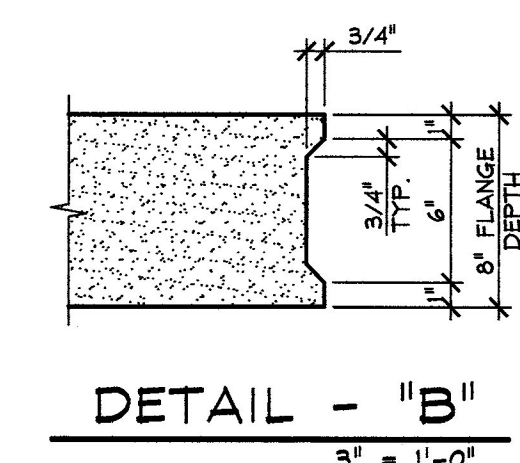
C CURB & GUARD RAIL ANCHOR
NB2 1" = 1'-0"
TYP. BEAM REINF. NOT SHOWN FOR CLARITY



2 REINFORCING PLAN VIEW IN FORM
NB3 1/4" = 1'-0"



DETAIL - "A"
3" = 1'-0"

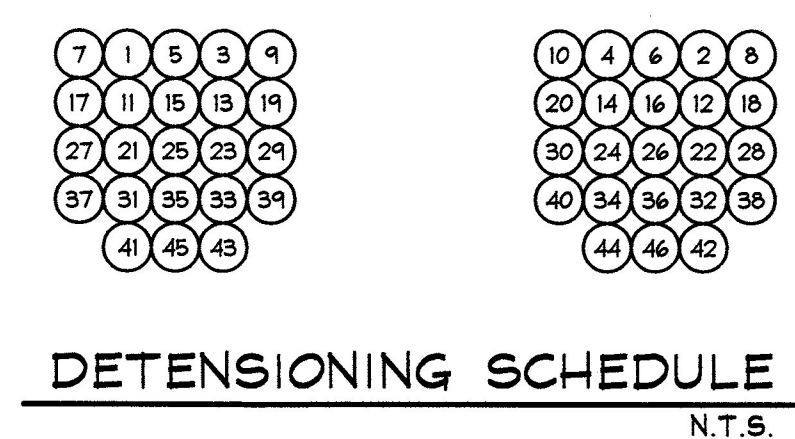


DETAIL - "B"
3" = 1'-0"

Vermont Agency of Transportation
RECEIVED
CK'D BY **WDL** OK'D BY **JTS**
January 9th, 2013
RESUBMIT **X** APPROVED
BY **KMH** DATE **1-10-13**

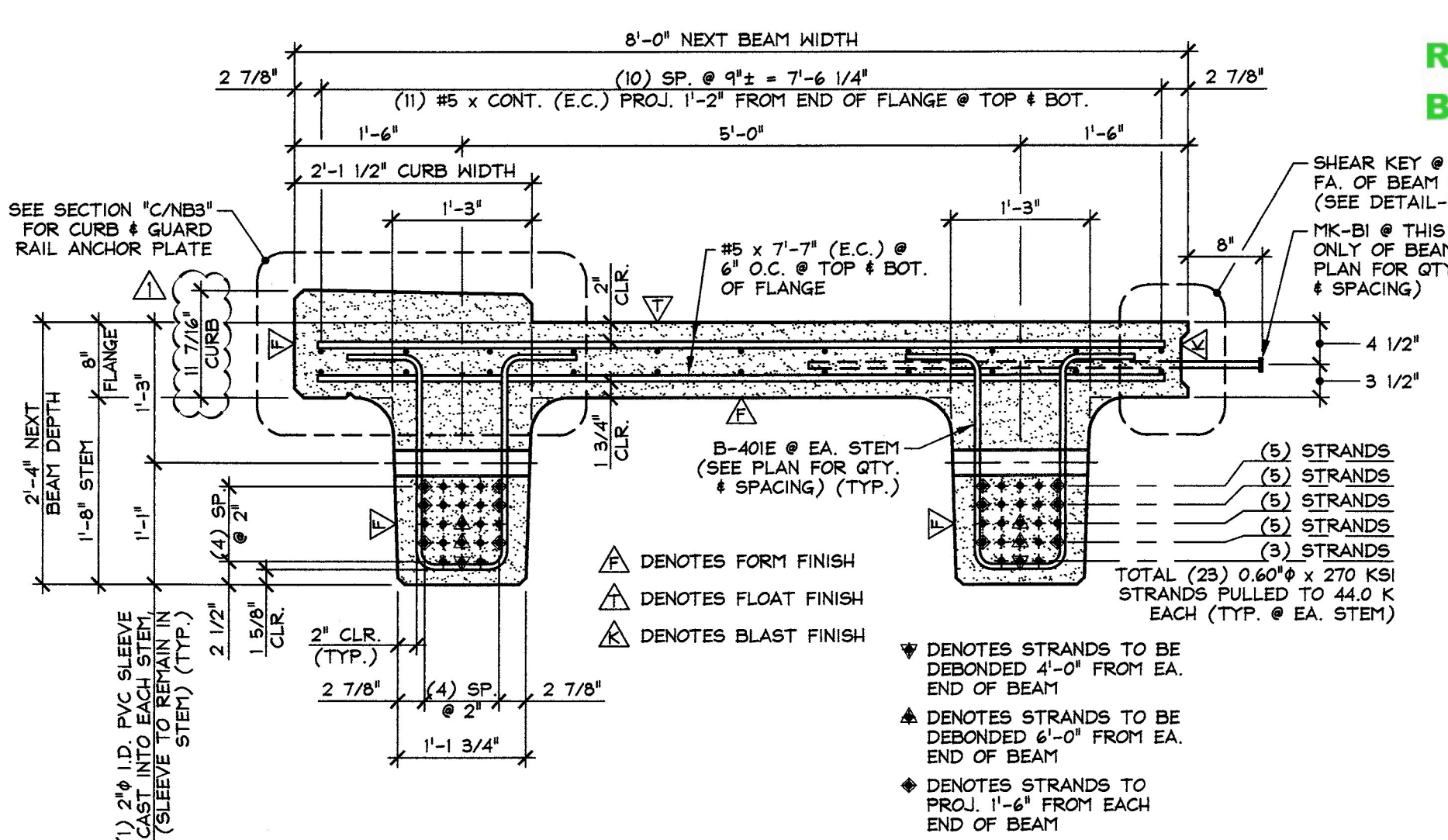
SUBMITTED
JAN 9 2013
J. P. CARRARA & SONS, INC.
MIDDLEBURY, VT 05753

MARK: B-NB3	QTY.: 1	WT.: 52.52 T	VOL.: 25.94 cy
MATERIAL LIST / BOX BEAM			
ITEM	MARK	DESCRIPTION	QTY.
1	B-401E	#4 BENT BAR (EPOXY COATED)	130
2		#4 x 7'-7" (EPOXY COATED)	18
3			
4	B-501E	#5 BENT BAR (EPOXY COATED)	8
5	B-502E	#5 BENT BAR (EPOXY COATED)	16
6	B-503E	#5 BENT BAR (EPOXY COATED)	32
7	B-504E	#5 BENT BAR (EPOXY COATED)	93
8		#5 x 7'-7" (EPOXY COATED)	282
9		#5 x 72'-4" (W/ (3) 3'-0" STAGGERED LAPS) (EPOXY COATED)	22
10			
11	MK-BI	#5 x 4'-11" HRC 555 HEADED REBAR (EPOXY COATED)	140
12		1/2" x 3" B16 COIL LOOP INSERT (ELECTRO-PLATED FINISH)	18
13		GUARD RAIL ANCHOR PLATE (GALV.)	8
14		SET OF (4) 0.60" x 270 KSI STRAND LIFTING LOOPS	4
15			

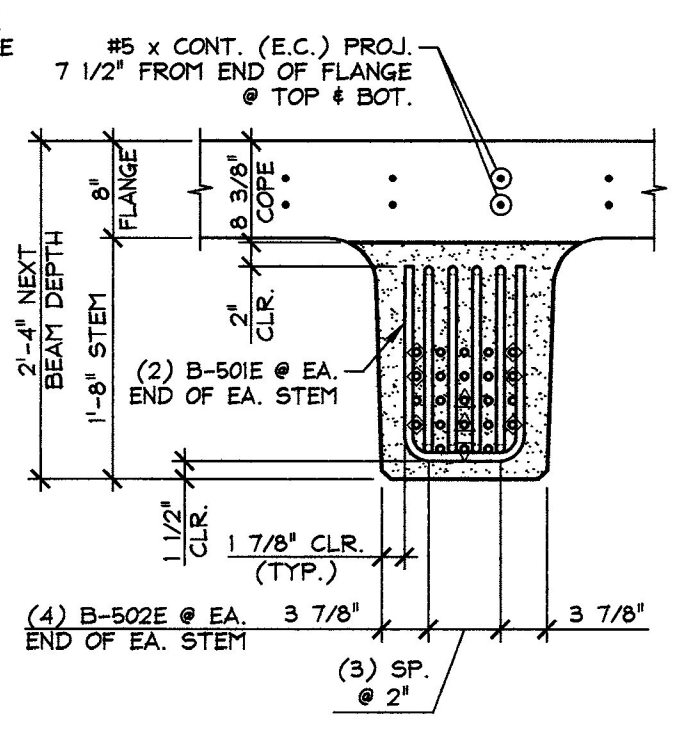


DETENSIONING SCHEDULE
N.T.S.

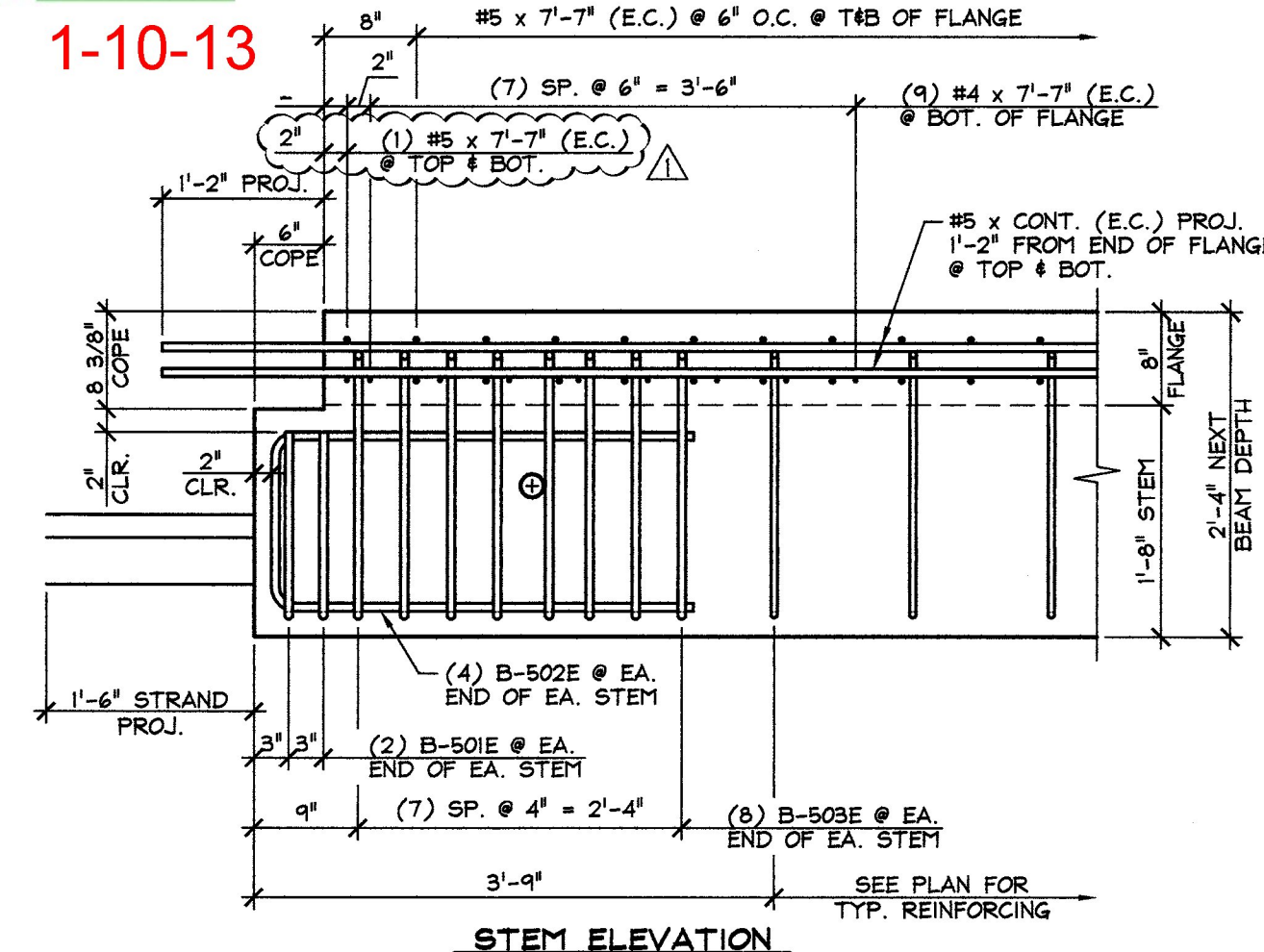
1-3-13 REVISED AS NOTED
12-10-12 REVISED AS NOTED



A DIMENSIONAL & REINFORCING SECTION
NB3 3/4" = 1'-0"



B END BLOCK STEM REINFORCING DETAILS
NB3 3/4" = 1'-0"



APPROVAL STAMP:

J.P. CARRARA & SONS INC.
Precast & Prestress Manufacturer
2464 CASE STR., MIDDLEBURY, VERMONT 05753 Phone: (802)388-6361 Fax: (802)388-9010

J.A. McDONALD, INC.
CONTRACTOR
LYNDON CENTER, VERMONT

STATE OF VERMONT AGENCY OF TRANSPORTATION
COUNTY OF ESSEX

TOWN OF BRIGHTON
ROUTE NO. VT 105, MINOR ARTERIAL
BRIDGE NO.: 84 PROJECT NO.: ER STP 034-3(25)

DATE: OCT. 30, 2012
SCALE: NOTED
CHKD: B.C. DFTM: B.L.
JOB NO: 23984-012
DWG. NO: **NB3**

PRESTRESSED NEXT BEAM DETAILS