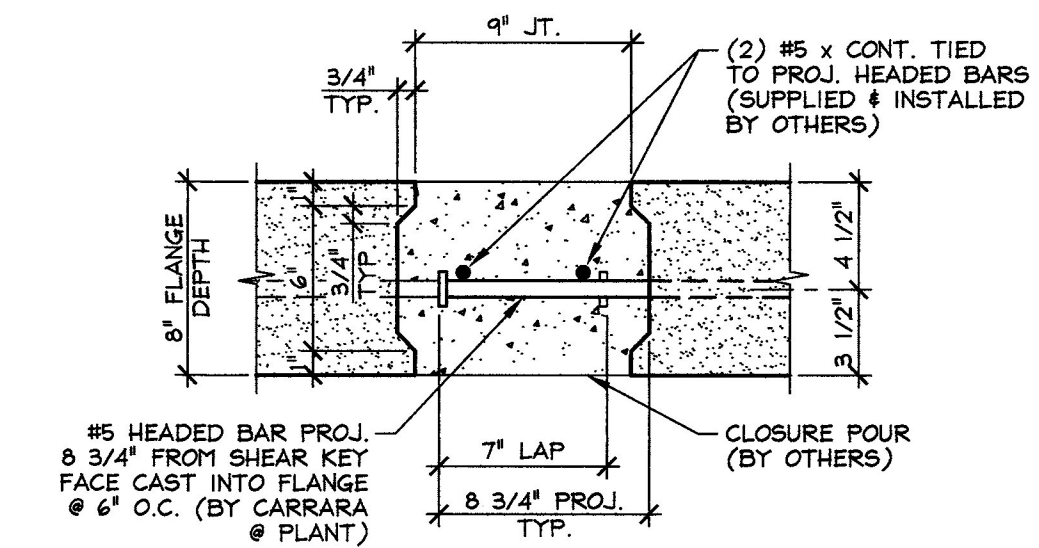
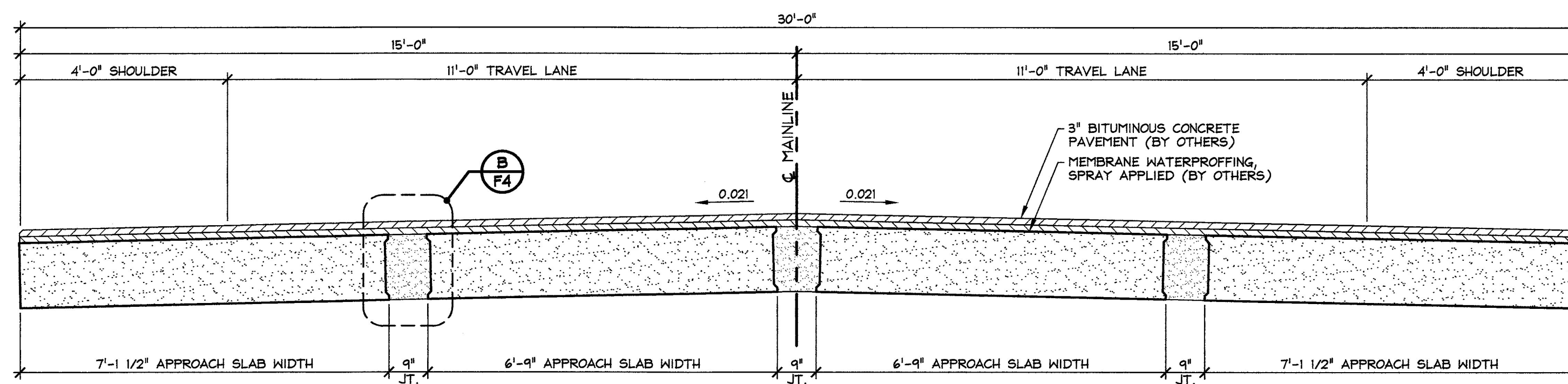


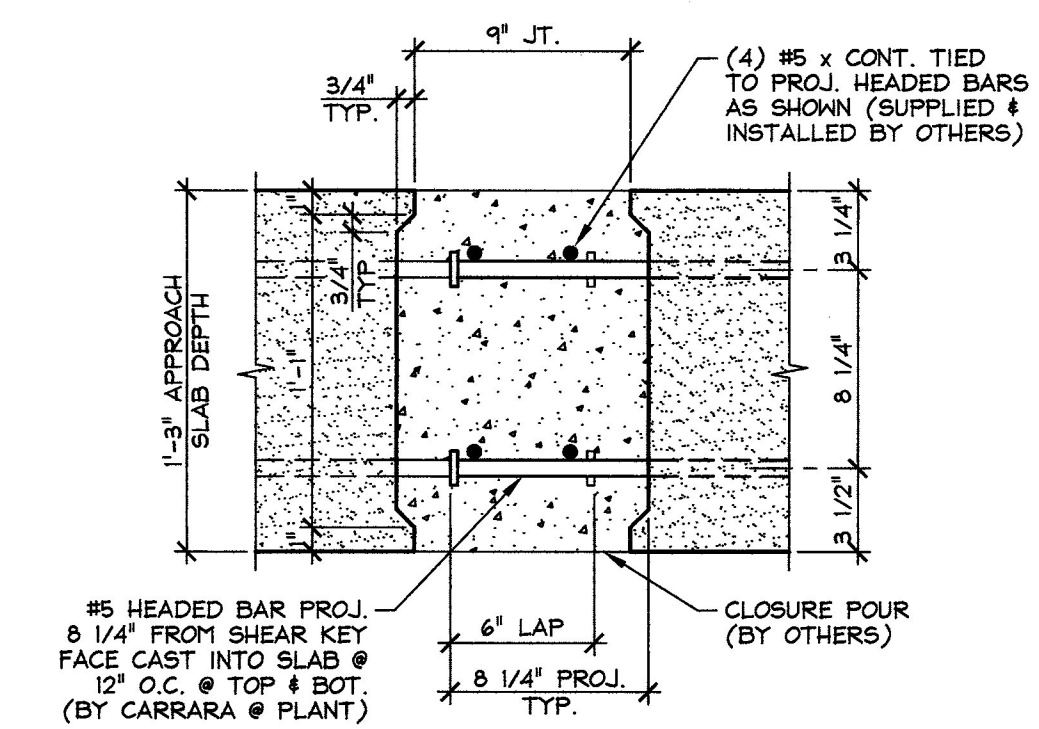
1 NEXT BEAM TRANSVERSE SECTION  
F4 1/2" = 1'-0"



A NEXT BEAM CLOSURE POUR  
F4 1 1/2" = 1'-0"



2 APPROACH SLAB TRANSVERSE SECTION  
F4 1/2" = 1'-0"



B APPROACH SLAB CLOSURE POUR  
F4 1 1/2" = 1'-0"

12-10-12 REVISE GUARD RAIL LOCATIONS

Vermont Agency of Transportation  
**RECEIVED**  
CK'D BY WDL OK'D BY JTS  
January 9th, 2013  
RESUBMIT APPROVED X  
BY KMH DATE 1-10-13

SUBMITTED  
JAN 9 2013  
J.P. CARRARA & SONS, INC.  
MIDDLEBURY, VT 05753

|  |   |
|--|---|
| J.P. CARRARA & SONS INC.<br>Precast & Prestress Manufacturer<br>244 GAZE STR., MIDDLEBURY, VERMONT 05753 Phone: (802)388-6361 Fax: (802)388-9010 | J.A. McDONALD, INC.<br>CONTRACTOR<br>LYNDON CENTER, VERMONT |
| STATE OF VERMONT AGENCY OF TRANSPORTATION<br>COUNTY OF ESSEX   | DATE: OCT. 30, 2012<br>SCALE: NOTED                         |
| TOWN OF BRIGHTON<br>ROUTE NO. VT 105, MINOR ARTERIAL<br>BRIDGE NO.: 84 PROJECT NO.: ER STP 034-3(25)   | CHKD: B.C. DFTM: B.L.<br>JOB NO: 23384-012                  |
| TRANSVERSE SECTIONS & DETAILS  | DWG. NO: F4   |

F:\VT-Bridges\23384-12 Brighton\23384-F4.dwg, 12/10/2012 4:02:04 PM