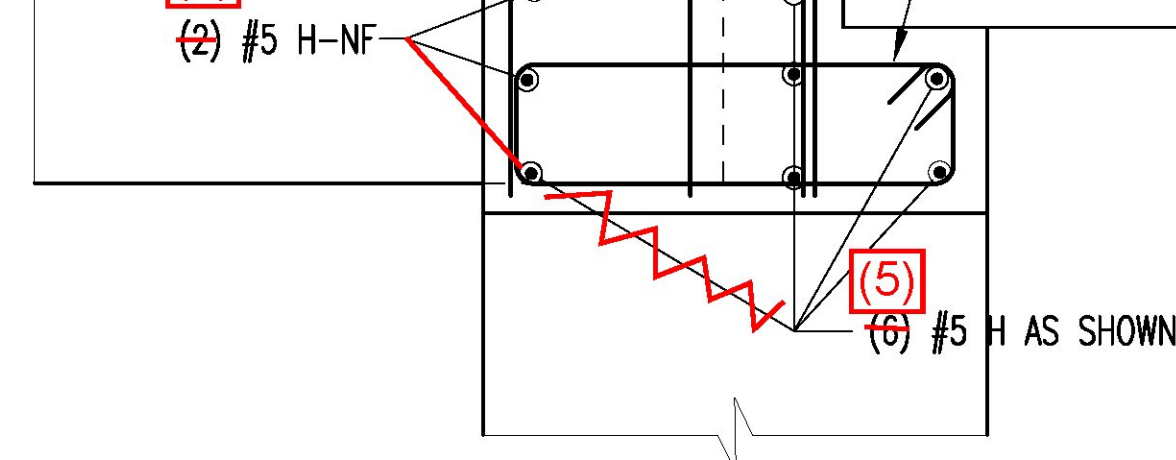
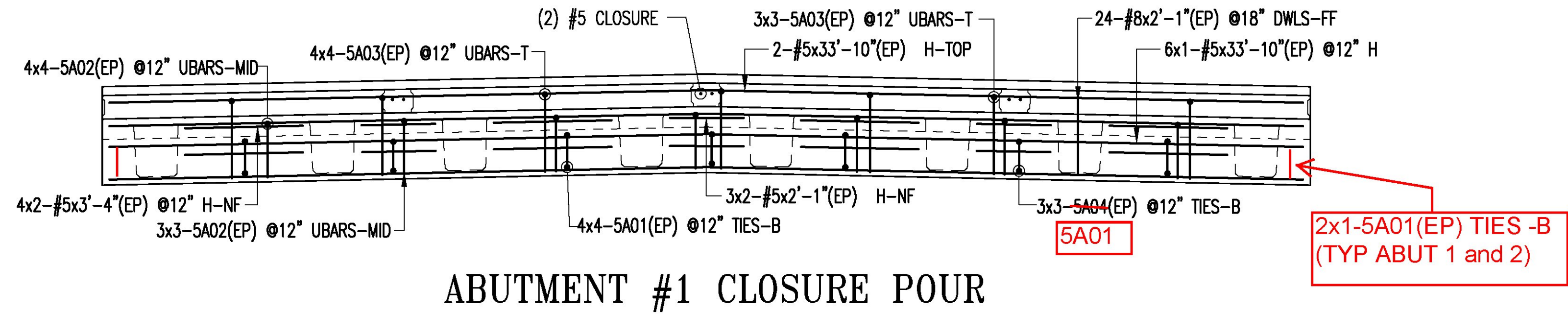


APPROACH SLAB CLOSURE

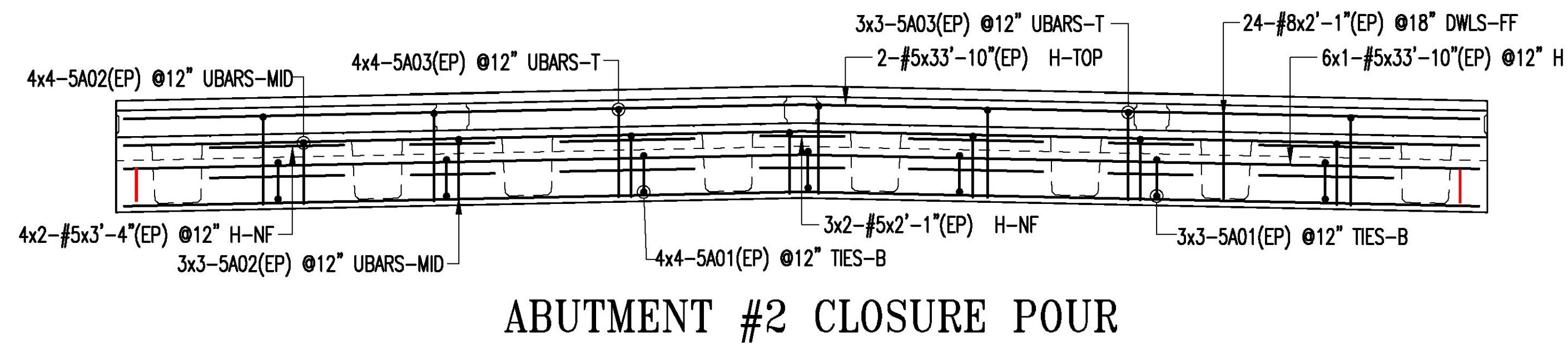
MAIN DECK CLOSURE



ABUTMENT CLOSURE POUR SECTION



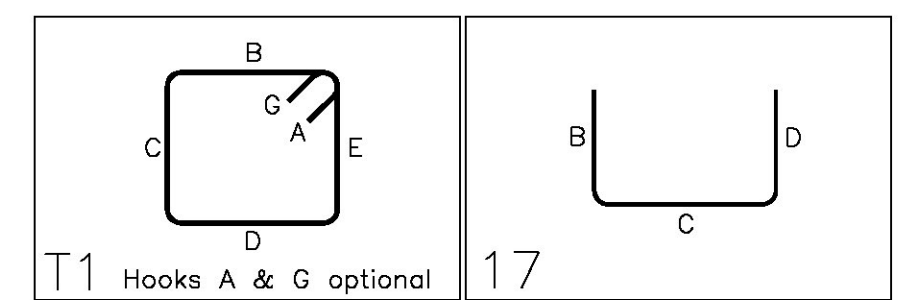
ABUTMENT #1 CLOSURE POUR



ABUTMENT #2 CLOSURE POUR

Drawing Sheet : R01

Bar Mark	Qty	Size	Total Length	Type	'A'	'B'	'C'	'D'	'E'	'F'	'G'	'H'	'I'	'J'	'K'	'L'	'M'
5A01	4	#5	9'-0"	T1	5 1/2"	11 1/2"	3'-1"	11 1/2"	3'-1"								
5A02	50	#5	5'-2"	T1		1'-6 1/2"	2'-1"	1'-6 1/2"									
5A03	50	#5	5'-4"	T1		2'-2 1/2"	11"	2'-2 1/2"									
5A04	9	#5	8'-10"	T1	5 1/2"	10 1/2"	3'-1"	10 1/2"	3'-1"								



Vermont Agency of Transportation
RECEIVED

CK'D BY WDL OK'D BY GML

January 17, 2013

RESUBMIT NO Approved AsNoted
BY KMH DATE 01/22/13

1	APPROVAL PRINT	01/14/13	CPS
No.	Description	Date	By
Revisions and Issue Record			
The full intent and purpose of this drawing is the placing of reinforcing steel bars ONLY. It is NOT to be used as a means of communication between the Architect, Engineer, Contractor or any other Sub-trades.			
THIS DRAWING IS NOT TO BE SCALED.			
DETAILED AT:			
BARKER STEEL LLC <small>a HarrisRebar company</small>		CANAAN NEW HAMPSHIRE	
Project: BRIGHTON ER STP 034-(25) BRIGHTON VT 05451			
Drawing: POUR CLOSURES REINFORCEMENT			
Customer: J.A. MCDONALD			
Engineer:			
Refer to Release:			
Date	Drawn	Chkd.	JOB No.
01/14/13	CPS		10049037
			Dwg. No.
			R01