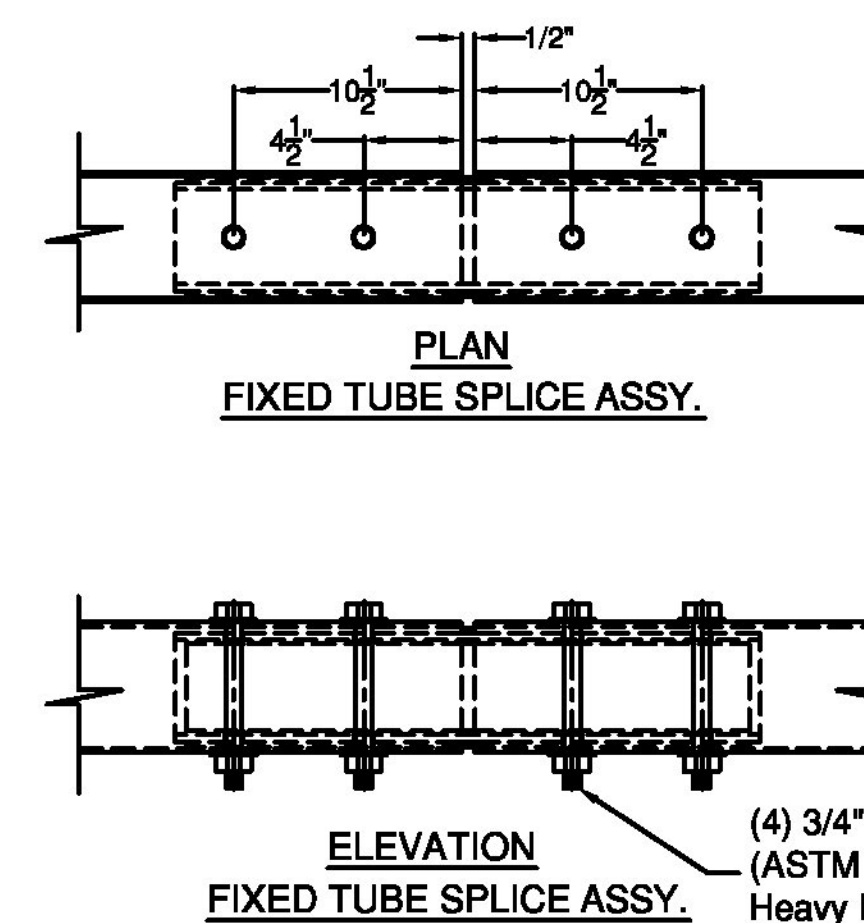
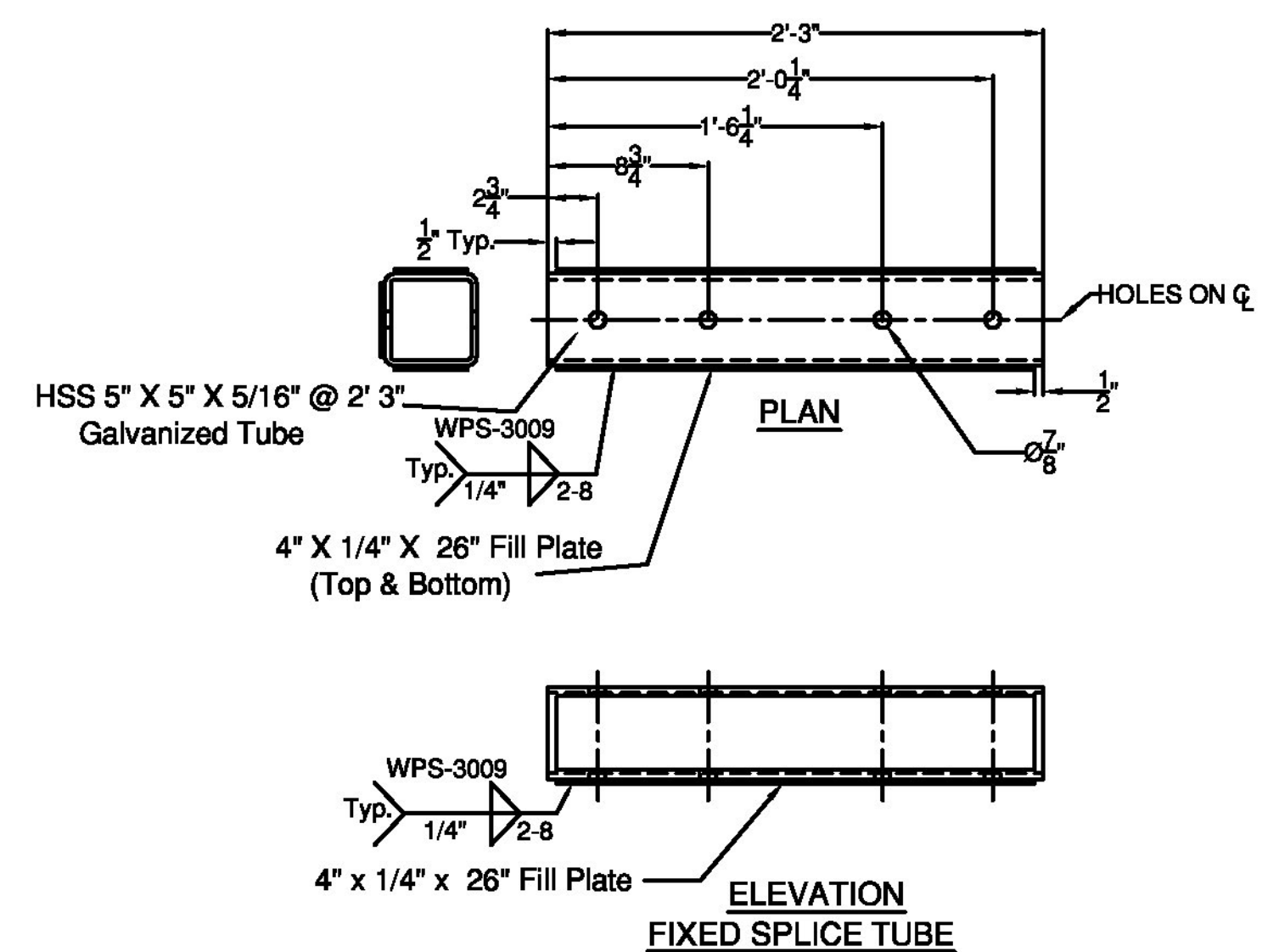
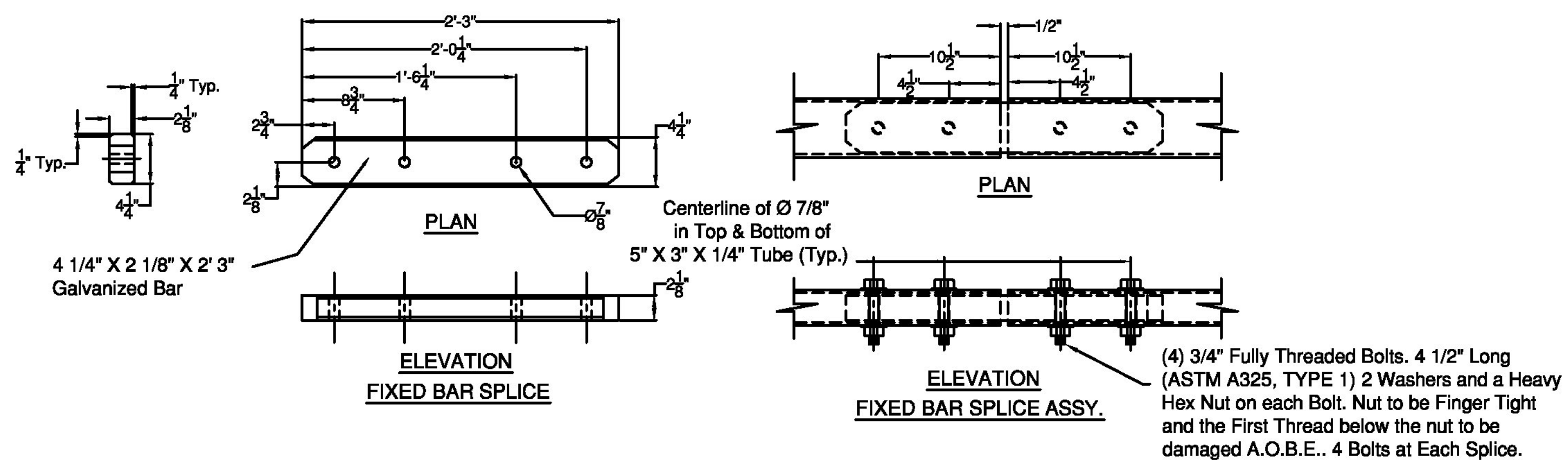
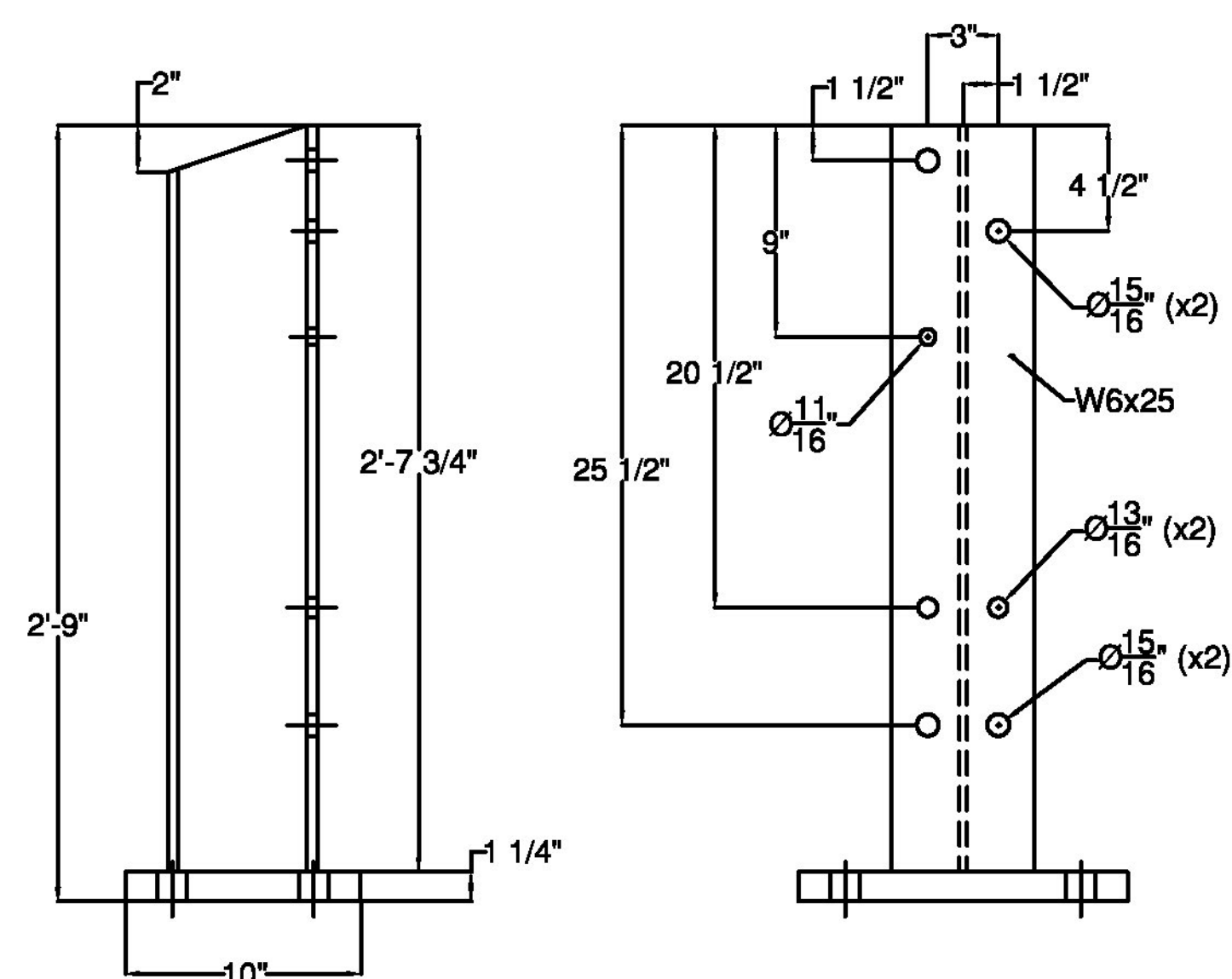
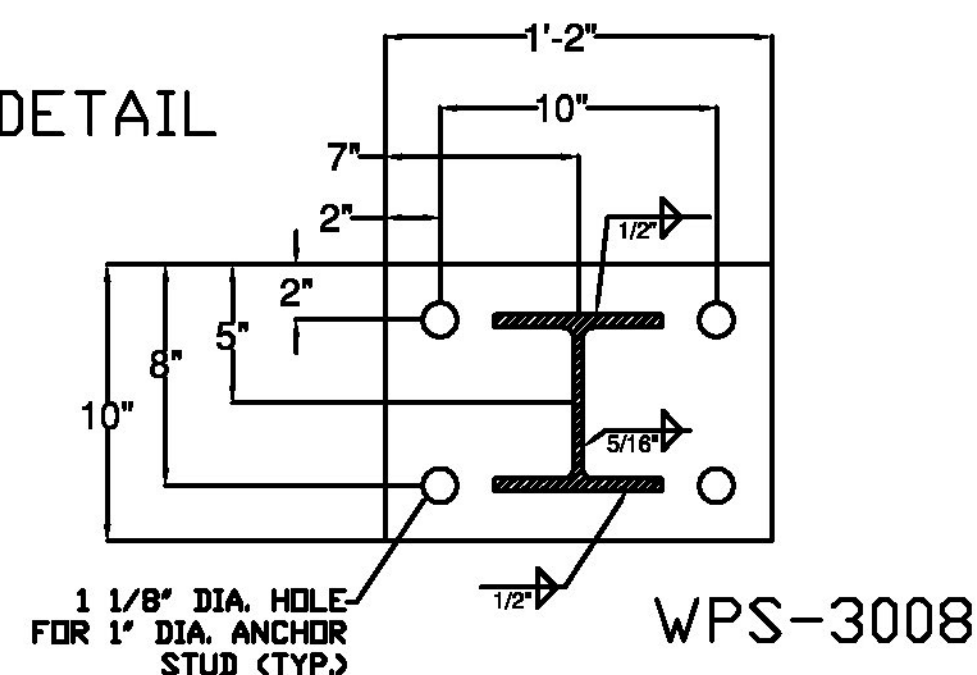


SPLICE BAR - FIXED



SPLICE TUBE - FIXED

BRIDGE POST DETAIL



ITEM #: 525.335

Vermont Agency of Transportation

RECEIVED

CK'D BY R. Klinefelter OK'D BY J. Salvatori

February 14, 2013

RESUBMIT Approved X

BY K. Higgins DATE 02/19/13

F.R. LAFAYETTE, P.O. 27399

SHEET 2 OF 2

BRIDGE RAIL DETAILS SHEET

PROJECT: BRIGHTON, PROJECT # ER STP 034-3(25), MINOR ARTERIAL, BRIDGE # 84
TOWN OF BRIGHTON, ESSEX COUNTY, VT.

R NO.	DATE	DESCRIPTION	BY	R NO.	DATE	DESCRIPTION	BY
E 1	12/26/12	REVISED PER 12/26/12 EMAIL	E.P.	E 3	1/30/13	MADE IN MP TO 1 1/8" PER KAMA 1/20/13	E.P.
V 2	1/9/13	REVISED PER 1/9/13 EMAIL	E.P.	V			

DRAWN	E.P.	12/03/12
CHECKED	D.L.	12/03/12
APPROVED		
SCALE	SCHEMATIC	
DRAWING NO. F.R. LAFAYETTE BRIGHTON		

ELDERLEE, INC.
OAKS CORNERS, NEW YORK 14518
E-Mail: dlong@elderlee.com
Tel: 315-789-6670 Fax: 315-789-6615