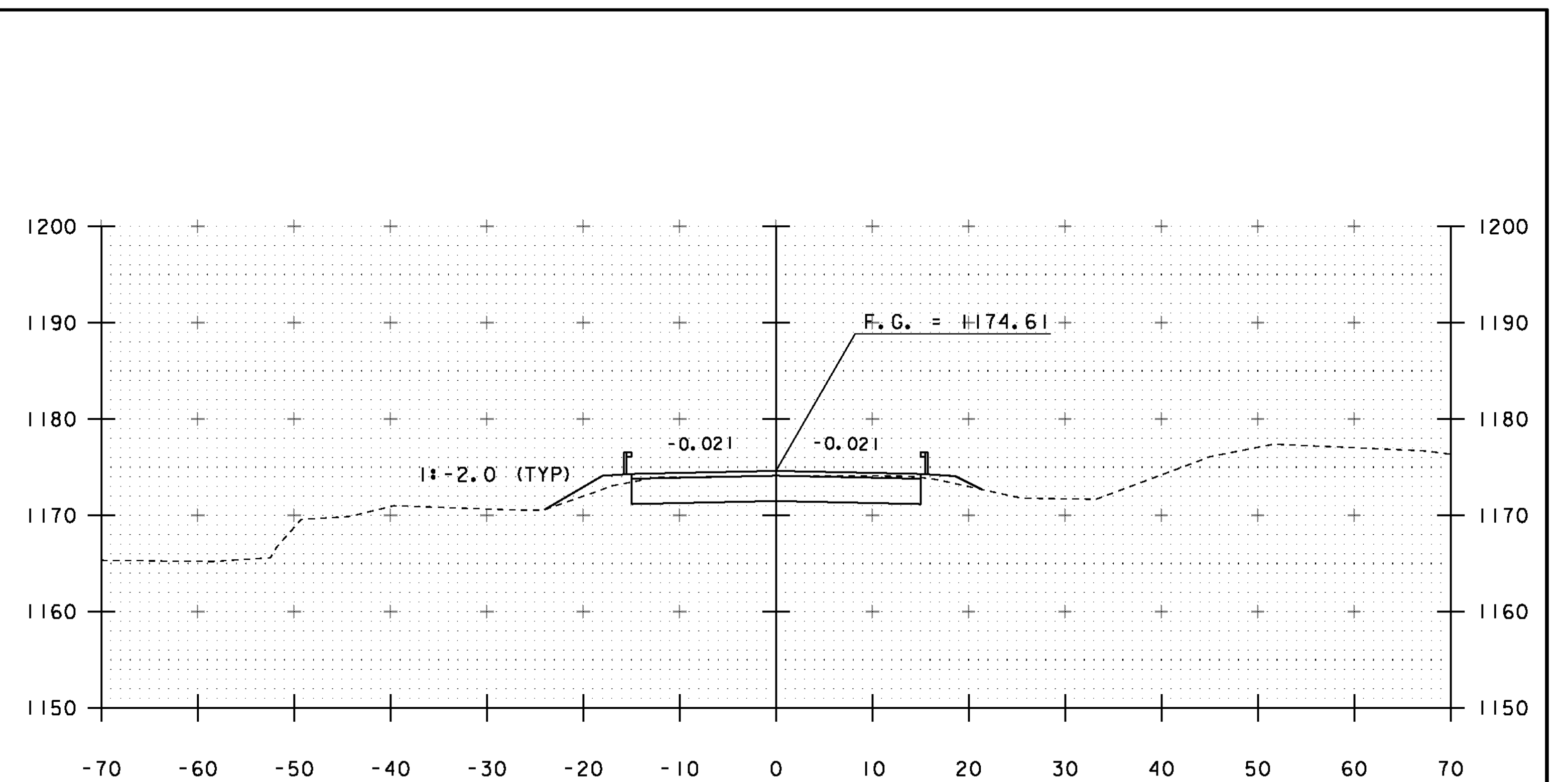
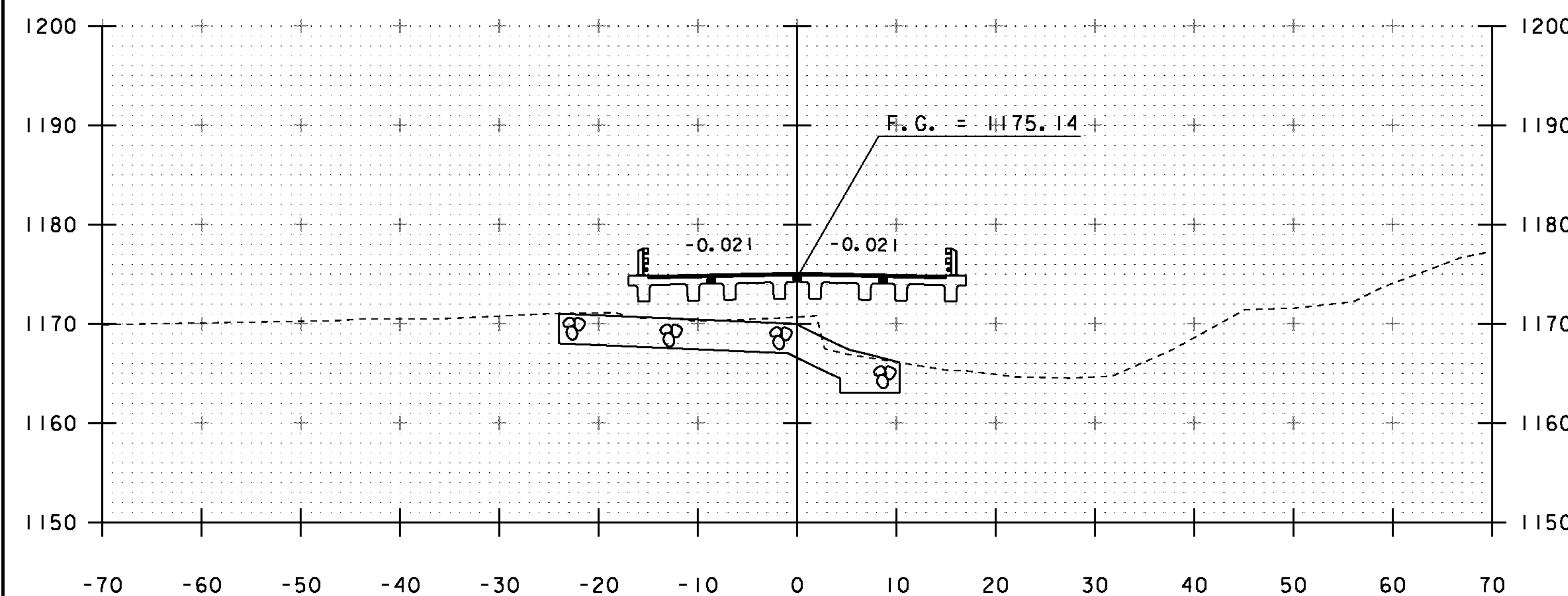


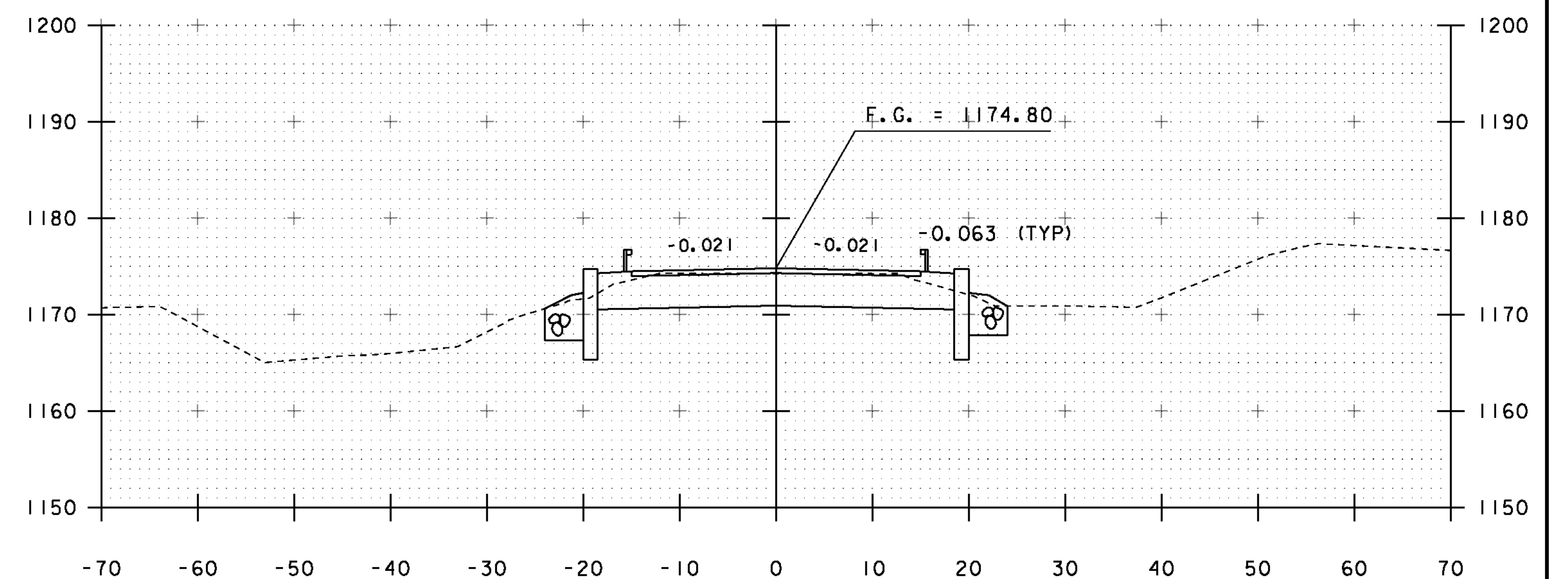
56+00



56+50



55+75



56+25

END BRIDGE STA 56+21.33

PROJECT NAME: BRIGHTON
 PROJECT NUMBER: ER STP 034-3(25)

FILE NAME: s11b208xs.dgn
 PROJECT LEADER: K. HIGGINS
 DESIGNED BY: J. SALVATORI
 MAINLINE SECTIONS

PLOT DATE: 12-SEP-2012
 DRAWN BY: J. SALVATORI
 CHECKED BY: W. LAMMER
 SHEET 31 OF 36

STA. 55+75 TO STA. 56+50