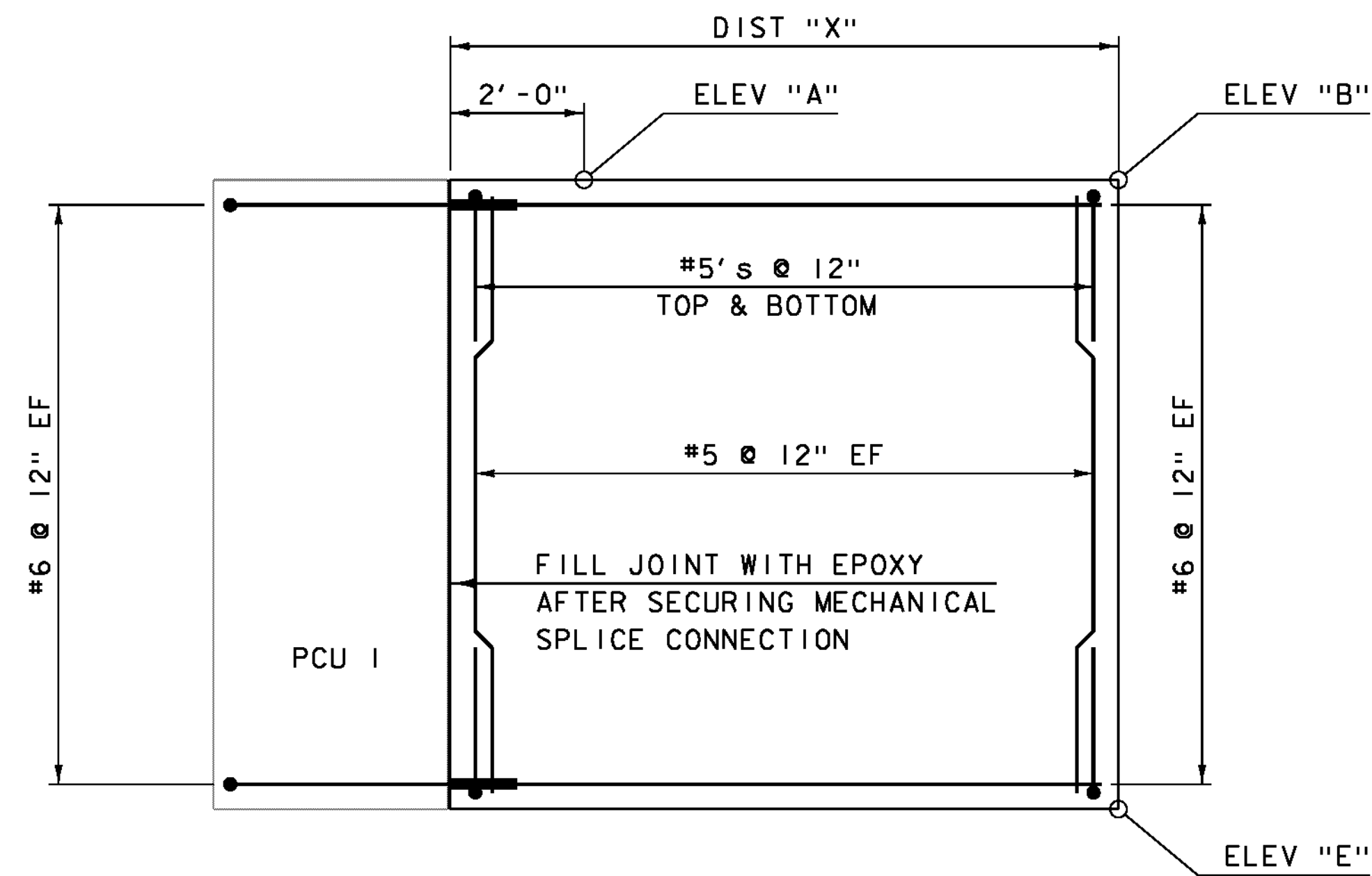


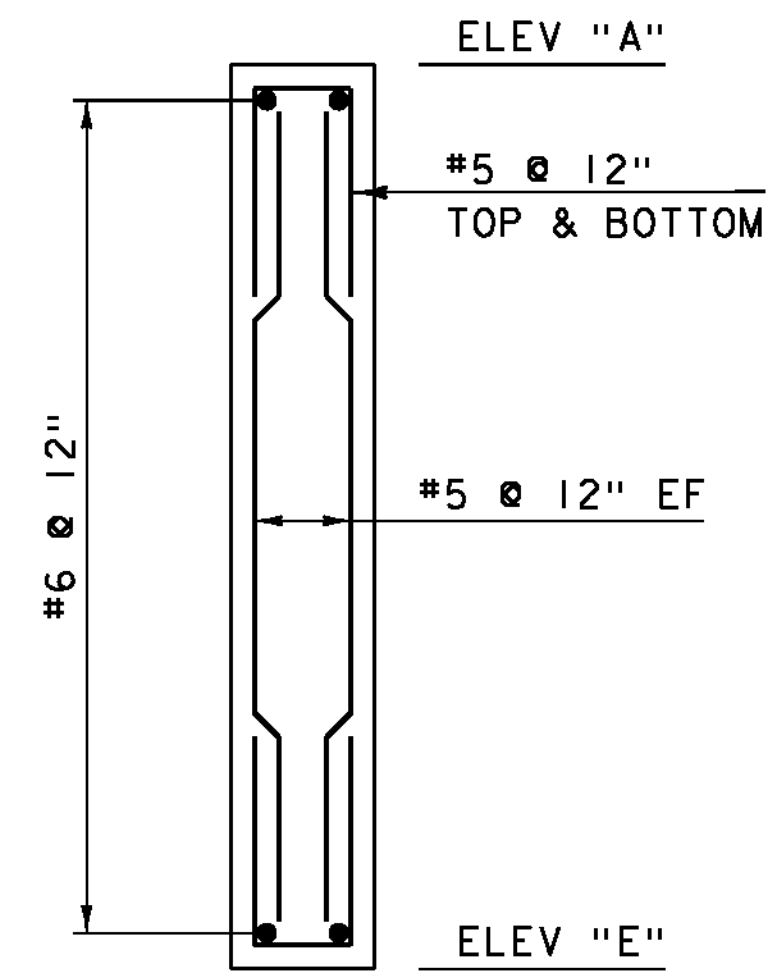
PCU 2 PLAN
SCALE 1" = 1'-0"

PCU 2 ELEVATIONS

	WW1	WW2	WW3	WW4
ELEV "A"	1175.25	1175.25	1174.75	1174.75
ELEV "B"	1175.25	1175.25	1174.75	1174.75
ELEV "E"	1165.78	1165.78	1165.33	1165.33
DIST "X"	10'-0"	10'-0"	10'-0"	10'-0"



PCU 2 ELEVATION
SCALE 1/2" = 1'-0"



PCU 2 TYPICAL
SCALE 1/2" = 1'-0"

NOTE:

NF = NEAR FACE
 FF = FAR FACE
 EF = EACH FACE
 ▲ = CUT TO FIT IN FIELD
 3" CLEAR, UNLESS OTHERWISE SPECIFIED ON THE PLANS.
 2'-2" BAR LAP UNLESS OTHERWISE SPECIFIED ON THE PLANS.

NOTES:

- EPOXY SHALL BE INCIDENTAL TO THE PRECAST CONCRETE STRUCTURE.

PROJECT NAME: BRIGHTON
 PROJECT NUMBER: ER STP 034-3(25)

FILE NAME: sllb208sub.dgn
 PROJECT LEADER: K. HIGGINS
 DESIGNED BY: W. LAMMER
 WINGWALL DETAILS

PLOT DATE: 12-SEP-2012
 DRAWN BY: J. SALVATORI
 CHECKED BY: W. LAMMER
 SHEET 22 OF 36