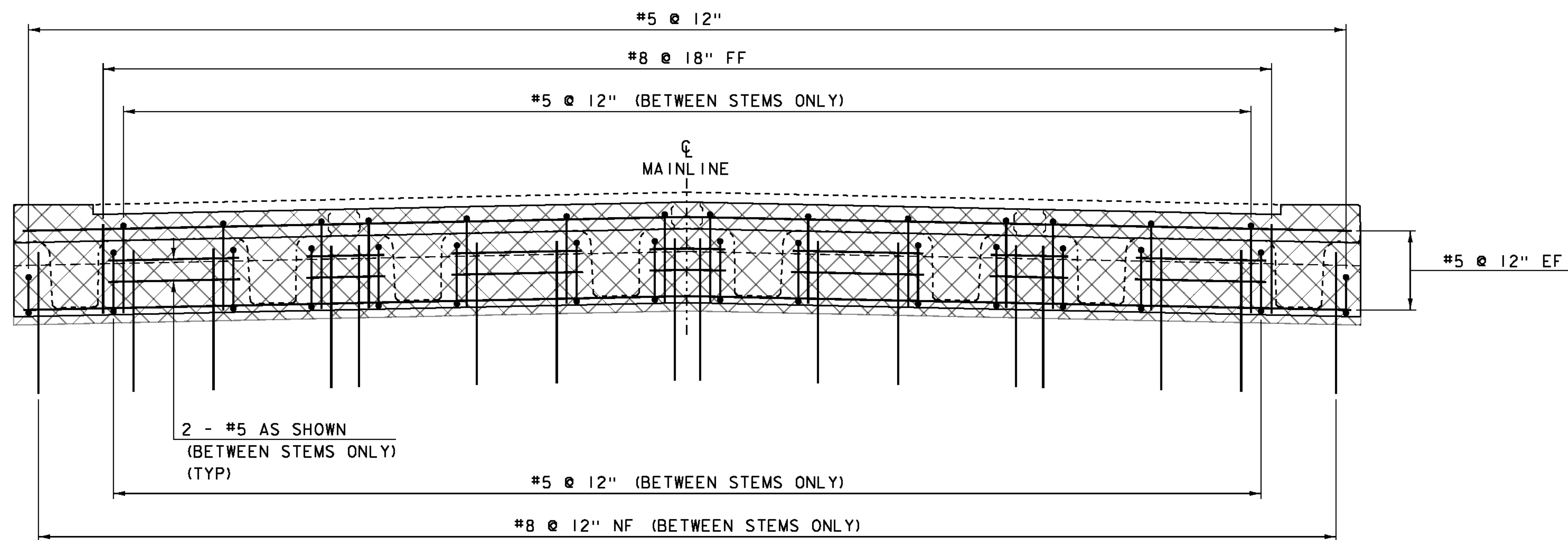
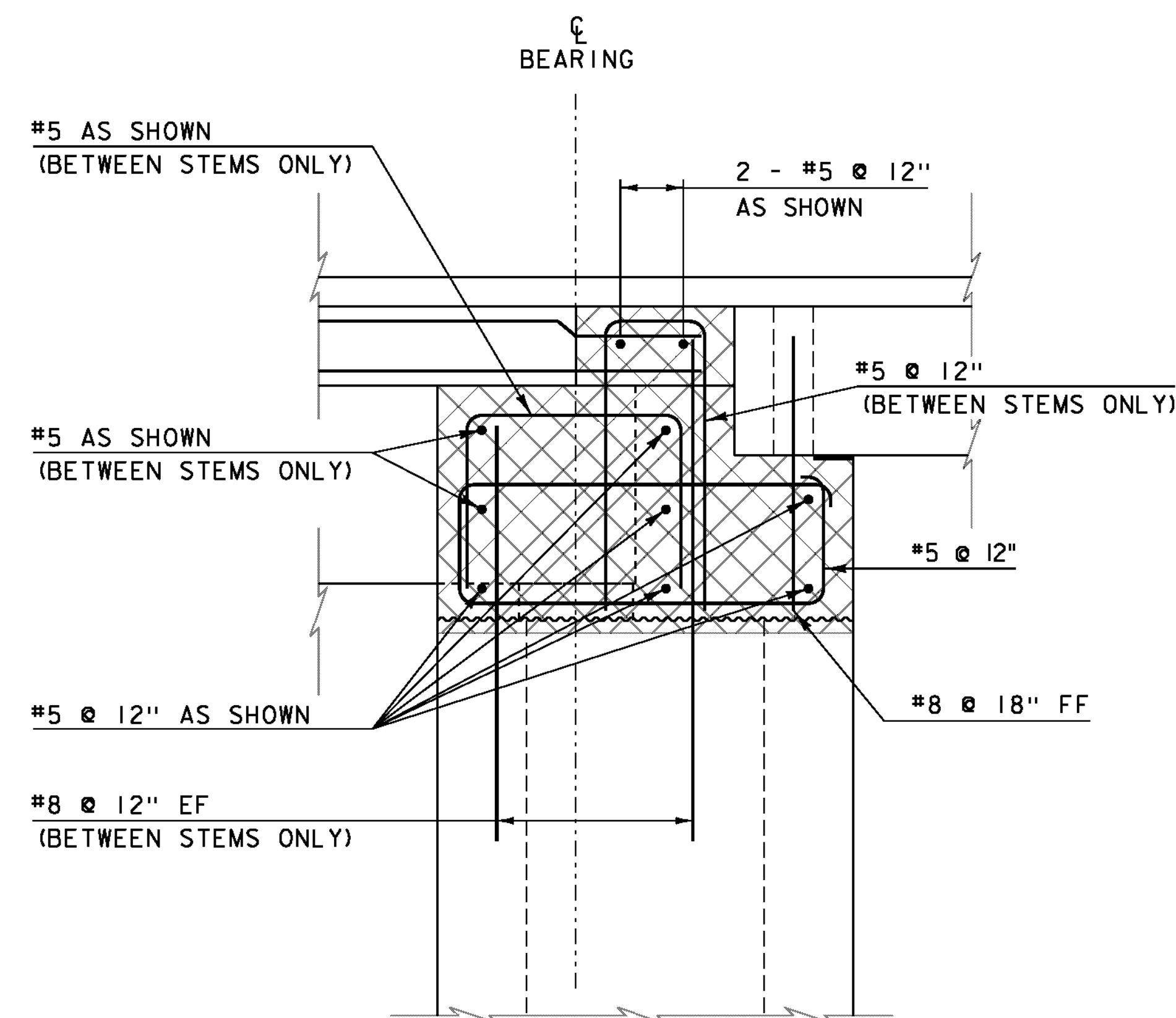


**DECK CLOSURE POUR
REINFORCING PLAN**
SCALE 1/2" = 1'-0"



**DECK CLOSURE POUR
REINFORCING ELEVATION**
SCALE 1/2" = 1'-0"



REINFORCING TYPICAL
SCALE 1" = 1'-0"

NOTE:

- NF = NEAR FACE
- FF = FAR FACE
- EF = EACH FACE
- ▲ = CUT TO FIT IN FIELD
- 3" CLEAR, UNLESS OTHERWISE SPECIFIED ON THE PLANS.
- 2'-2" BAR LAP UNLESS OTHERWISE SPECIFIED ON THE PLANS.

PROJECT NAME: BRIGHTON	PLOT DATE: 12-SEP-2012
PROJECT NUMBER: ER STP 034-3(25)	DRAWN BY: J. SALVATORI
FILE NAME: slb208sub.dgn	CHECKED BY: W. LAMMER
PROJECT LEADER: K. HIGGINS	SHEET 21 OF 36
DESIGNED BY: W. LAMMER	DECK CLOSURE POUR DETAILS