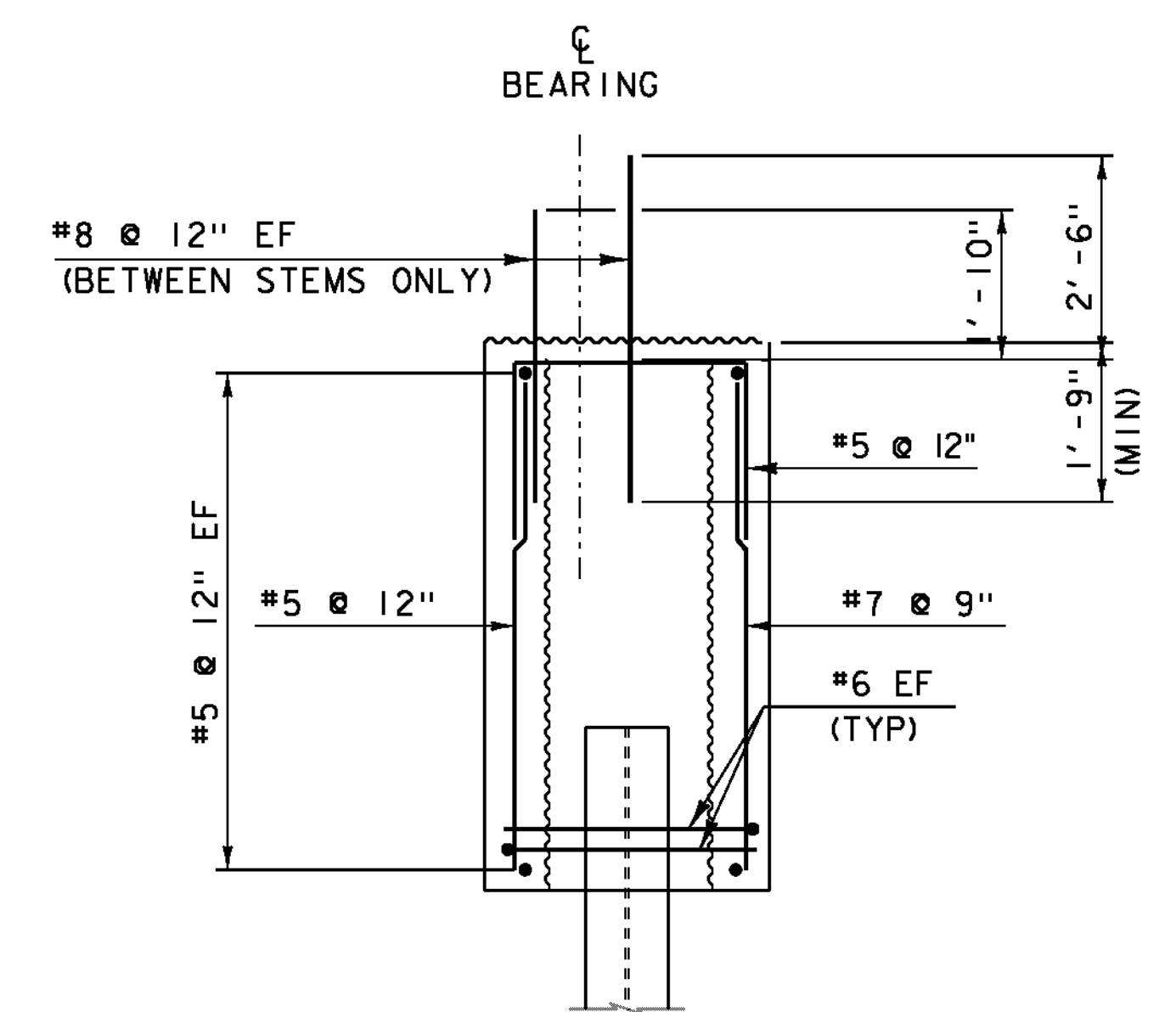
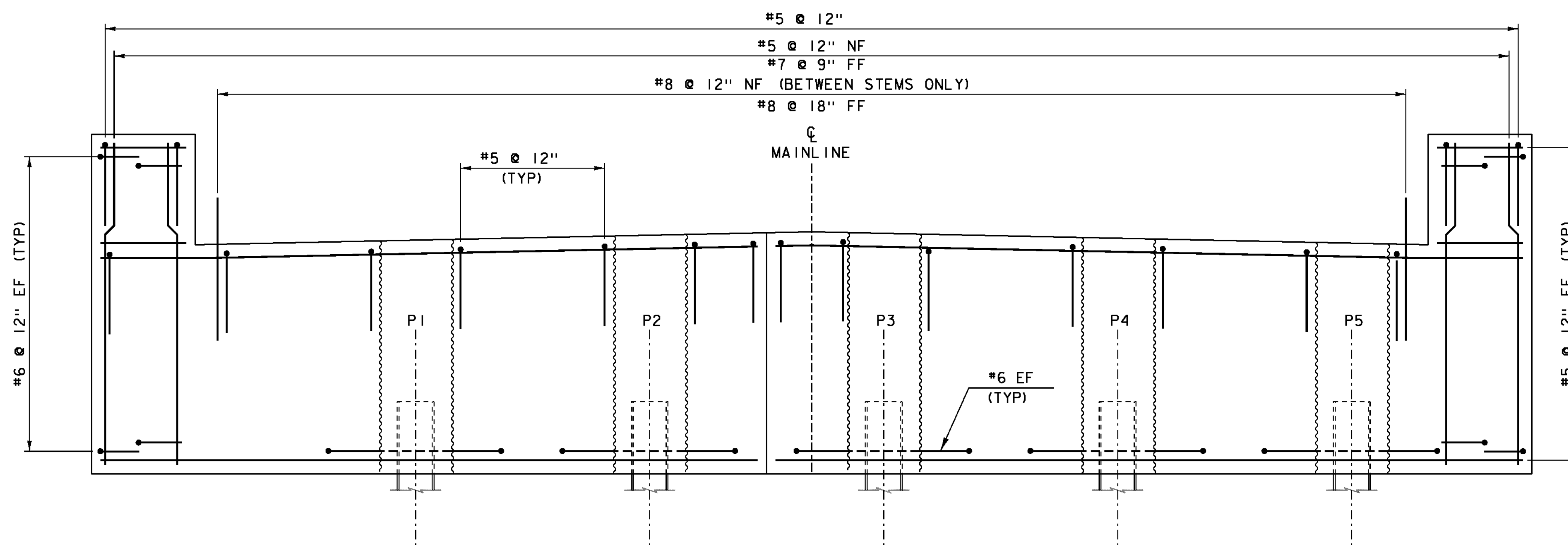


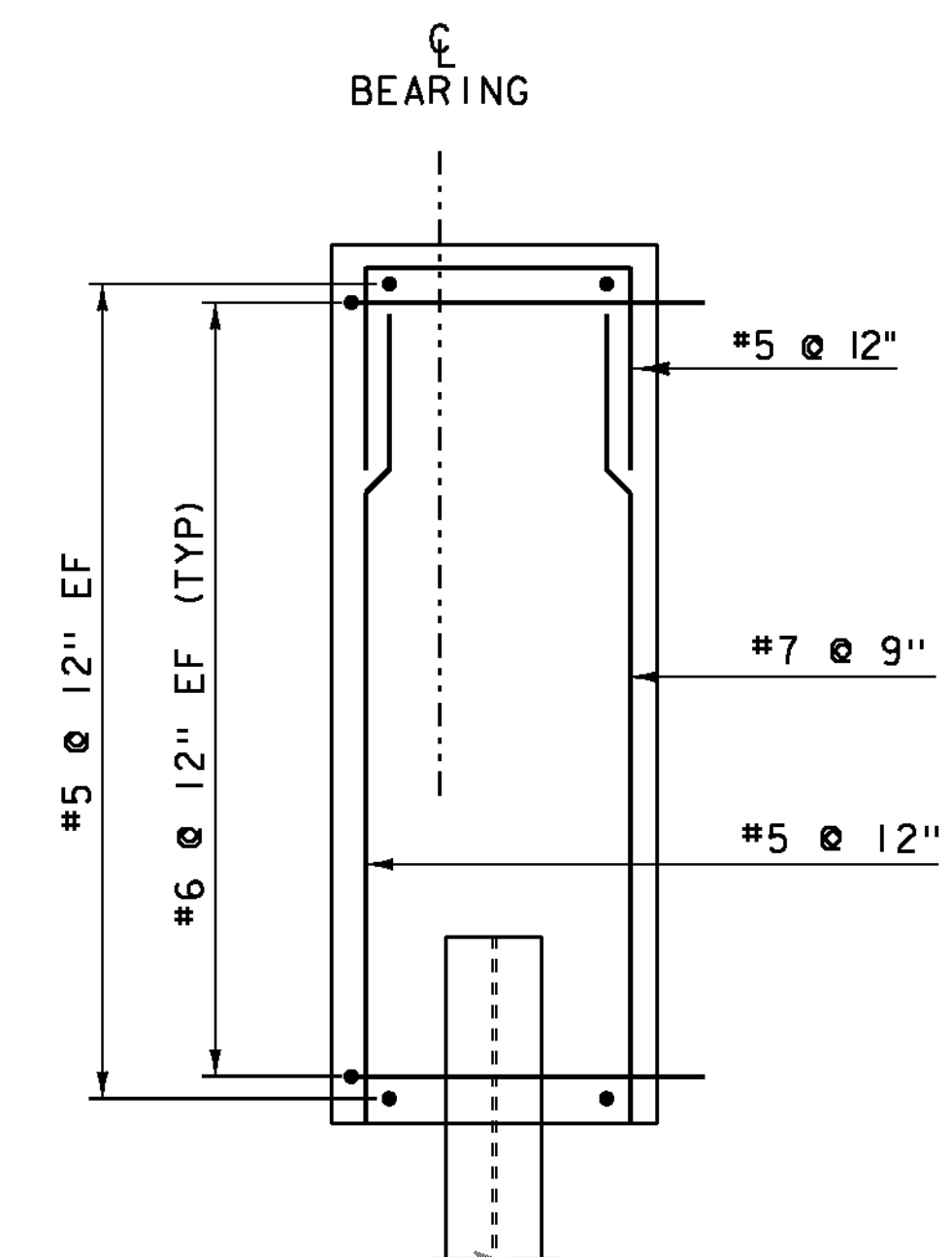
PCU I REINFORCING PLAN
SCALE 1/2" = 1'-0"



SECTION A-A
SCALE 1/2" = 1'-0"



PCU I REINFORCING ELEVATION
SCALE 1/2" = 1'-0"



SECTION B-B
SCALE 1/2" = 1'-0"

NOTE:

NF = NEAR FACE
FF = FAR FACE
EF = EACH FACE
▲ = CUT TO FIT IN FIELD
3" CLEAR, UNLESS OTHERWISE
SPECIFIED ON THE PLANS.
2'-2" BAR LAP UNLESS OTHERWISE
SPECIFIED ON THE PLANS.

PROJECT NAME: BRIGHTON
PROJECT NUMBER: ER STP 034-3(25)

FILE NAME: slb208sub.dgn
PROJECT LEADER: K. HIGGINS
DESIGNED BY: W. LAMMER
ABUTMENT REINFORCING

PLOT DATE: 12-SEP-2012
DRAWN BY: J. SALVATORI
CHECKED BY: W. LAMMER
SHEET 20 OF 36