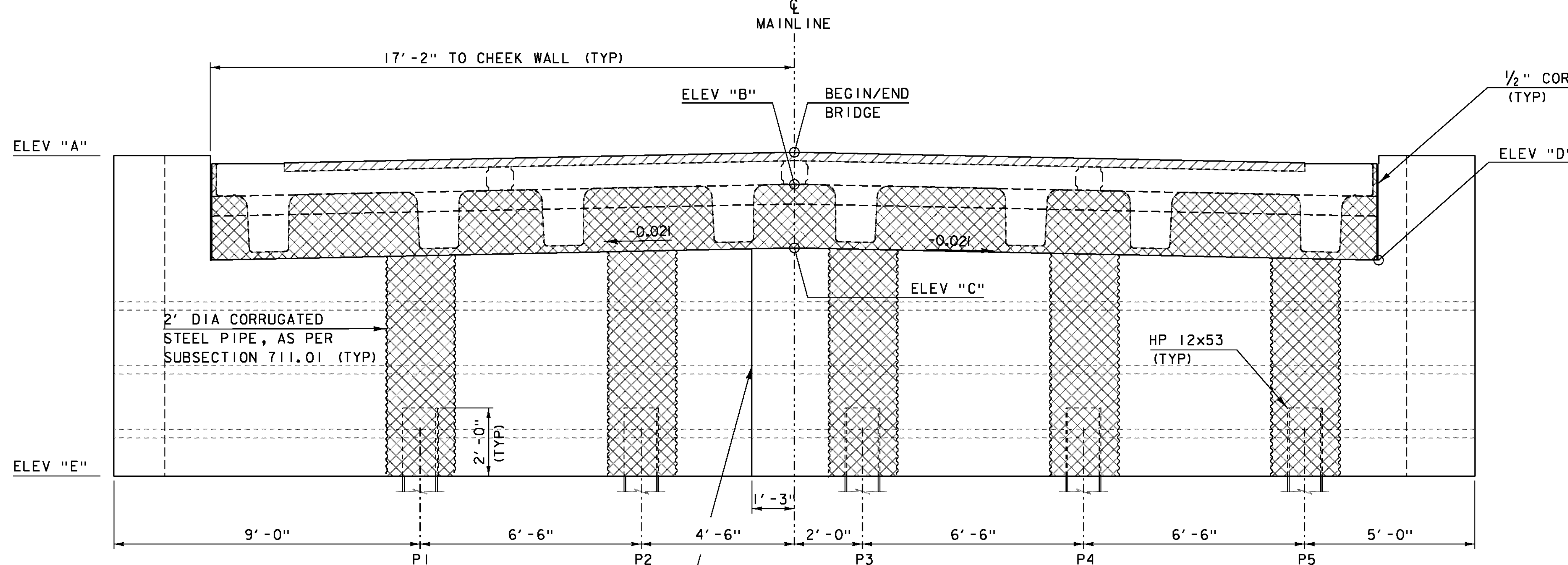


PCU I PLAN

SCALE 1/2" = 1'-0"

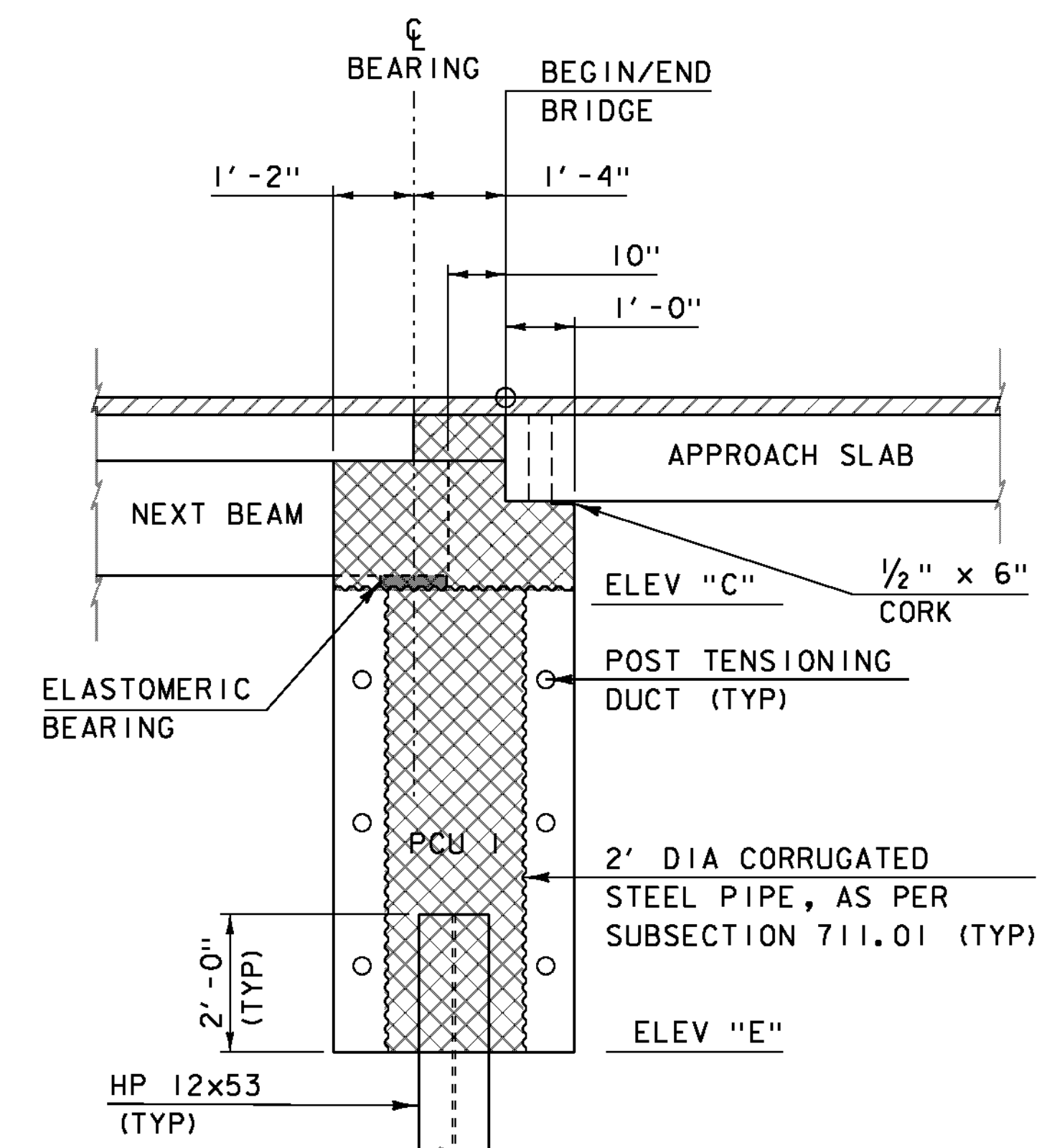


PCU I ELEVATION

SCALE 1/2" = 1'-0"

PCU I ELEVATIONS

	AB1	AB2
ELEV "A"	1175.25	1174.75
ELEV "B"	1174.36	1173.91
ELEV "C"	1172.49	1172.04
ELEV "D"	1172.13	1171.68
ELEV "E"	1165.78	1165.33



PCU I TYPICAL

SCALE 1/2" = 1'-0"

NOTE: POST-TENSIONING AND ASSOCIATED ITEMS ONLY REQUIRED IF PILE CAP IS CONSTRUCTED OF MORE THAN ONE UNIT.

PROJECT NAME: BRIGHTON
PROJECT NUMBER: ER STP 034-3(25)

FILE NAME: slb208sub.dgn
PROJECT LEADER: K. HIGGINS
DESIGNED BY: W. LAMMER
ABUTMENT PLAN

PLOT DATE: 12-SEP-2012
DRAWN BY: J. SALVATORI
CHECKED BY: W. LAMMER
SHEET 19 OF 36