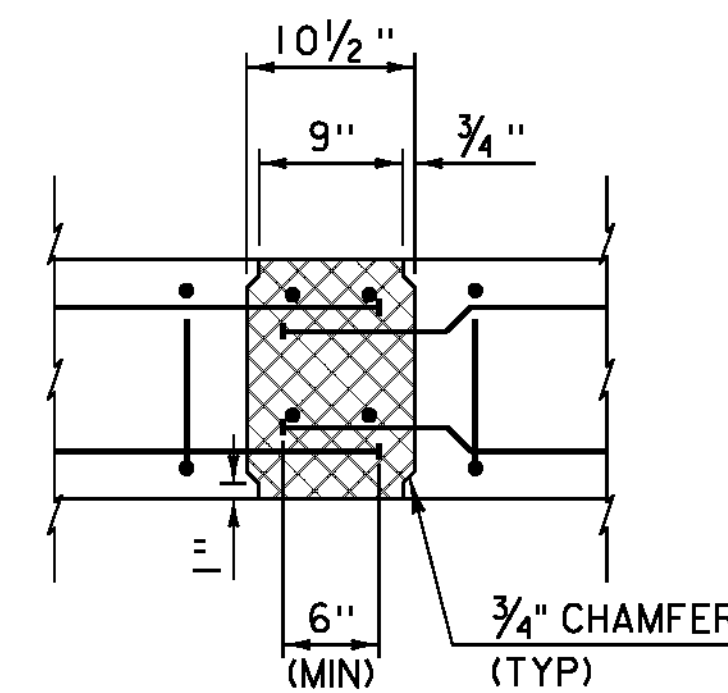
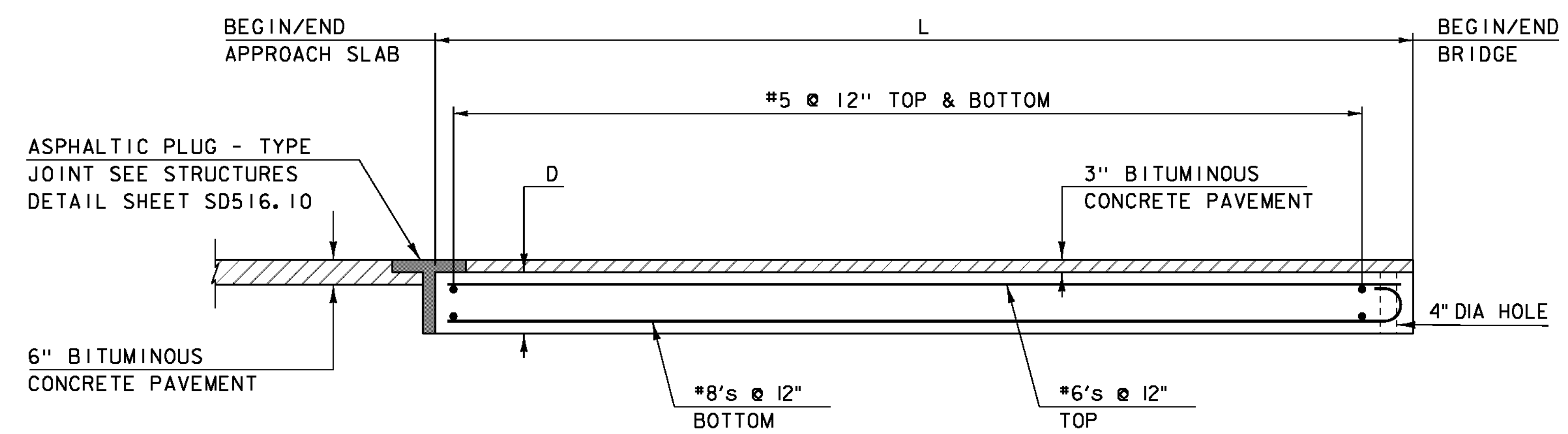
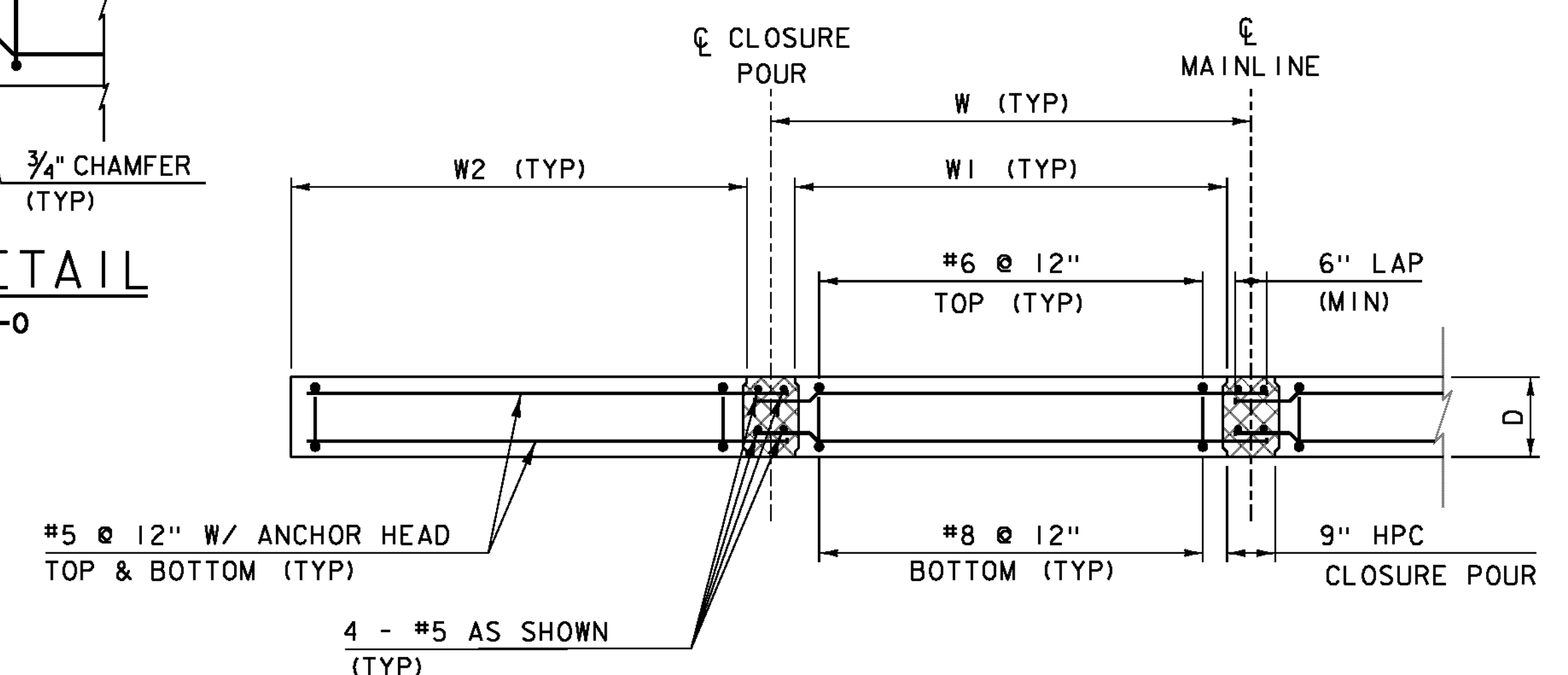


* ALTERNATE LIFTING POINTS MAY BE SUBMITTED WITH CALCULATIONS FOR NEW LOCATIONS.



APPROACH SLAB ELEVATION VIEW
SCALE 1/2" = 1'-0"



APPROACH SLAB DIMENSIONS

D	1'-3"
L	20'-0"
W	7'-6"
W1	6'-9"
W2	7'-1 1/2"

APPROACH SLAB ELEVATIONS
ALL ELEVATIONS ARE TOP OF SLAB

	STATION	15'-0" LT	CL	15'-0" RT
BEGIN AP#1	55+28.67	1174.81	1175.13	1174.81
END AP#1	55+48.67	1174.71	1175.03	1174.71
BEGIN AP#2	56+21.33	1174.26	1174.58	1174.26
END AP#2	56+41.33	1174.11	1174.43	1174.11

NOTE:
NF = NEAR FACE
FF = FAR FACE
EF = EACH FACE
▲ = CUT TO FIT IN FIELD
3" CLEAR, UNLESS OTHERWISE SPECIFIED ON THE PLANS.
2'-2" BAR LAP UNLESS OTHERWISE SPECIFIED ON THE PLANS.

PROJECT NAME: BRIGHTON
PROJECT NUMBER: ER STP 034-3(25)
FILE NAME: slb208sup.dgn
PROJECT LEADER: K. HIGGINS
DESIGNED BY: W. LAMMER
APPROACH SLAB DETAILS
PLOT DATE: 12-SEP-2012
DRAWN BY: J. SALVATORI
CHECKED BY: W. LAMMER
SHEET 18 OF 36