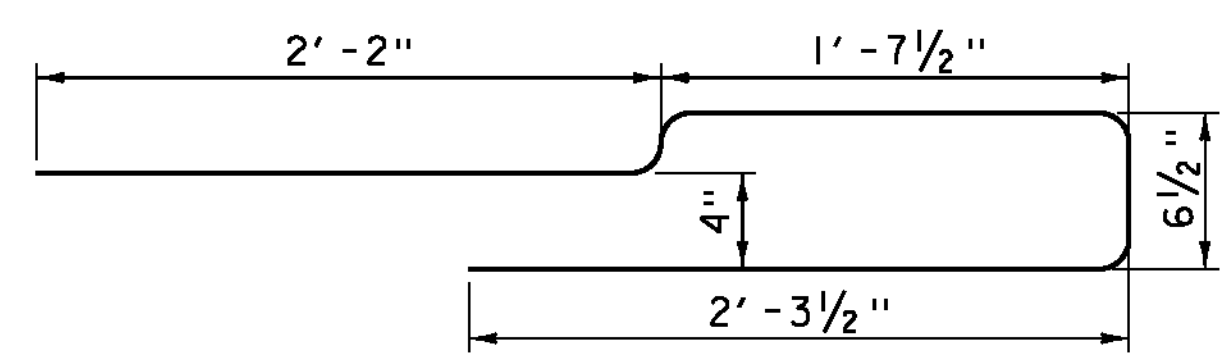


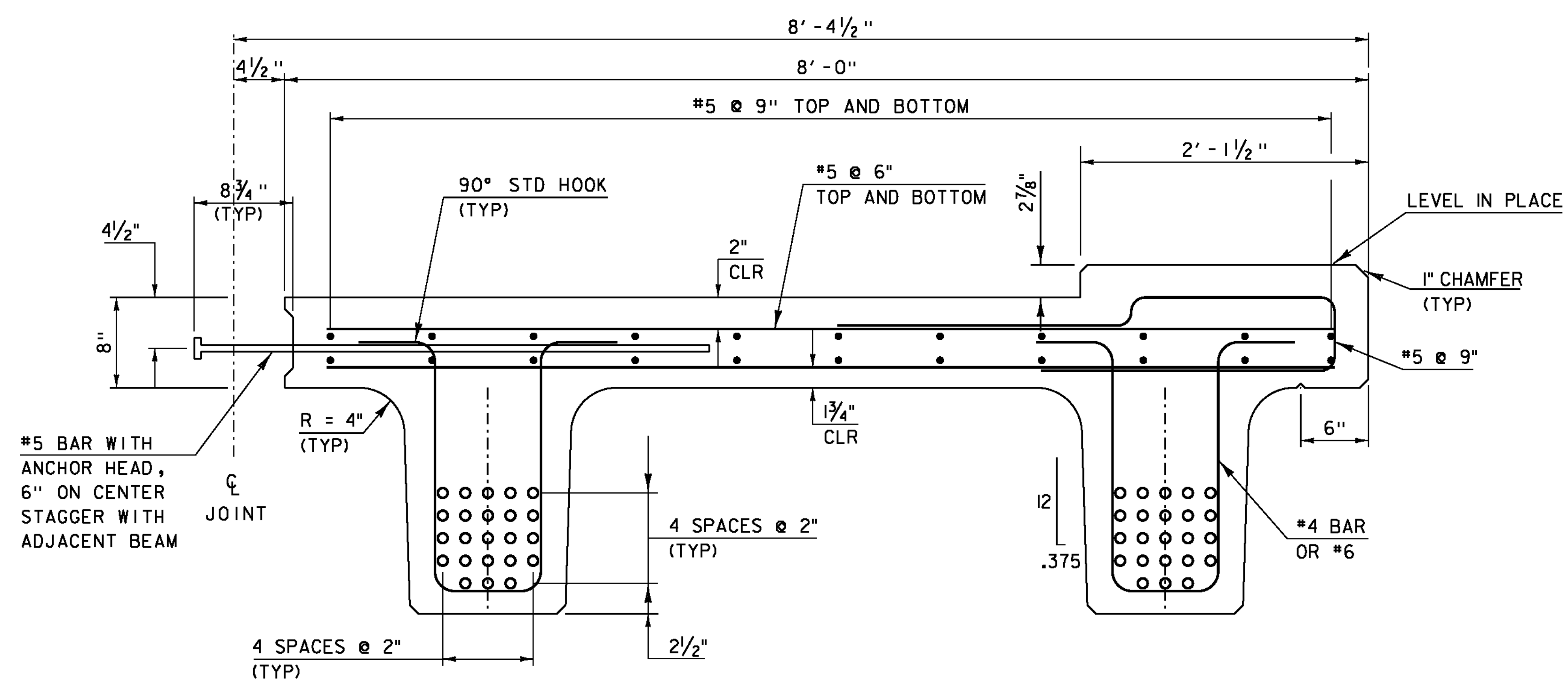
UNITS 2 & 3

SCALE: 1/2" = 1'-0"



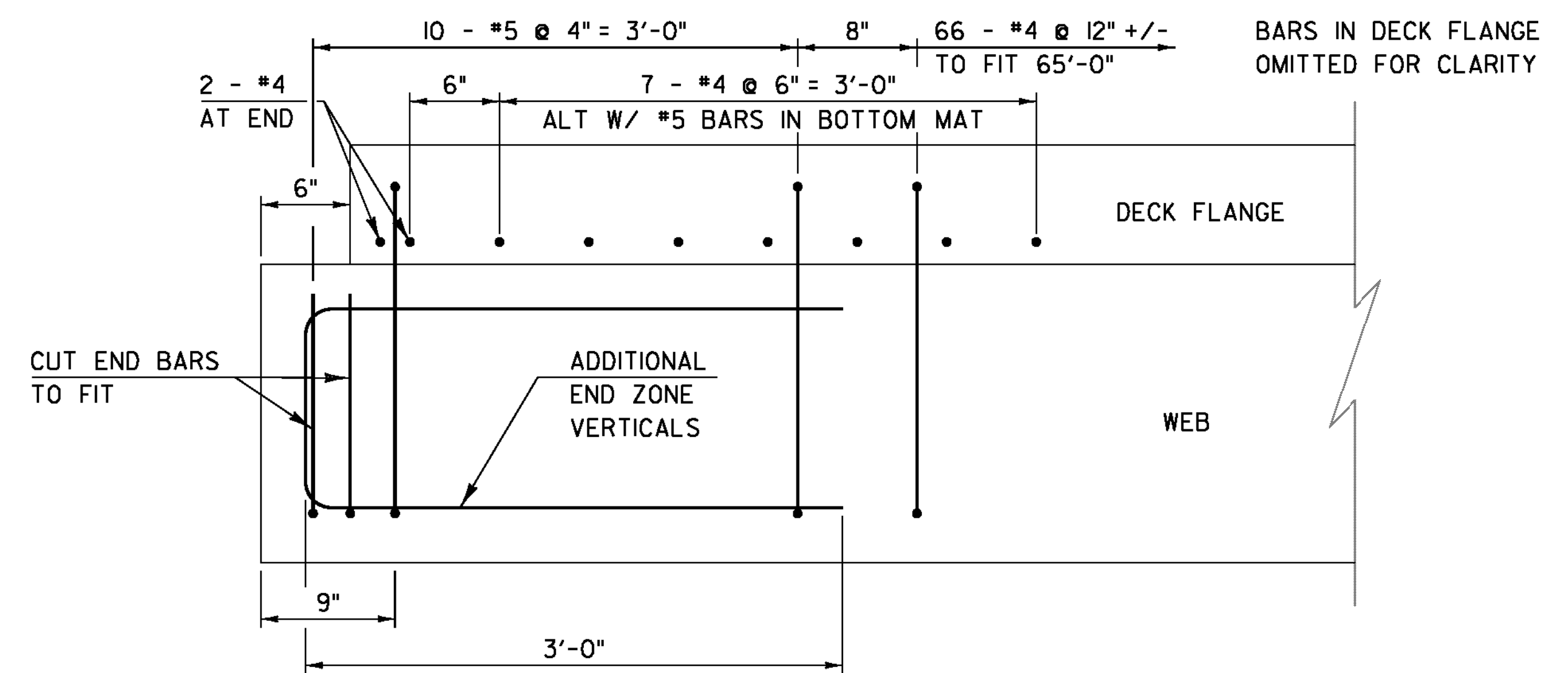
CURB BAR

SCALE: 1/2" = 1'-0"



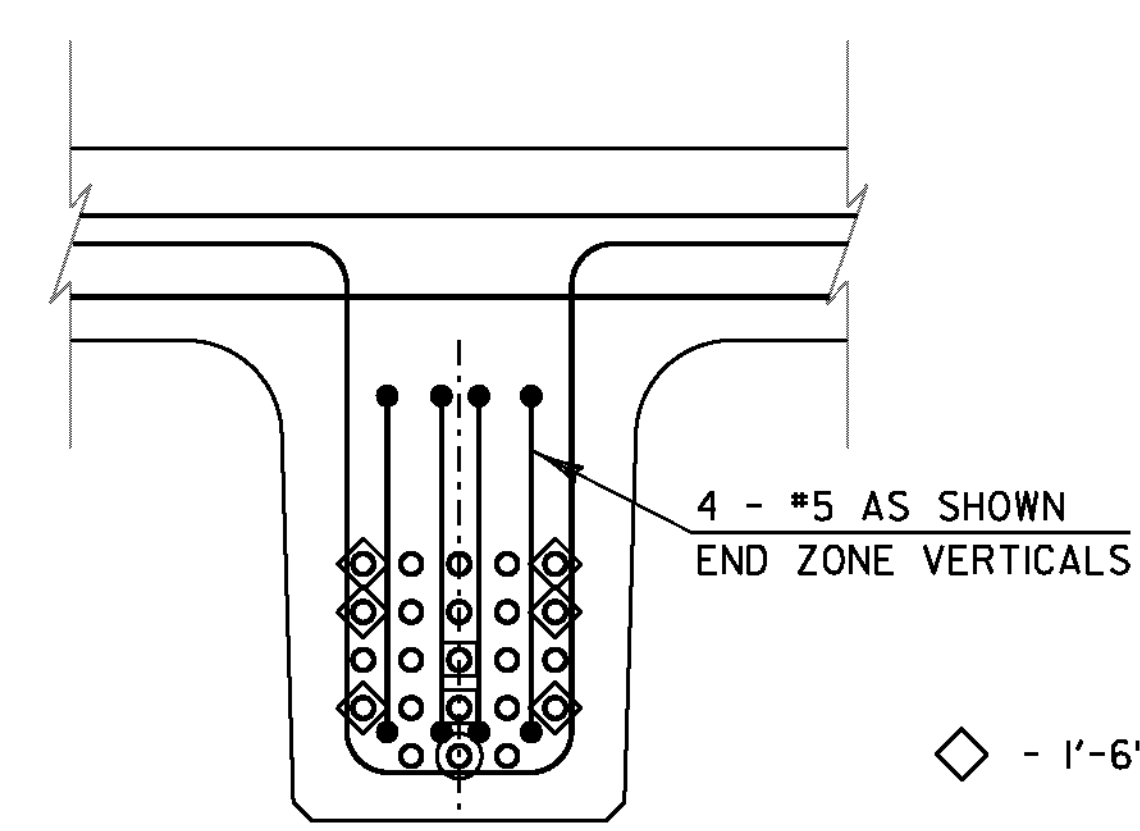
UNITS 1 & 4

SCALE: 1/2" = 1'-0"



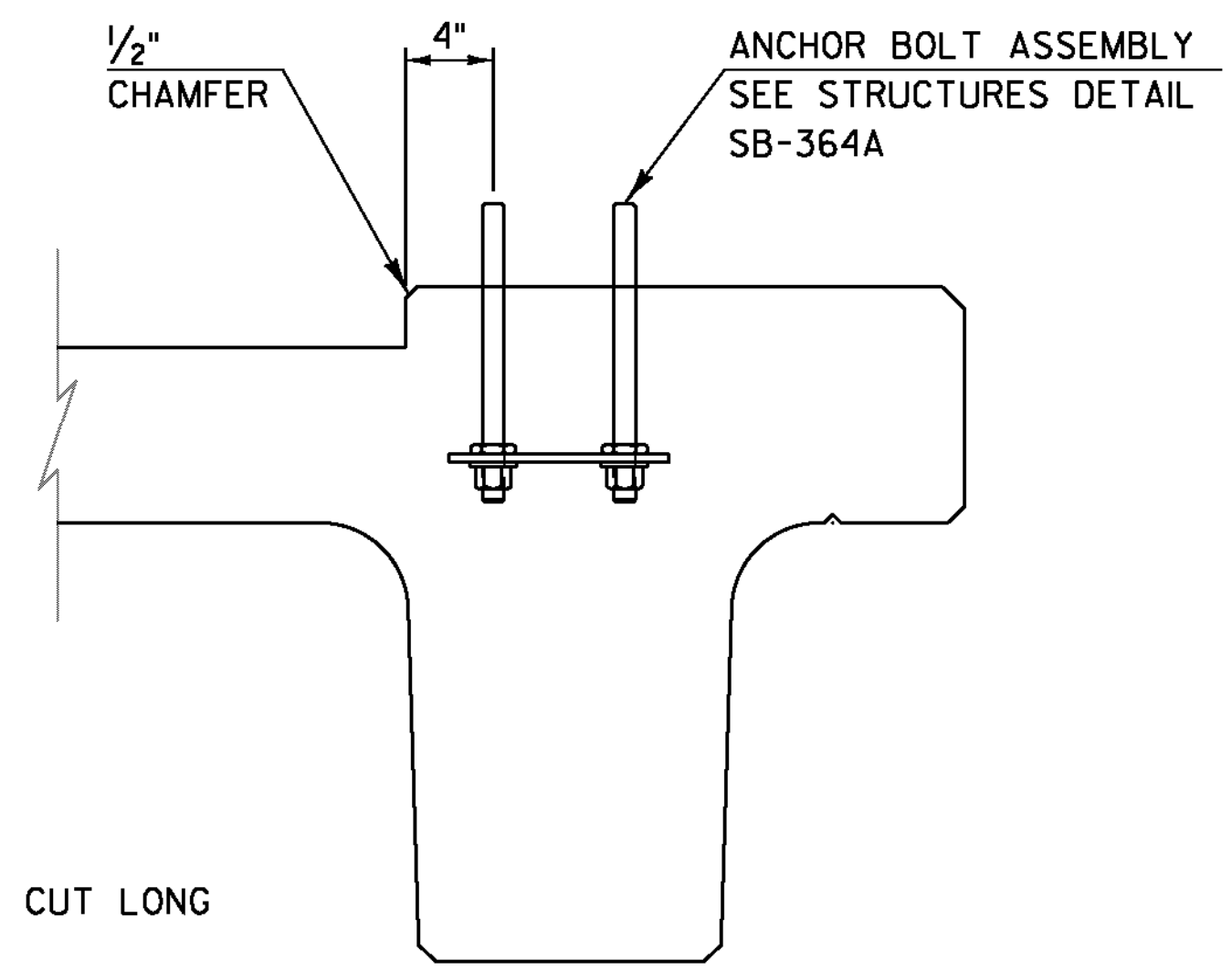
**ADDITIONAL END BEAM REINFORCING
LONGITUDINAL SECTION**

SCALE: 1/2" = 1'-0"



BEAM SECTION

SCALE: 1/2" = 1'-0"



END SECTION

SCALE: 1/2" = 1'-0"

- ◇ - 1'-6" STRAND CUT LONG
- - DEBONDED 4'
- - DEBONDED 6'

L_{NEXT} = 71 FT.
SKEW = 90°

NOTES:

1. LEAVE SIX STRANDS 1'-6" LONG AS INDICATED. TIE STRANDS TO HORIZONTAL #5 REINFORCING IN DECK CLOSURE POUR.

△ REVISED 10-12-12
- REMOVED NOTE 2

PROJECT NAME: BRIGHTON	PLOT DATE: 12-OCT-2012
PROJECT NUMBER: ER STP 034-3(25)	DRAWN BY: J. SALVATORI
FILE NAME: slib208sup.dgn	CHECKED BY: W. LAMMER
PROJECT LEADER: K. HIGGINS	SHEET 16 OF 36
DESIGNED BY: W. LAMMER	
NEXT BEAM TYPICAL SECTIONS	