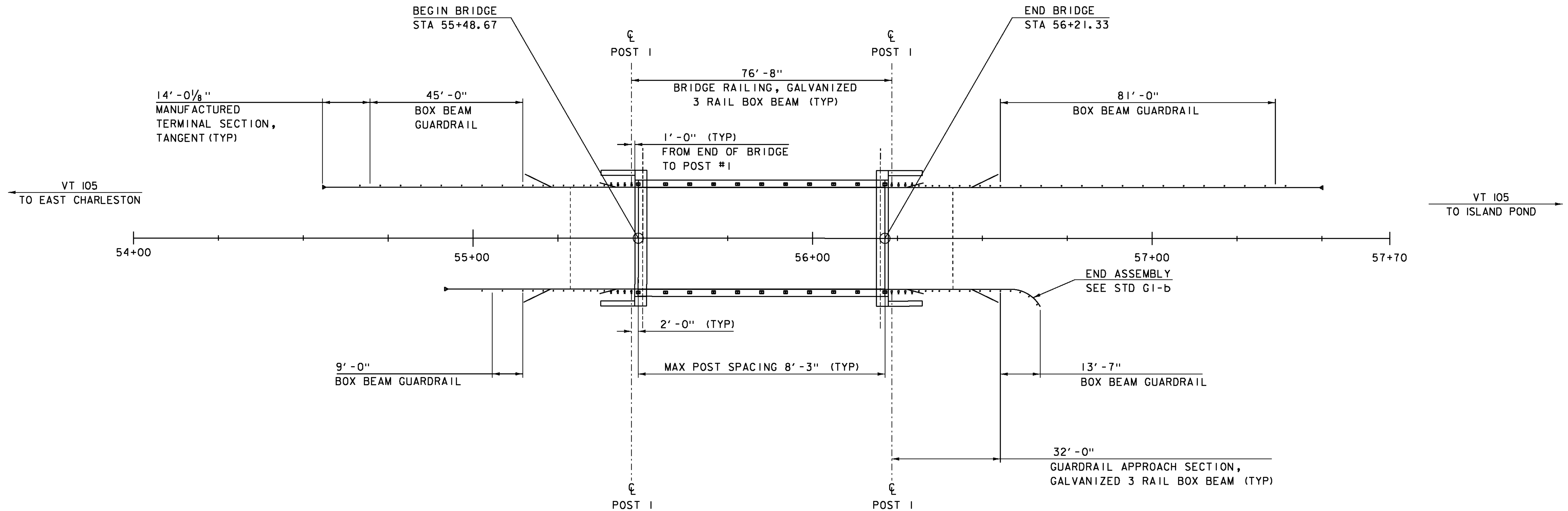
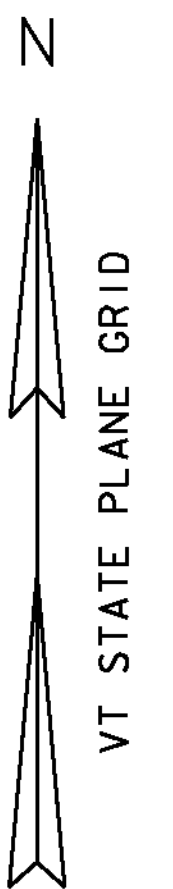


BOX BEAM GUARDRAIL  
 STA 54+69.67 - 55+14.67 LT  
 STA 55+05.66 - 55+14.67 RT  
 STA 56+55.33 - 57+36.34 LT  
 STA 56+55.33 - 56+67.05 RT

MANUFACTURED TERMINAL SECTION, TANGENT  
 STA 54+55.66 - 54+69.67 LT  
 STA 54+91.65 - 55+05.66 RT  
 STA 57+36.34 - 57+50.35 LT

BRIDGE RAILING, GALVANIZED  
3 RAIL BOX BEAM  
 STA 55+48.67 - 56+21.33 LT/RT

GUARDRAIL APPROACH SECTION,  
GALVANIZED 3 RAIL BOX BEAM  
 STA 55+14.67 - 55+48.67 LT/RT  
 STA 56+21.33 - 56+55.33 LT/RT



**RAIL LAYOUT SHEET**  
 SCALE 1" = 15'-0"

PROJECT NAME: BRIGHTON	PLOT DATE: 12-SEP-2012
PROJECT NUMBER: ER STP 034-3(25)	DRAWN BY: J. SALVATORI
FILE NAME: s1b208r-all.dgn	CHECKED BY: W. LAMMER
PROJECT LEADER: K. HIGGINS	SHEET II OF 36
DESIGNED BY: J. SALVATORI	
RAIL LAYOUT SHEET	