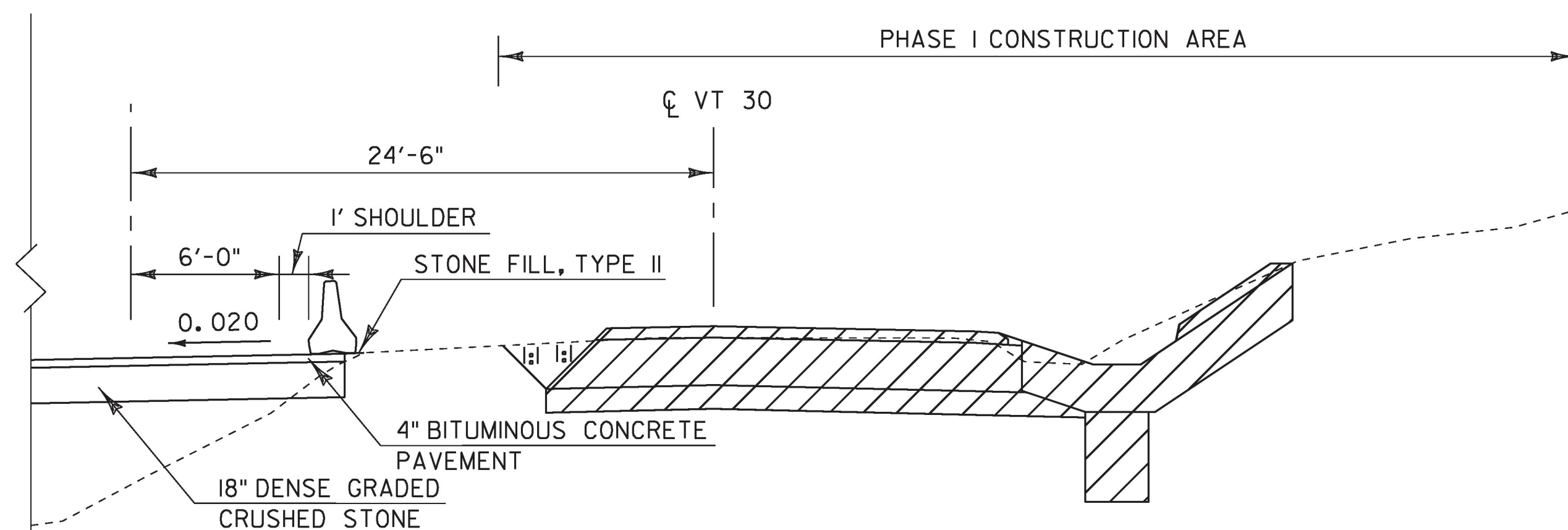


PHASE I TRAFFIC CONTROL/CONSTRUCTION - ONE-LANE, ALTERNATING ONE-WAY DETOUR TYPICAL SECTION - DETOUR MEETS EXISTING

NOT TO SCALE

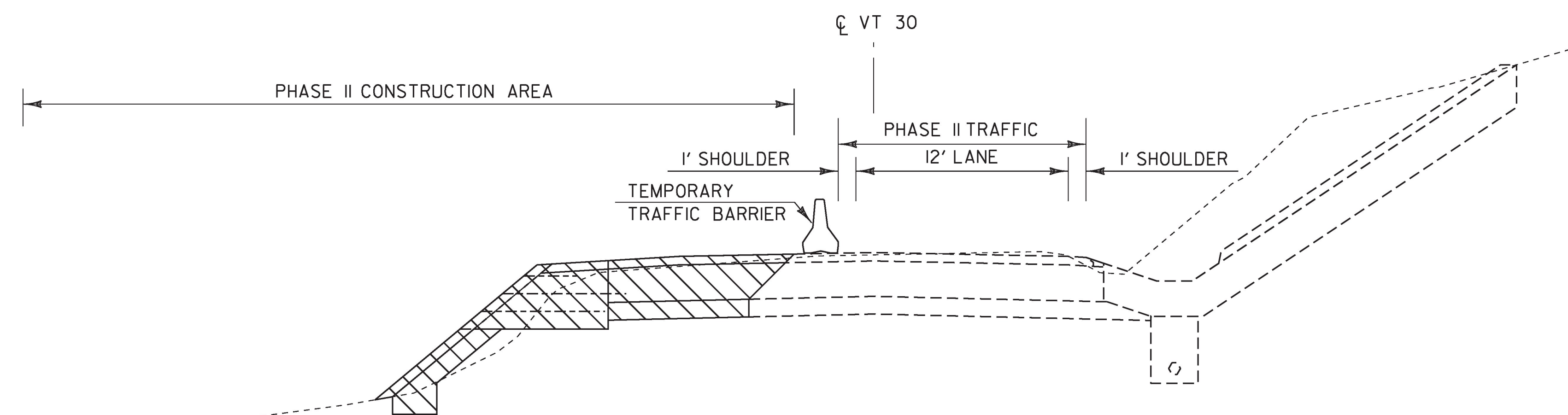
STA 277+75 - STA 278+50
 STA 279+75 - STA 281+00
 STA 282+65 - STA 283+50



PHASE I TRAFFIC CONTROL/CONSTRUCTION - ONE-LANE, ALTERNATING ONE-WAY DETOUR TYPICAL SECTION - GAP BETWEEN DETOUR AND EXISTING

NOT TO SCALE

STA 278+50 - STA 279+75
 STA 281+00 - STA 282+65



PHASE II TRAFFIC CONTROL/CONSTRUCTION - ONE-LANE, ALTERNATING ONE-WAY DETOUR TYPICAL SECTION

NOT TO SCALE

STA 277+75 - STA 283+50

GENERAL TRAFFIC CONTROL NOTES

1. TRAFFIC CONTROL FOR THIS PROJECT SHALL BE PROVIDED IN ACCORDANCE WITH THE CURRENT VTRANS T-SERIES STANDARDS AND THE CURRENT MUTCD AND ITS LATEST REVISIONS.
2. THE CONTRACTOR SHALL SUBMIT A SITE SPECIFIC TRAFFIC CONTROL PLAN TO THE PROJECT MANAGER FOR REVIEW 30 DAYS PRIOR TO PERFORMING ANY CONSTRUCTION ACTIVITY. THE PLAN SHALL INCLUDE PROVISIONS FOR IMPLEMENTATION AND MAINTENANCE OF TRAFFIC CONTROL FOR ALL WORK ASSOCIATED WITH THIS PROJECT. UPON WRITTEN ACCEPTANCE FROM THE ENGINEER, THE CONTRACTOR SHALL IMPLEMENT THE TRAFFIC CONTROL PLAN AND COMMENCE CONSTRUCTION ACTIVITIES. ALL COSTS ASSOCIATED WITH THE DEVELOPMENT AND ANY NECESSARY REVISION OF A TRAFFIC CONTROL PLAN SHALL BE PAID FOR UNDER CONTRACT ITEM 900.645 SPECIAL PROVISION (TRAFFIC CONTROL, ALL-INCLUSIVE).
3. THE TRAFFIC CONTROL PLANS SHOWN HEREIN ARE APPROXIMATE AND INTENDED TO BE UTILIZED IN CONJUNCTION WITH APPLICABLE VTRANS STANDARD DRAWINGS AND AT THE DISCRETION OF THE ENGINEER.
4. THE BID PRICE FOR ITEM 900.645 SPECIAL PROVISION (TRAFFIC CONTROL, ALL-INCLUSIVE) WILL INCLUDE ALL OF THE FOLLOWING, AS NEEDED: APPROACH AND ON-PROJECT CONSTRUCTION SIGNING, TEMPORARY ROADWAY WIDENING FOR DETOUR, SUITABLE FILL, DENSE GRADED CRUSHED STONE, BITUMINOUS CONCRETE PAVEMENT, ALL TEMPORARY MARKINGS IN THE DETOUR, SAWCUTS, TEMPORARY DRAINAGE, AND PIPE EXTENSIONS, TRAFFIC BARRIER, REMOVING AND RESETTING TEMPORARY TRAFFIC BARRIER, ENERGY ABSORPTION ATTENUATORS, BARRELS, CONES, BARRICADES, TEMPORARY REGULATORY AND WARNING SIGNS AND POSTS AS DETAILED IN VTRANS STANDARDS. ALL INSTALLATION, MAINTENANCE, ADJUSTING, RELOCATING AND REMOVAL OF THESE ITEMS AS DIRECTED BY THE ENGINEER SHALL ALSO BE INCLUDED.
5. ALL SIGNS, BARRICADES, AND OTHER TRAFFIC CONTROL DEVICES SHALL BE CLEANED BIWEEKLY OR AS DIRECTED BY THE ENGINEER. COST FOR THIS WORK SHALL BE CONSIDERED INCIDENTAL TO CONTRACT ITEM 900.645 SPECIAL PROVISION (TRAFFIC CONTROL, ALL-INCLUSIVE).
6. EXISTING PERMANENT SIGNS THAT CONTRADICT TEMPORARY TRAFFIC CONTROL SIGNS SHALL BE REMOVED AND REPLACED OR COVERED FOR THE PERIOD OF TIME THAT THE TRAFFIC CONTROL PLAN IS IMPLEMENTED. TREES AND SHRUBS WITHIN THE EXISTING RIGHT-OF-WAY AND OTHERWISE INTERFERING WITH VISIBILITY OF THE PROPOSED CONSTRUCTION SIGNS SHALL BE TRIMMED ACCORDINGLY. PROJECT APPROACH SIGNAGE SHALL BE IN PLACE BEFORE ANY CONSTRUCTION WORK BEGINS. PAYMENT FOR THIS WORK SHALL BE CONSIDERED INCIDENTAL TO CONTRACT ITEM 900.645 SPECIAL PROVISION (TRAFFIC CONTROL, ALL-INCLUSIVE).
7. THE CONTRACTOR SHALL MAKE ACCOMMODATIONS TO ENSURE THAT OBSTACLES, EQUIPMENT, CONSTRUCTION MATERIALS, TRAFFIC CONTROL DEVICES, ETC. DO NOT ENCROACH INTO THE BICYCLE PATH OF TRAVEL. THE CONTRACTOR SHALL ENSURE THAT CYCLISTS' ROUTES ARE FREE OF RUTS, SAND, MUD AND DEBRIS TO PREVENT CYCLISTS' CRASHES. PAYMENT FOR THIS WORK SHALL BE CONSIDERED INCIDENTAL TO CONTRACT ITEM 900.645 SPECIAL PROVISION (TRAFFIC CONTROL, ALL-INCLUSIVE).
8. THE CONTRACTOR SHALL MAKE ACCOMMODATIONS TO ENSURE REASONABLE PEDESTRIAN TRAVEL AT ALL TIMES. PAYMENT FOR THIS WORK SHALL BE CONSIDERED INCIDENTAL TO CONTRACT ITEM 900.645 SPECIAL PROVISION (TRAFFIC CONTROL, ALL-INCLUSIVE).
9. THE CONTRACTOR IS NOTIFIED THAT ALL ROADWAYS INCLUDED IN AND ASSOCIATED WITH THIS PROJECT ARE SUBJECT TO OCCASIONAL USE AND TRAVEL BY EMERGENCY RESPONSE VEHICLES. THE CONTRACTOR SHALL MAKE AND IMPLEMENT PLANS AND PROCEDURES DESIGNED TO ENSURE UNIMPEDED TRAVEL OF EMERGENCY RESPONSE VEHICLES THROUGH CONSTRUCTION ZONES AND SHALL SUBMIT THEM TO THE ENGINEER. ANY COSTS ASSOCIATED WITH SUCH PLANS AND PROCEDURES SHALL BE INCIDENTAL TO CONTRACT ITEM 900.645 SPECIAL PROVISION (TRAFFIC CONTROL, ALL-INCLUSIVE).
10. IMPACT ATTENUATORS SHALL BE PROVIDED TO PROTECT BARRIER ENDS AT ALL BARRIER END LOCATIONS. THESE ARE INCIDENTAL TO CONTRACT ITEM 900.645 SPECIAL PROVISION (TRAFFIC CONTROL - ALL-INCLUSIVE).

| | | | |
|-----------------|--------------|-------------------------------------|----------------|
| PROJECT NAME: | POULTNEY | PLOT DATE: | 23-AUG-2018 |
| PROJECT NUMBER: | STP 015-2(9) | DRAWN BY: | S. ZWICK |
| FILE NAME: | dlib048.typ | CHECKED BY: | C. LEACH |
| PROJECT LEADER: | K. UPMAL | TRAFFIC CONTROL TYP SECTION & NOTES | SHEET 44 OF 48 |
| DESIGNED BY: | S. ZWICK | | |