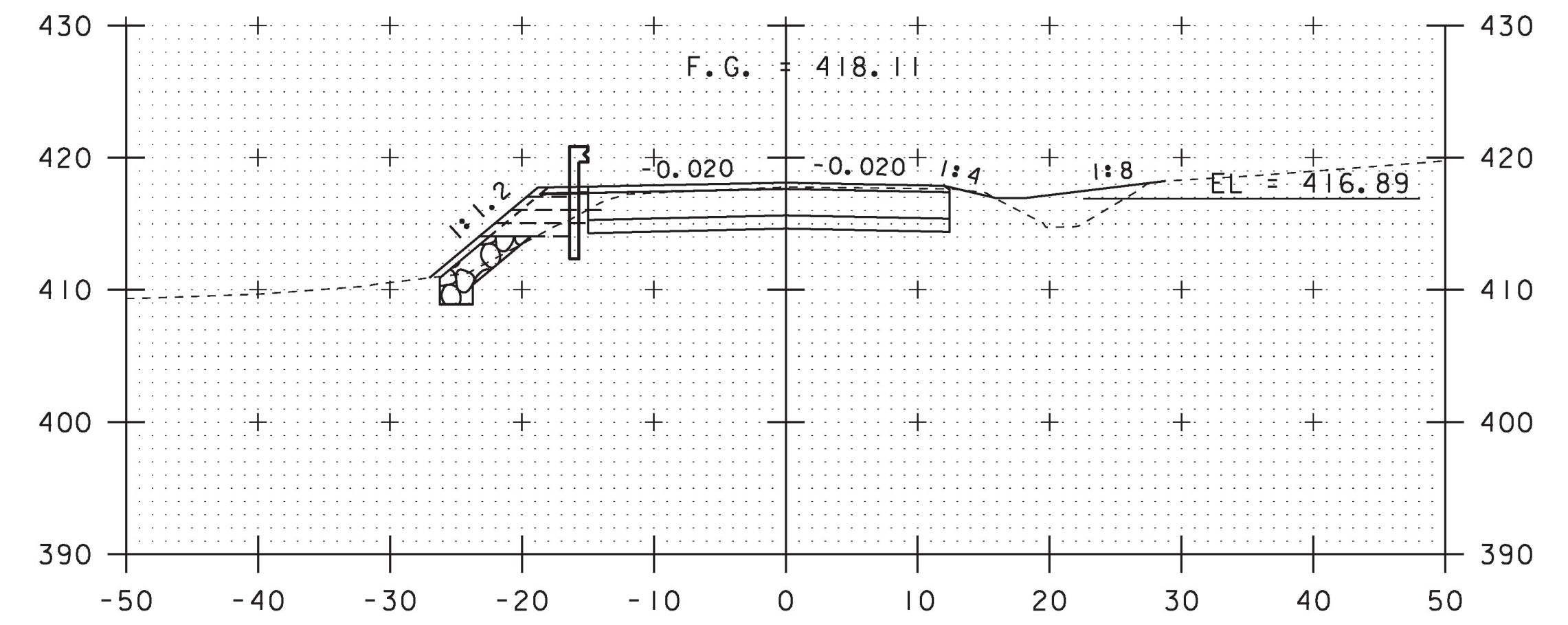
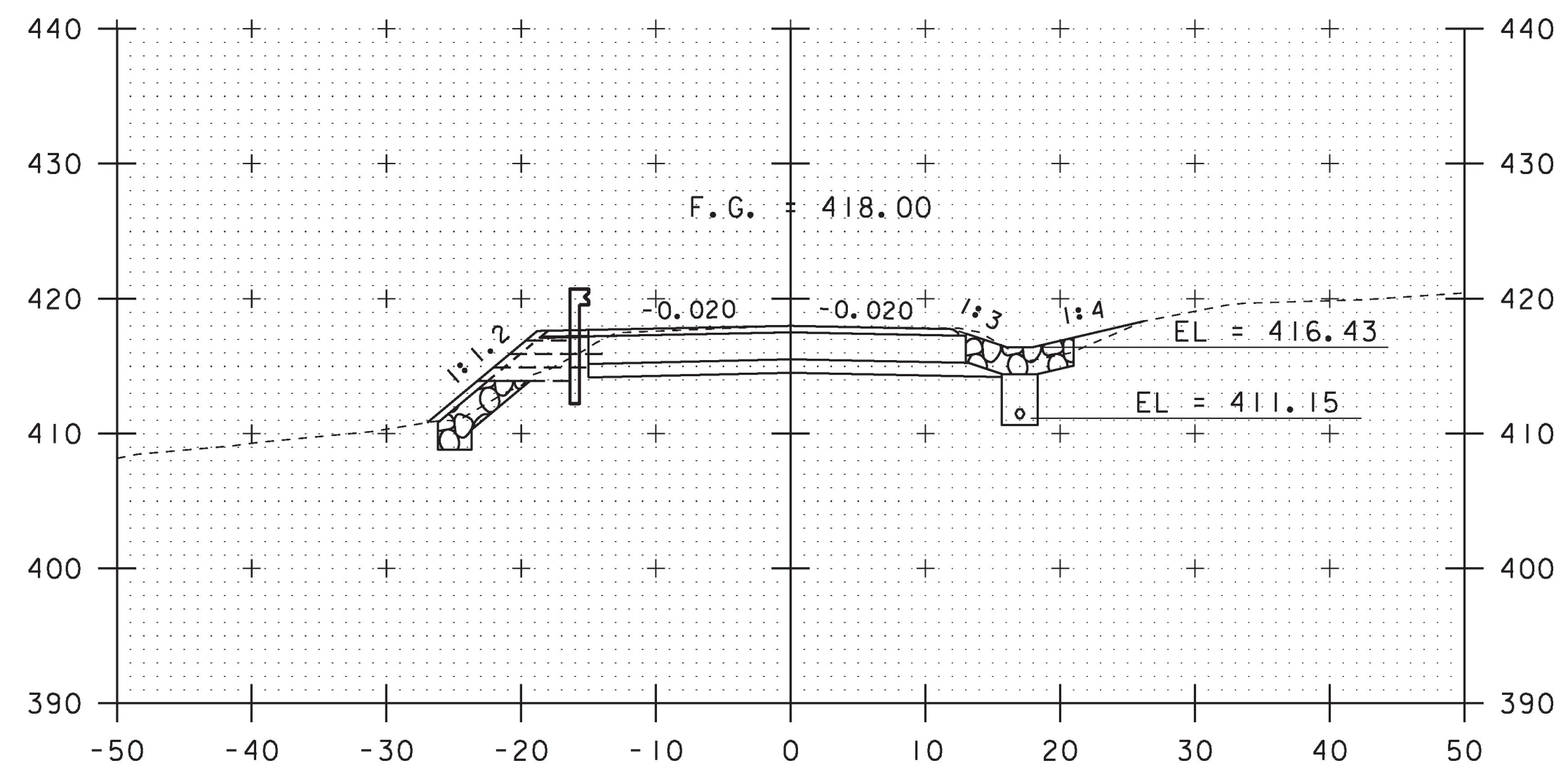


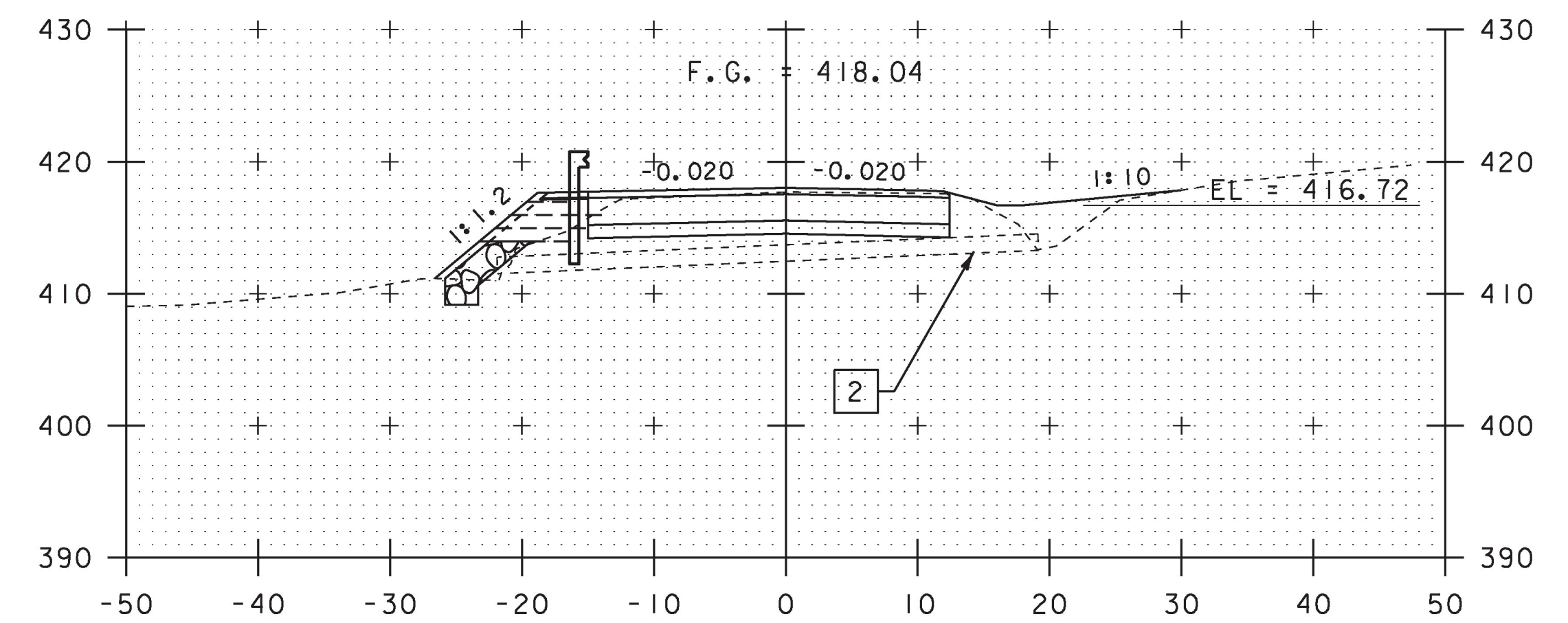
282+70



283+00
END PROJECT STP 015-2(9)
BEGIN APPROACH



282+50



282+83

STA. 282+50 TO STA. 283+00

PROJECT NAME: POULTNEY	PLOT DATE: 23-AUG-2018
PROJECT NUMBER: STP 015-2(9)	DRAWN BY: S. ZWICK
FILE NAME: dl1b048wrk	CHECKED BY: C. LEACH
PROJECT LEADER: K. UPMAL	SHEET 41 OF 48
DESIGNED BY: S. ZWICK	
CROSS SECTION SHEET 5	