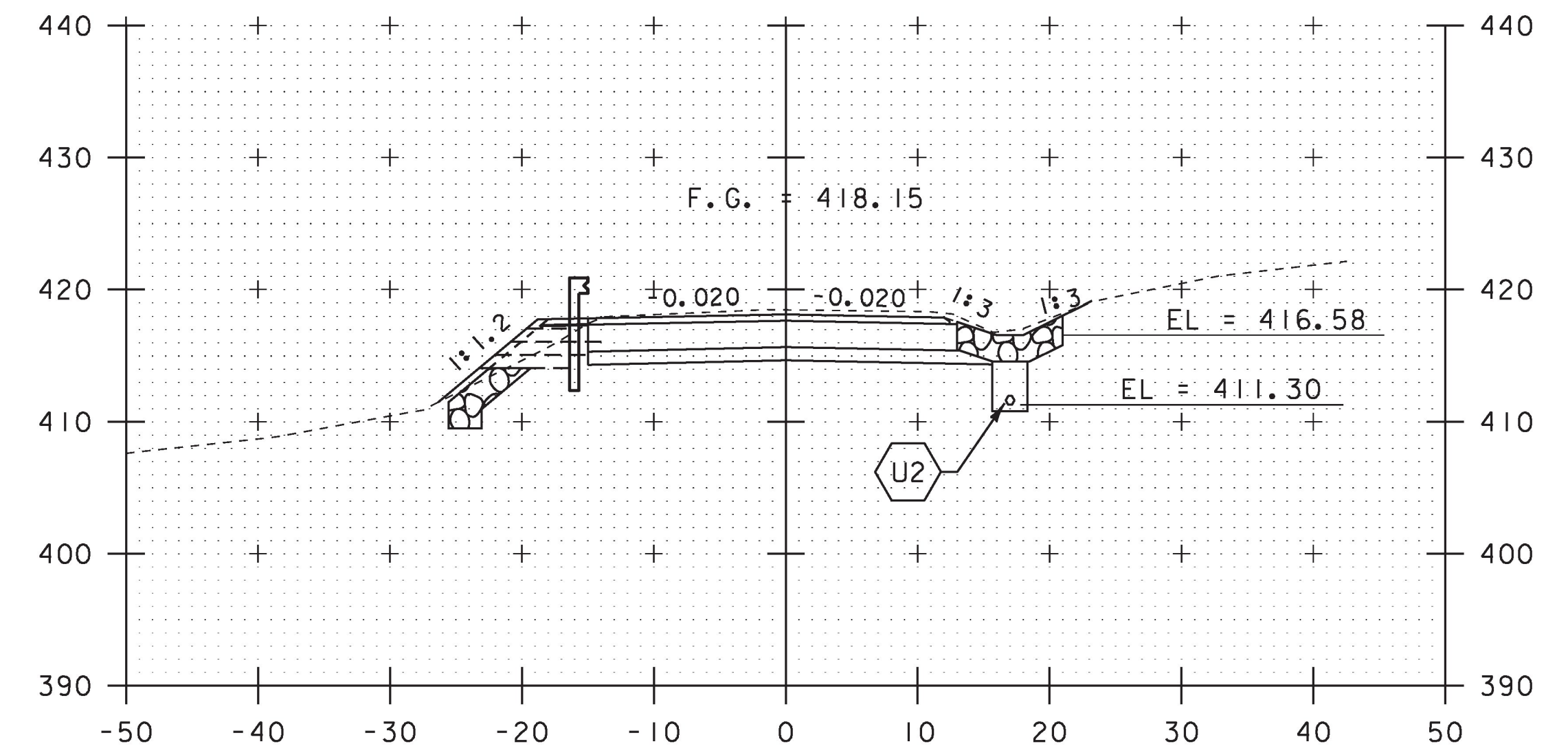
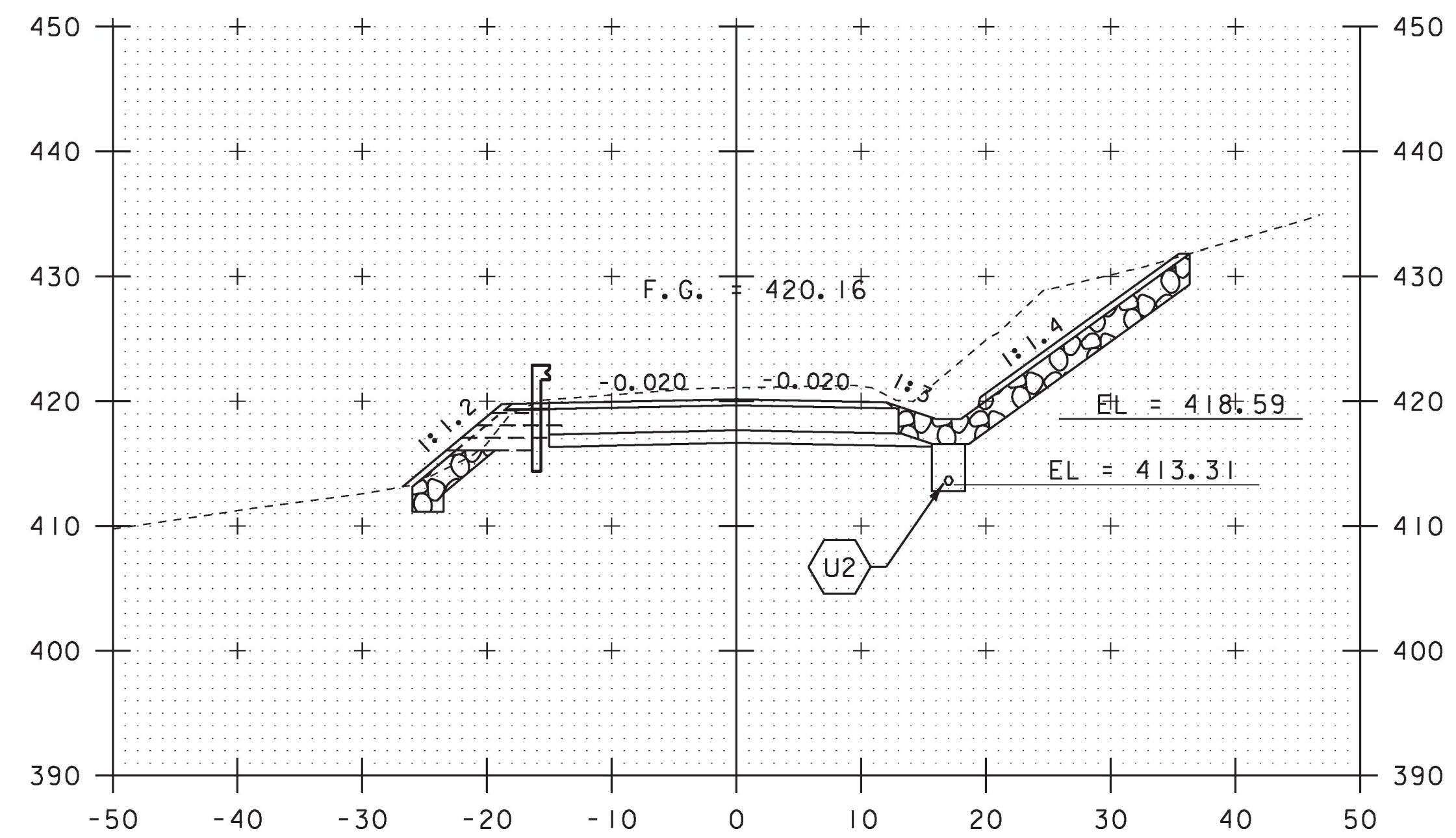


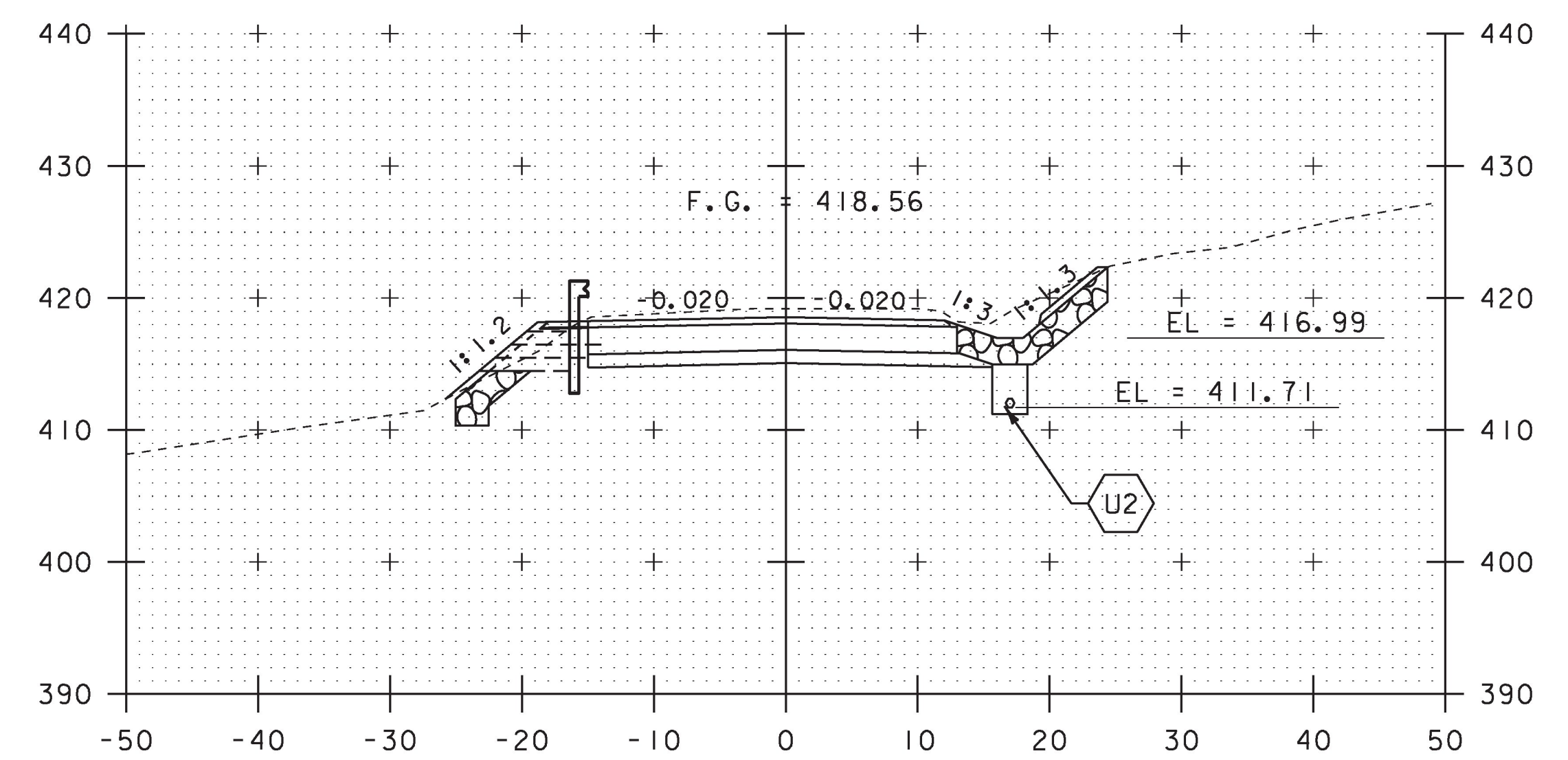
281+00



282+00



280+50



281+50

STA. 280+50 TO STA. 282+00

| | |
|------------------------------|------------------------|
| PROJECT NAME: POULTNEY | PLOT DATE: 23-AUG-2018 |
| PROJECT NUMBER: STP 015-2(9) | DRAWN BY: S. ZWICK |
| FILE NAME: dl1b048wrk | CHECKED BY: C. LEACH |
| PROJECT LEADER: K. UPMAL | SHEET 40 OF 48 |
| DESIGNED BY: S. ZWICK | |
| CROSS SECTION SHEET 4 | |