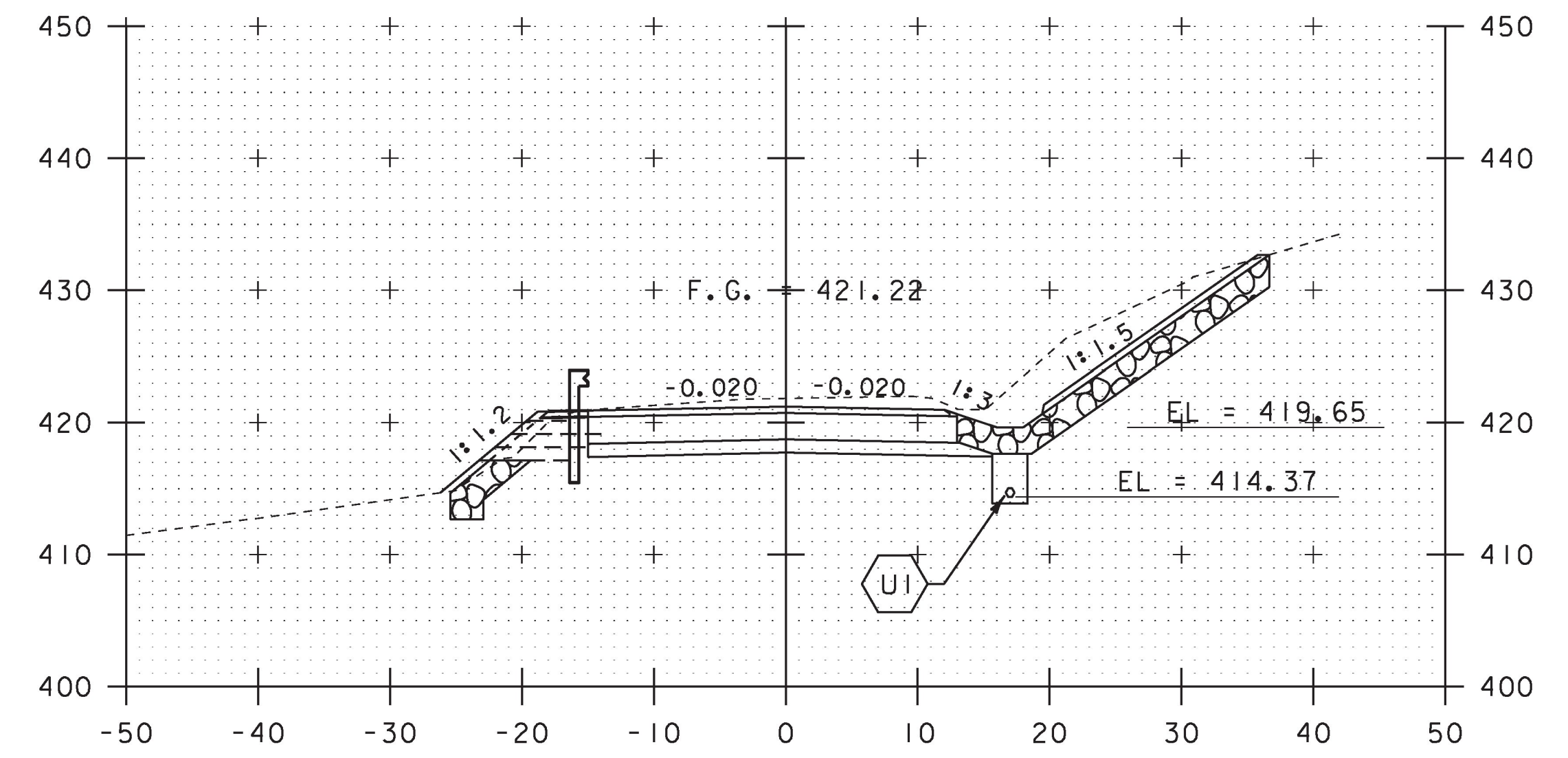
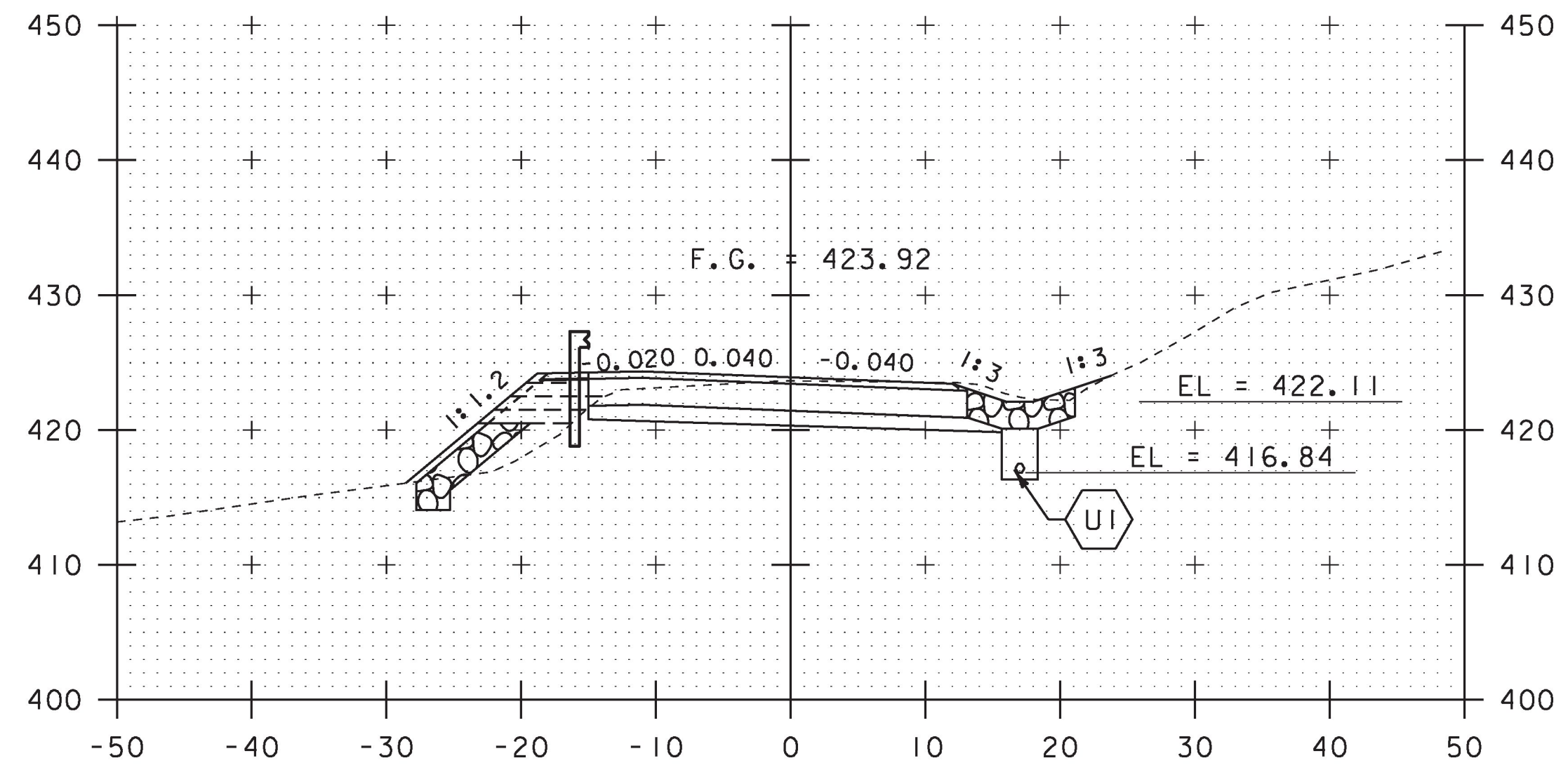


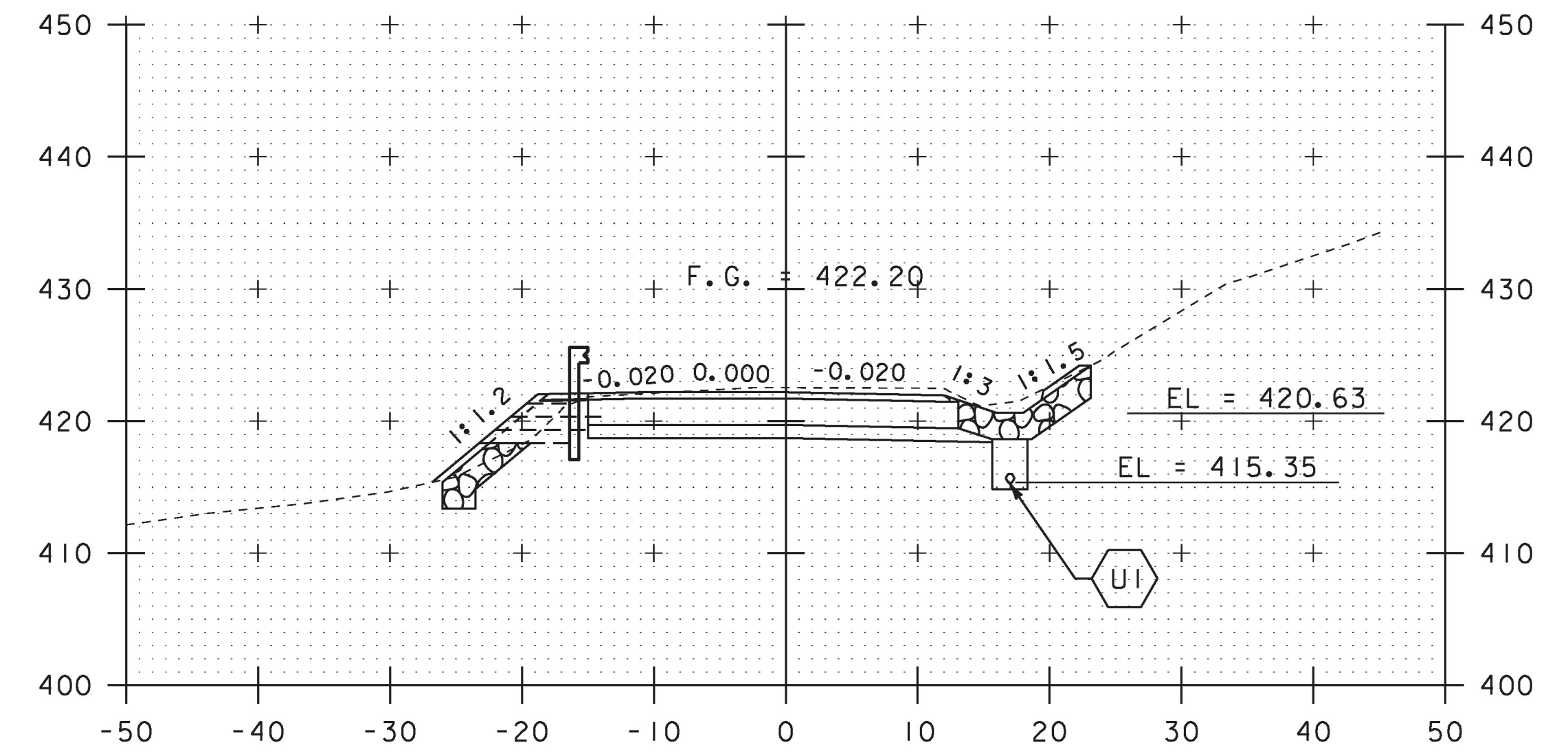
279+00



280+00



278+50



279+50

PROJECT NAME: POULTNEY	PLOT DATE: 23-AUG-2018
PROJECT NUMBER: STP 015-2(9)	DRAWN BY: S. ZWICK
FILE NAME: dl1b048wrk	CHECKED BY: C. LEACH
PROJECT LEADER: K. UPMAL	SHEET 39 OF 48
DESIGNED BY: S. ZWICK	
CROSS SECTION SHEET 3	

STA. 278+50 TO STA. 280+00