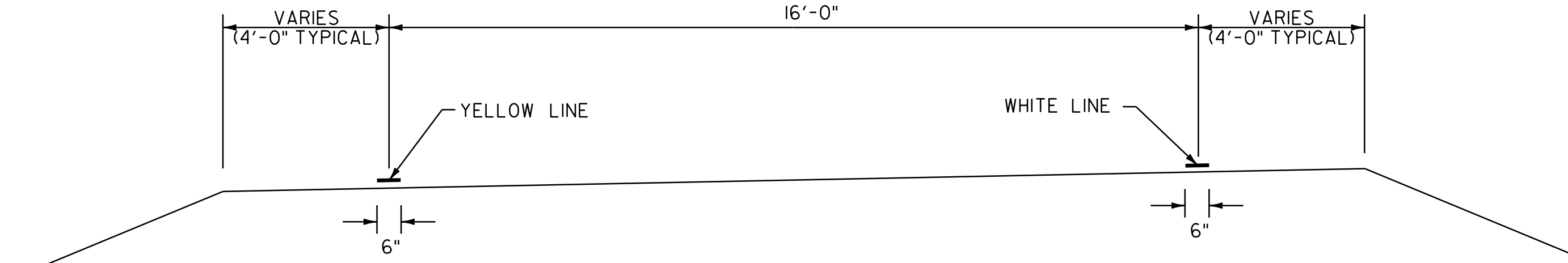
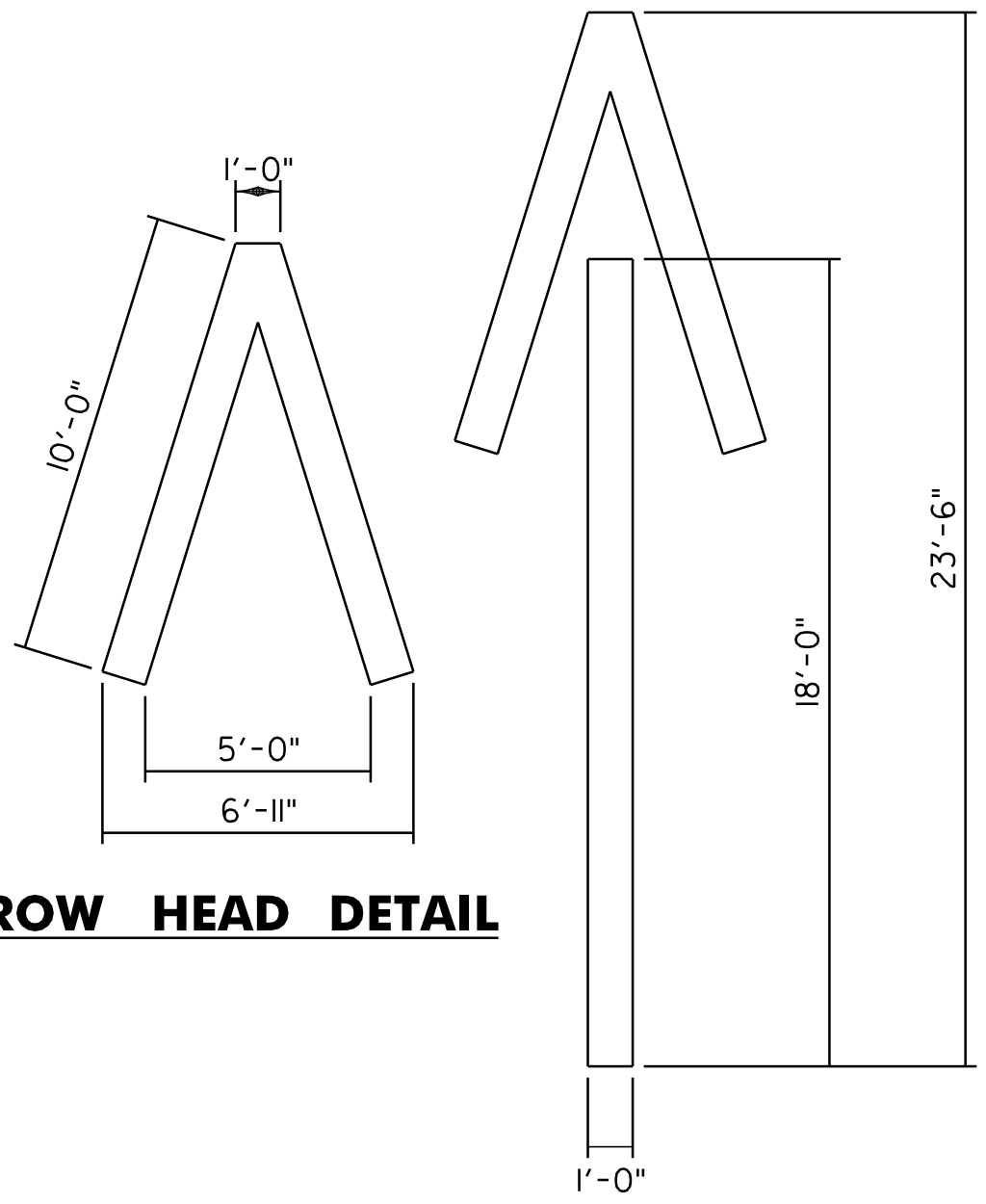


PAVEMENT MARKING PLACEMENT DETAIL - MAINLINE
 DETAIL SHOWN FOR NORTHBOUND TYPICAL FACING NORTH (WITH STATIONING)
 CROSS SECTION VIEW
 NOT TO SCALE

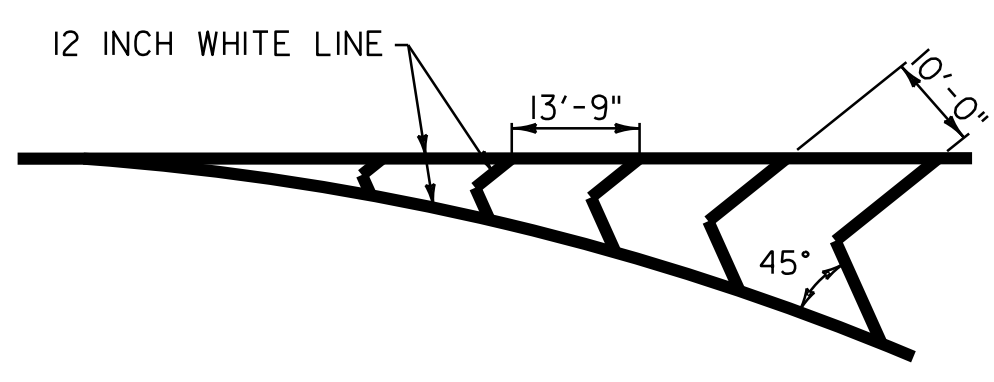


PAVEMENT MARKING PLACEMENT DETAIL - RAMPS
 DETAIL SHOWN FACING DIRECTION OF TRAVEL
 CROSS SECTION VIEW
 NOT TO SCALE

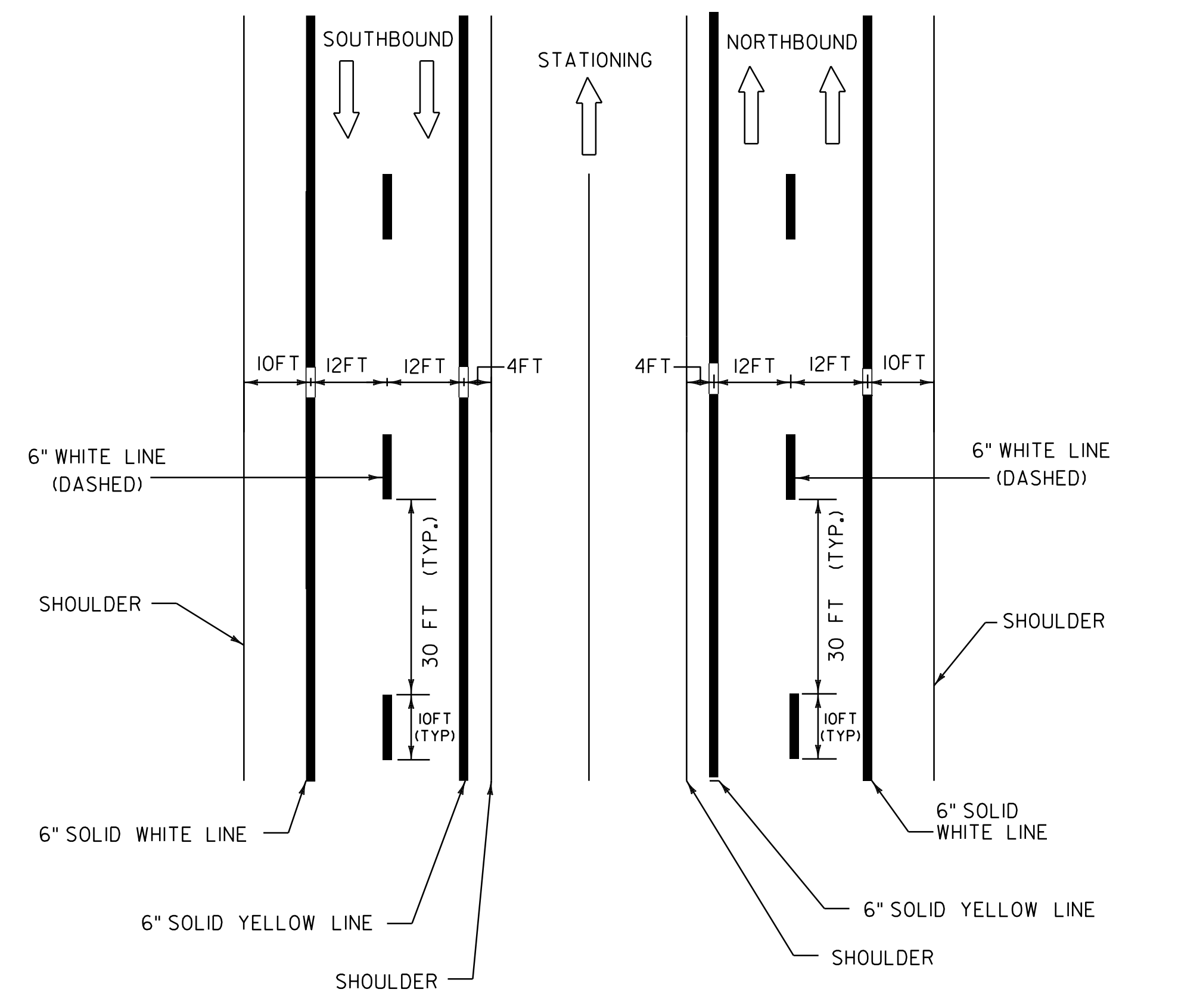


ARROW HEAD DETAIL

WRONG WAY ARROW

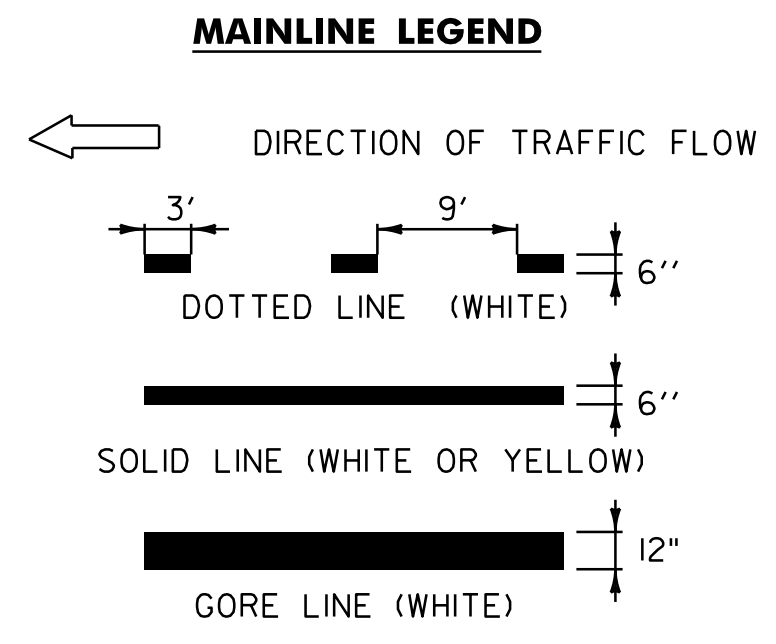


GORE MARKING DETAIL
 SEE LAYOUT SHEETS FOR LOCATIONS

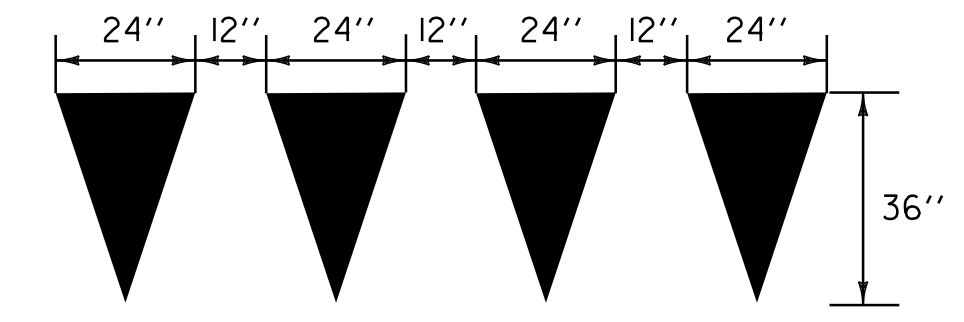


PAVEMENT MARKING LINE DETAILS

SEE MAINLINE AND INTERCHANGE LAYOUT SHEETS FOR LOCATIONS AND MATERIALS



MAINLINE LEGEND



YIELD LINE DETAIL

TO BE PAID AS ONE SYMBOL PER TRIANGLE

NOT TO SCALE

PAVEMENT MARKING SHEET 2

PROJECT NAME: BENNINGTON-MANCHESTER
 PROJECT NUMBER: NH SURF(29)

FILE NAME: 11b026.dgn
 PROJECT LEADER: M. FOWLER
 DESIGNED BY: PVT. MGT.
 IPARM FILE: 11b026-54.i

PLOT DATE: 22-AUG-2013 14:33
 DRAWN BY: PVT. MGT.
 CHECKED BY: PVT. MGT.
 SHEET 54 OF 62