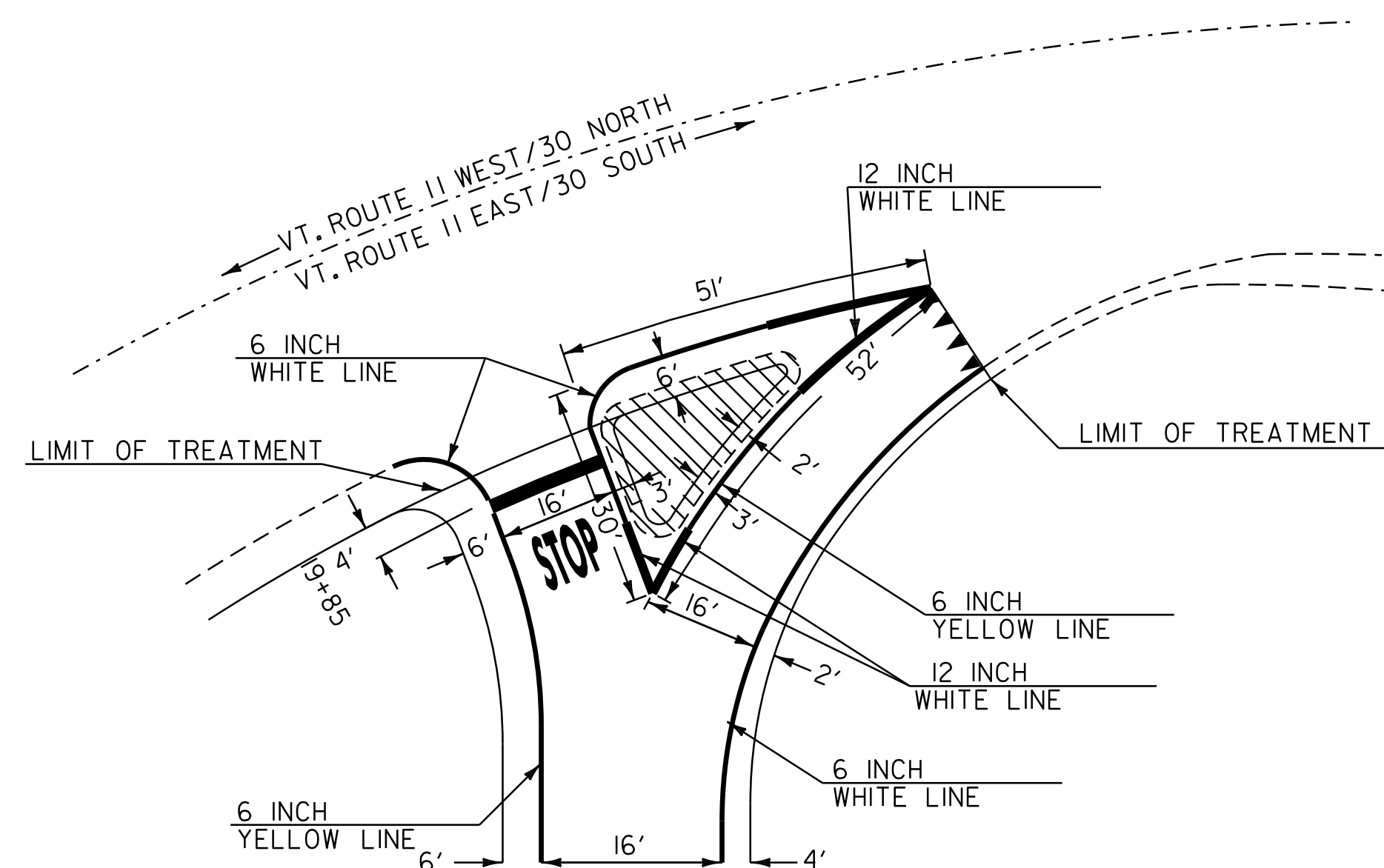
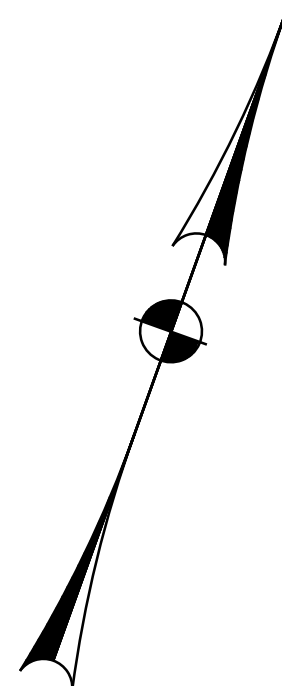


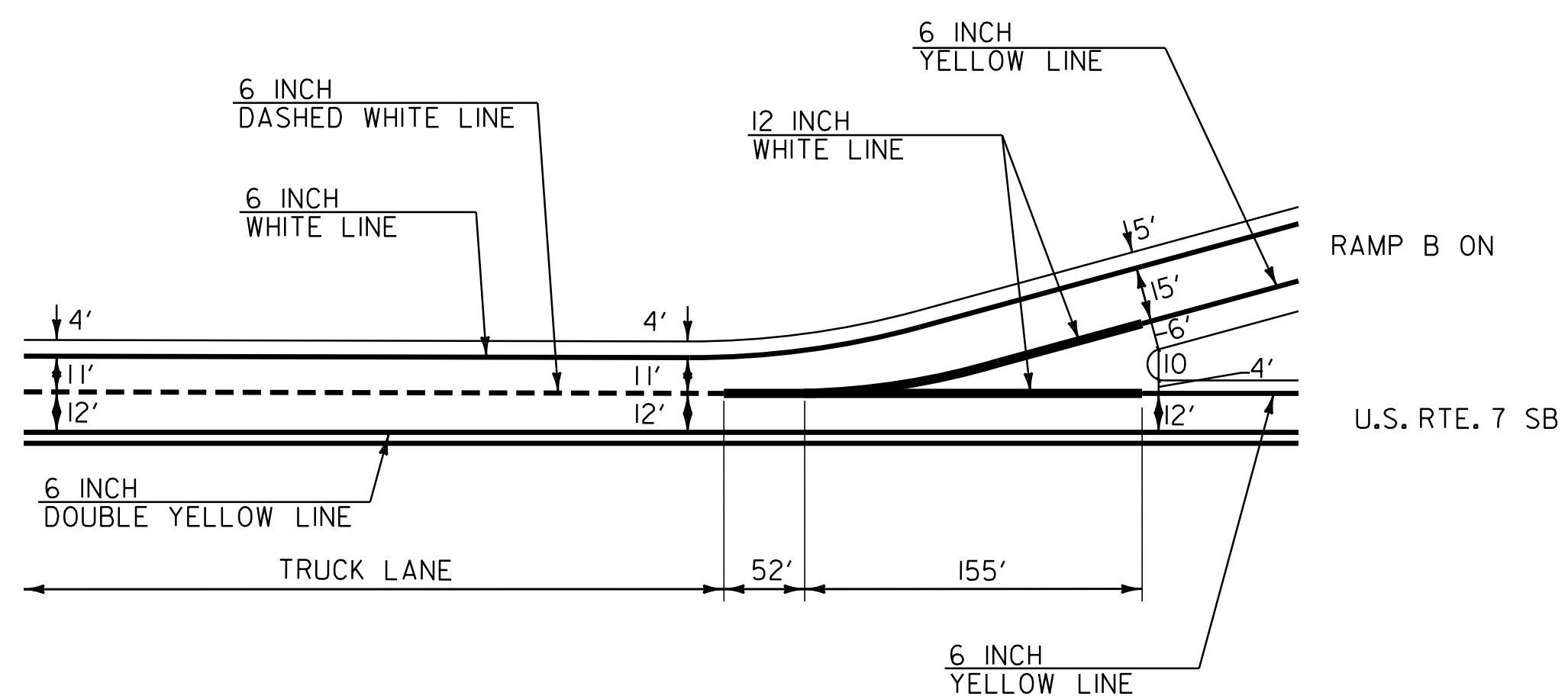
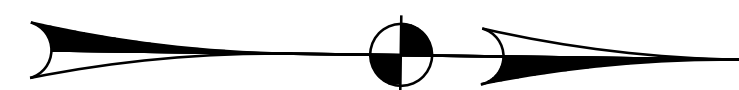
MANCHESTER INTERCHANGE EXIT NO. 4

RAMP A-PARALLEL DECELERATION LANE
SEE SHEET 49
NOT TO SCALE



MANCHESTER INTERCHANGE EXIT NO. 4

RAMP A / VT. RTE. 11 / 30 INTERSECTION
SEE SHEET 49
NOT TO SCALE



MANCHESTER INTERCHANGE EXIT NO. 4

RAMP B-PARALLEL ACCELERATION LANE
SEE SHEET 49
NOT TO SCALE

**INTERCHANGE
GORE
DETAIL
#3**

PROJECT NAME: BENNINGTON-MANCHESTER
PROJECT NUMBER: NH SURF(29)

FILE NAME: 11b026.dgn
PROJECT LEADER: M. FOWLER
DESIGNED BY: JLR
11b026-52.i

PLOT DATE: 22-AUG-2013 14:33
DRAWN BY: JLR
CHECKED BY: PVT. MGT.
SHEET 52 OF 63