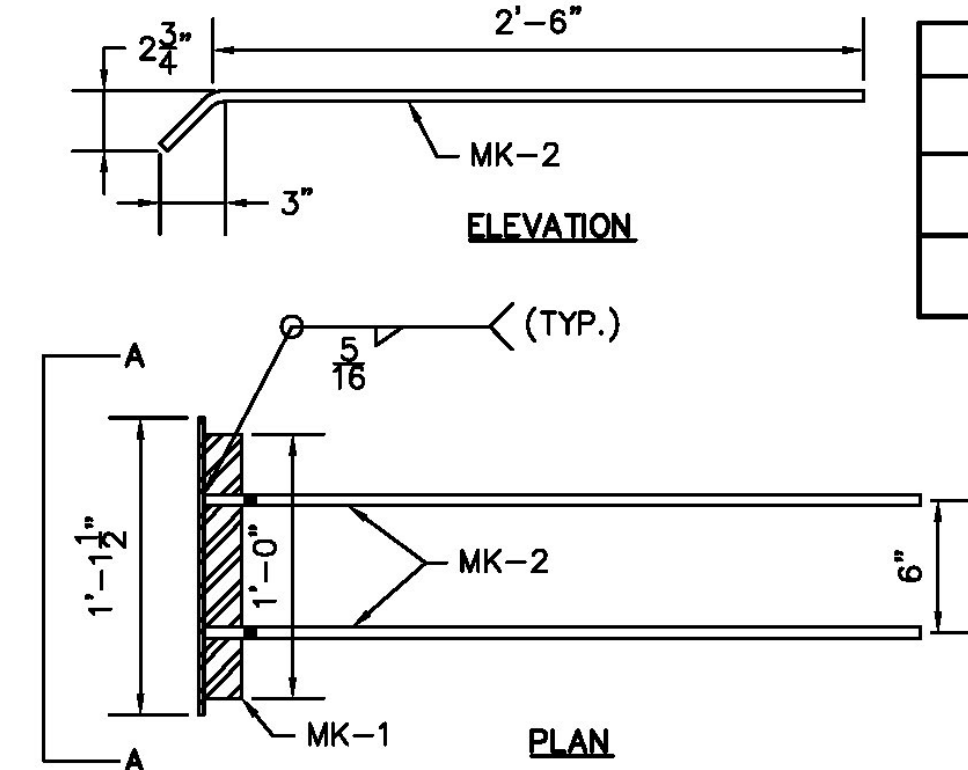
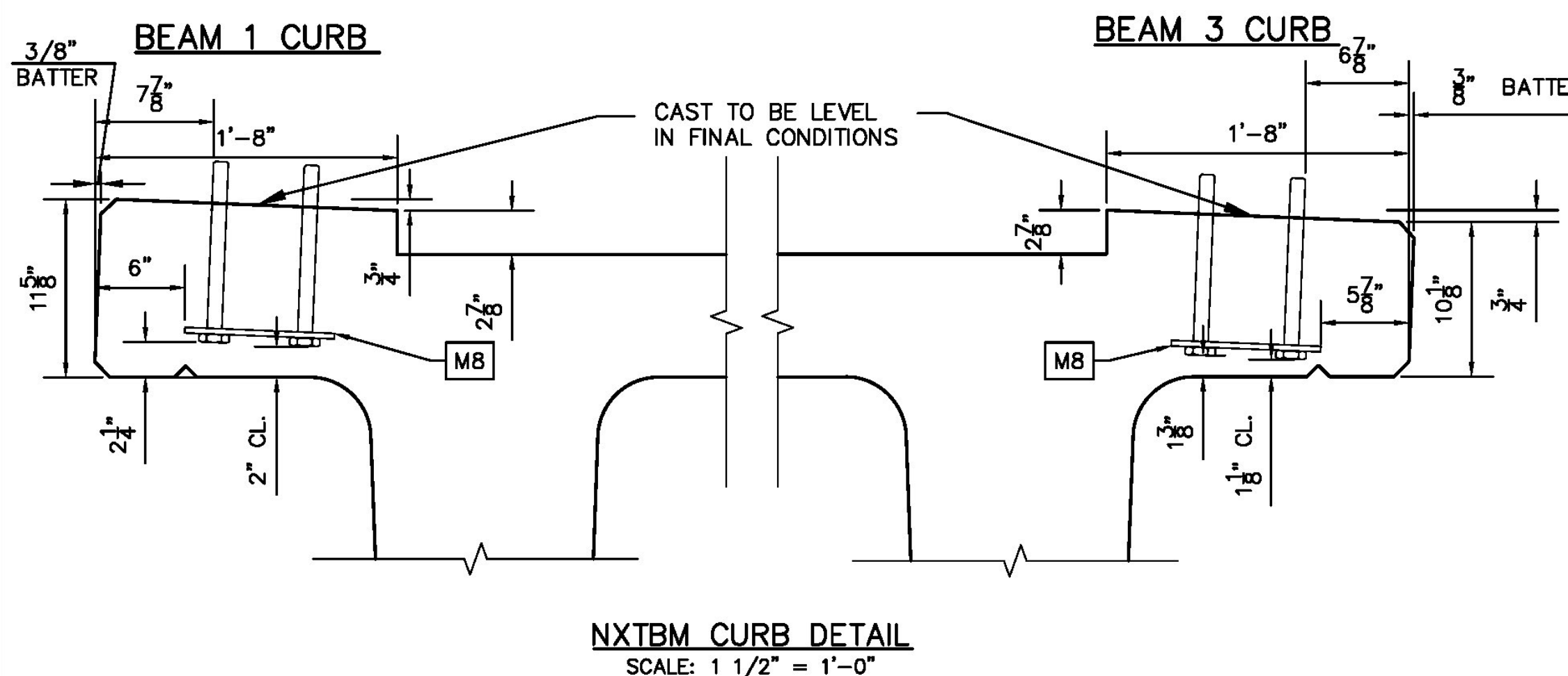
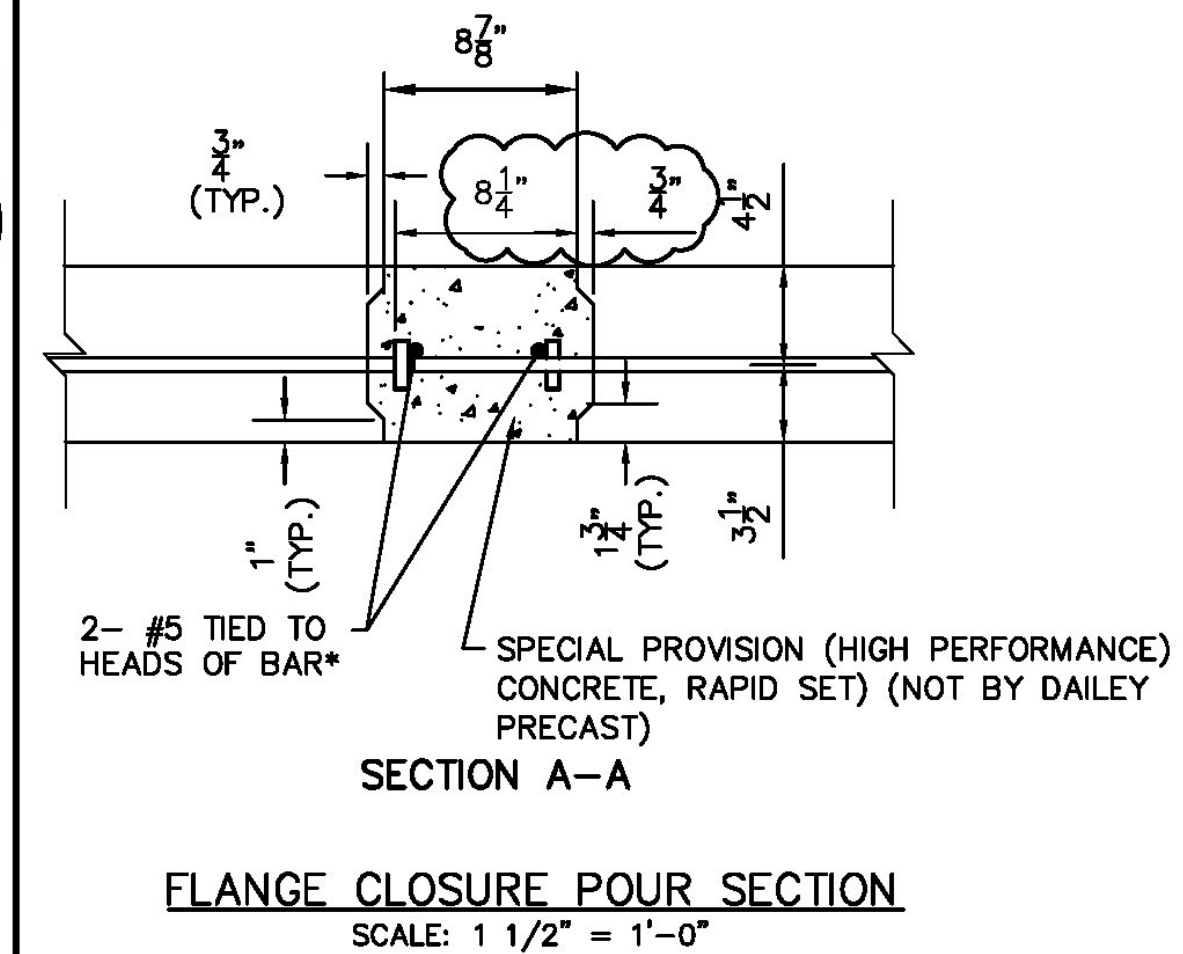
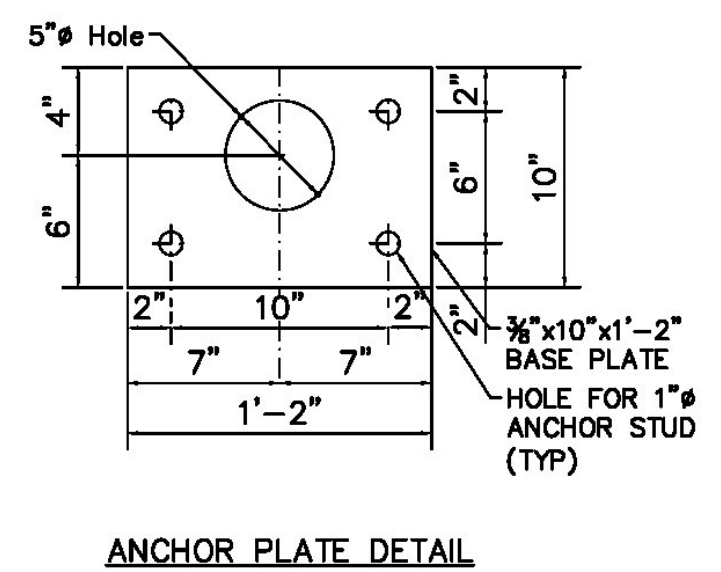
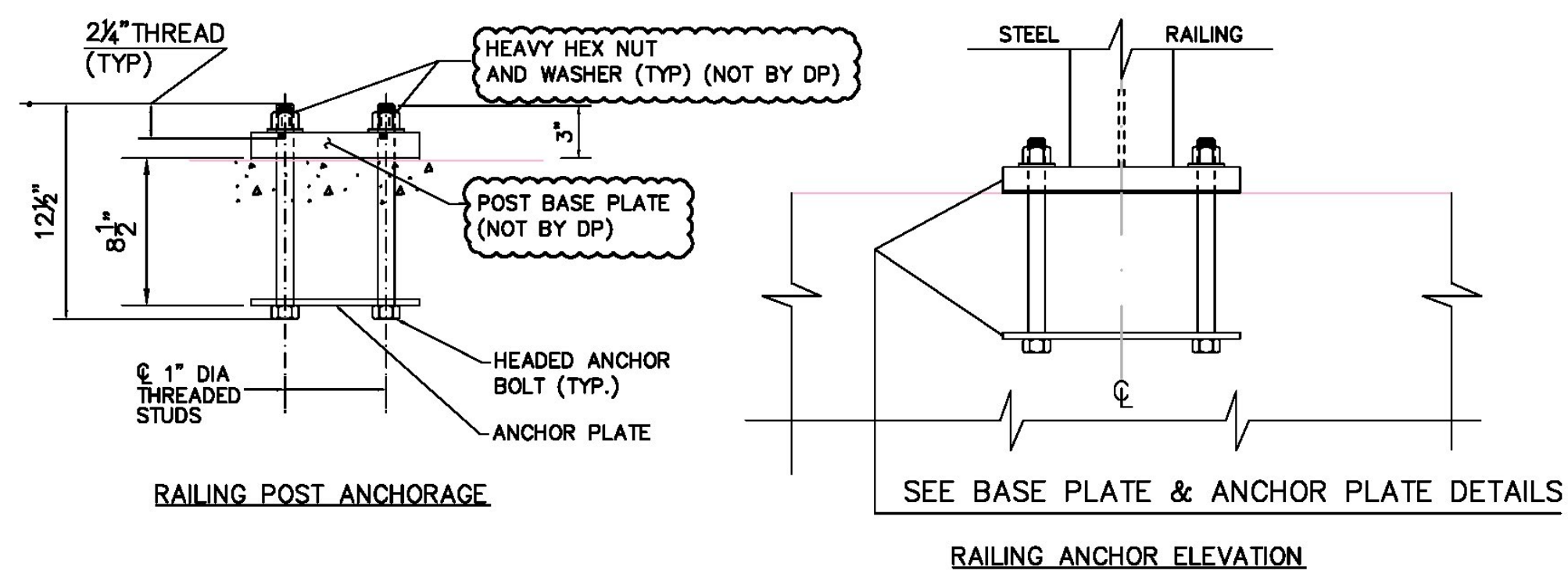
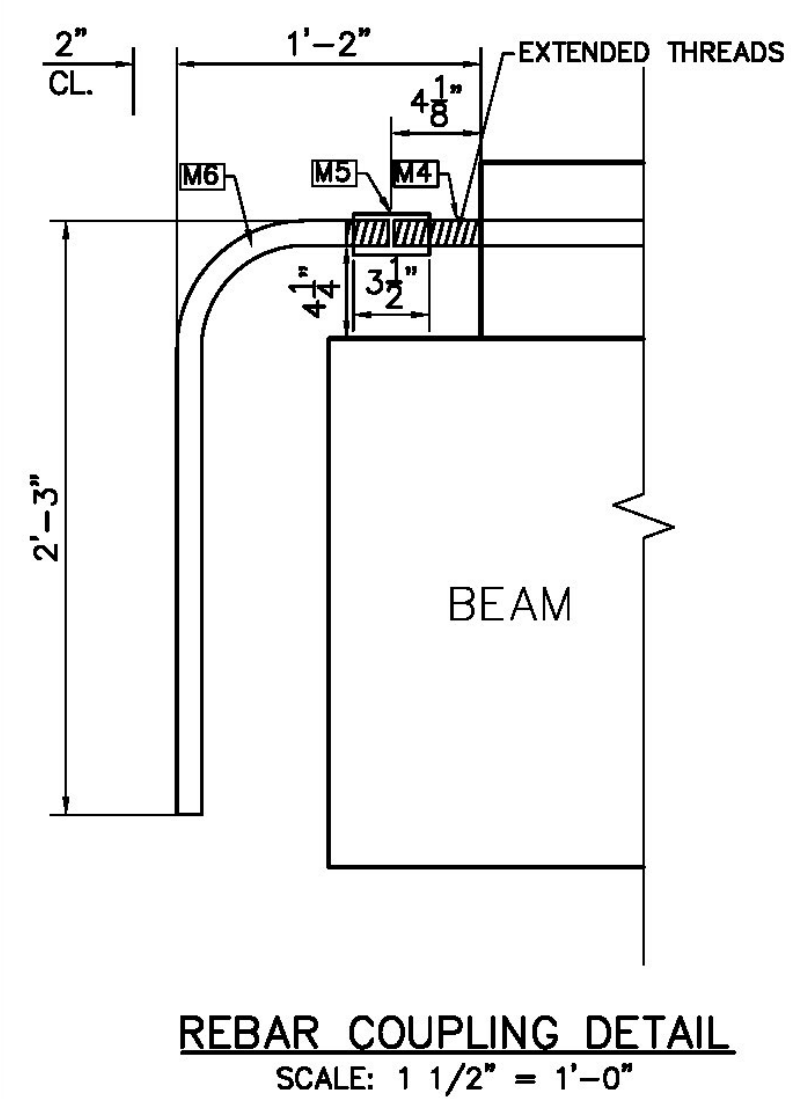


REINFORCEMENT CHART					
BAR MARK	BAR SIZE	COATING	BENT/STRAIGHT	LENGTH	QTY
R6	5	E	STRAIGHT	35'-2.00"	4
R23	5	E	BENT	22'-0.00"	4
R24	5	E	BENT	12'-0.00"	4



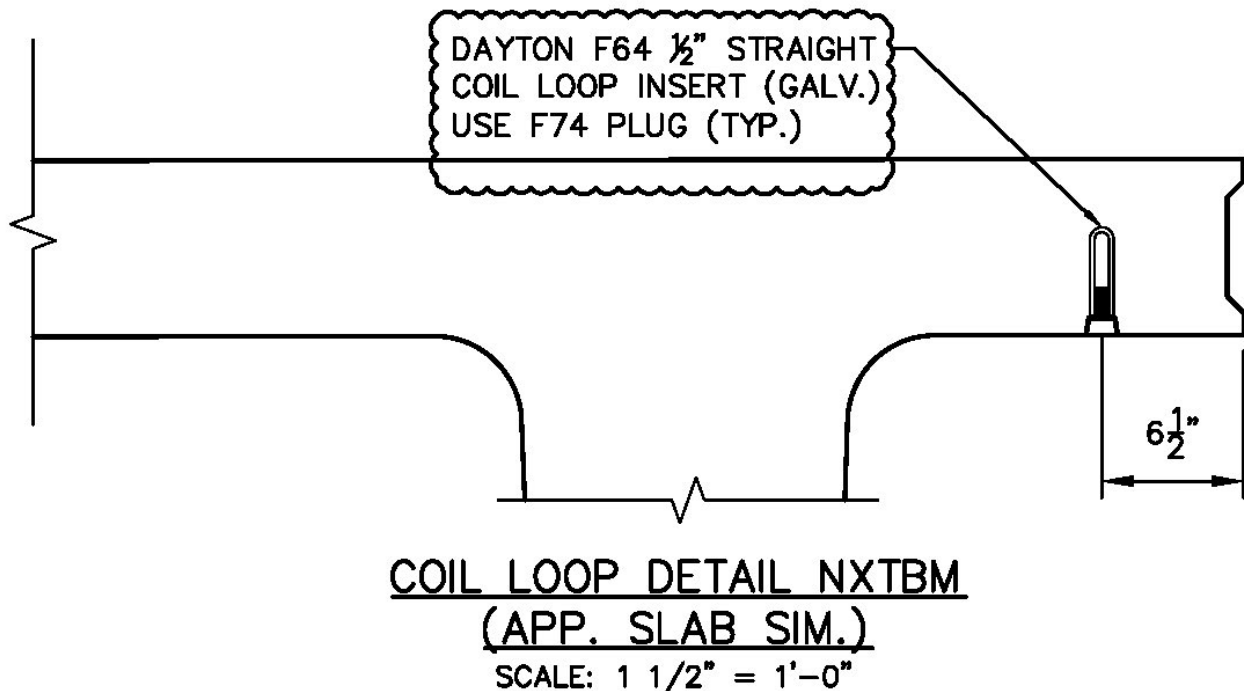
S6-REINFORCEMENT ASSEMBLY BILL OF MATERIALS				
MK	DESCRIPTION	SPEC/FINISH	QTY. PER BEAM	QTY. TOTAL
1	L2X2X1/2X1'-1 1/2"	GALV.	4	12
2	#4 X 2'-9" REBAR	GALV.	8	24

NOTE:
PLACE ANGLE (P900) CENTERED IN BEAM STEM FLUSH WITH BEAM FACE OF FORM. ADDITIONAL REINFORCEMENT PROVIDED TO AID IN THE PREVENTION OF BEAM END CRACKING.



RAIL POST ANCHOR ASSEMBLY
SCALE: 1 1/2" = 1'-0"

NOTE:
AFTER TEMPORARY INSERT USE IS COMPLETE, PATCH OVER INSERT WITH NON-SHRINK CONCRETE PATCH MATERIAL. COLOR TO MATCH SURROUNDING CONCRETE. (NOT BY DAILEY PRECAST)



CONSTRUCTION SET DATE: 06/28/2013	
SHEET NAME: DETAILS	
REVISION NO.	REVISION DATE

Dailey PRECAST

WILLIAM E. DAILEY PRECAST, LLC
295 AIRPORT ROAD
SHAFTSBURY, VT 05262
TEL: 802.442.4418 FAX: 802.442.0738

STATE OF VERMONT
Professional Engineer
No. 8126
Structural

EIV TECHNICAL SERVICES

55 LIBBOY ROAD, WILLISTON, VT 05495
TEL: (802) 497-3653 FAX: (802) 497-3656

DATE: JUNE 2013 PROJECT # E1729
DRAWN BY: LKW/CN CHECKED BY: CHS

STATE OF VERMONT AGENCY OF TRANSPORTATION

PLYMOUTH, VERMONT
PROJECT NO: ER BRS 0149(5)

SHEET 8 OF 9