

**NOTES:**

(1) NXTBM-03 REQUIRED

**FINISHES**  
 TOP: BROOM (1/8" AMP MAX.)  
 SIDES: STEEL FORM  
 BOTTOM: STEEL FORM  
 ENDS: FORM

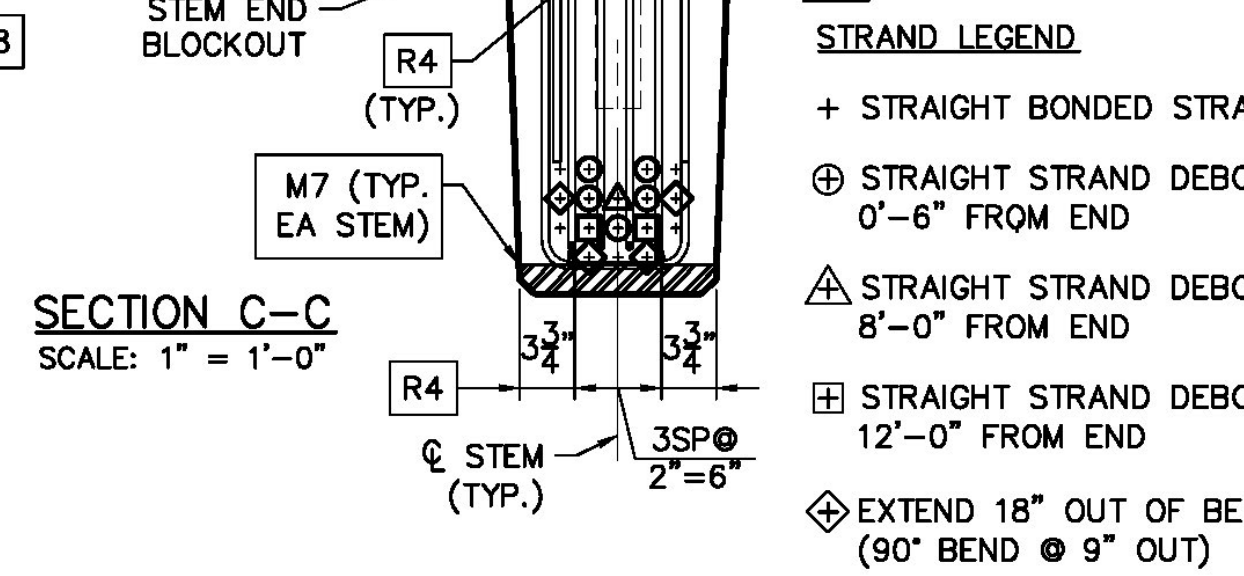
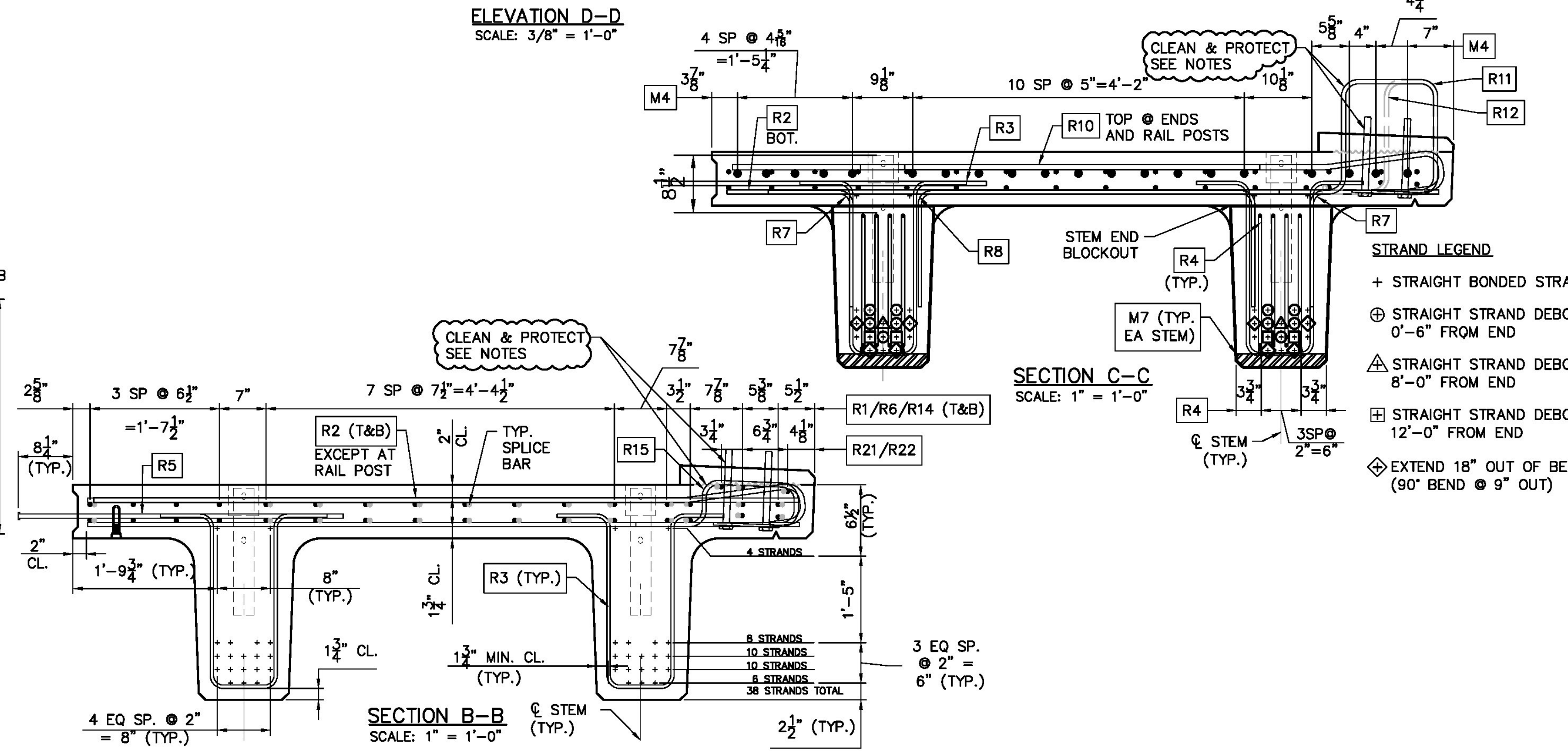
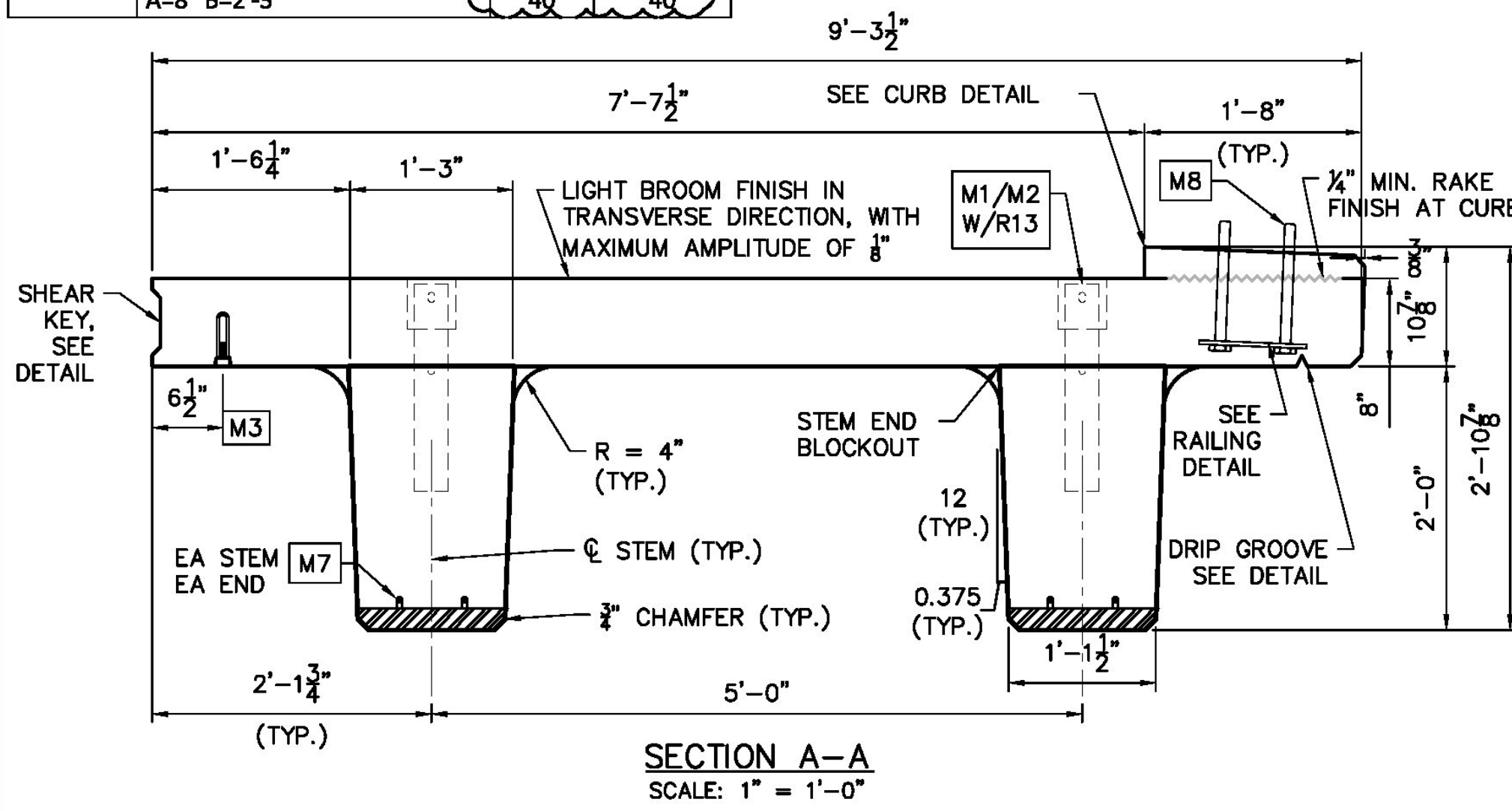
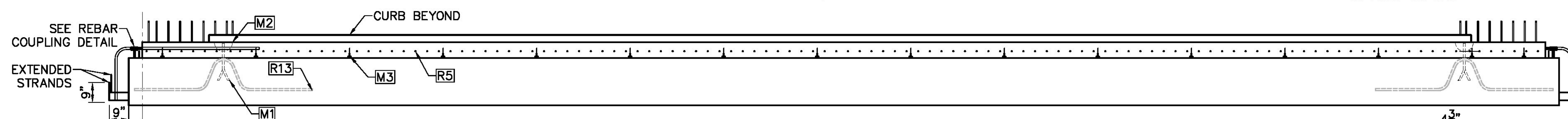
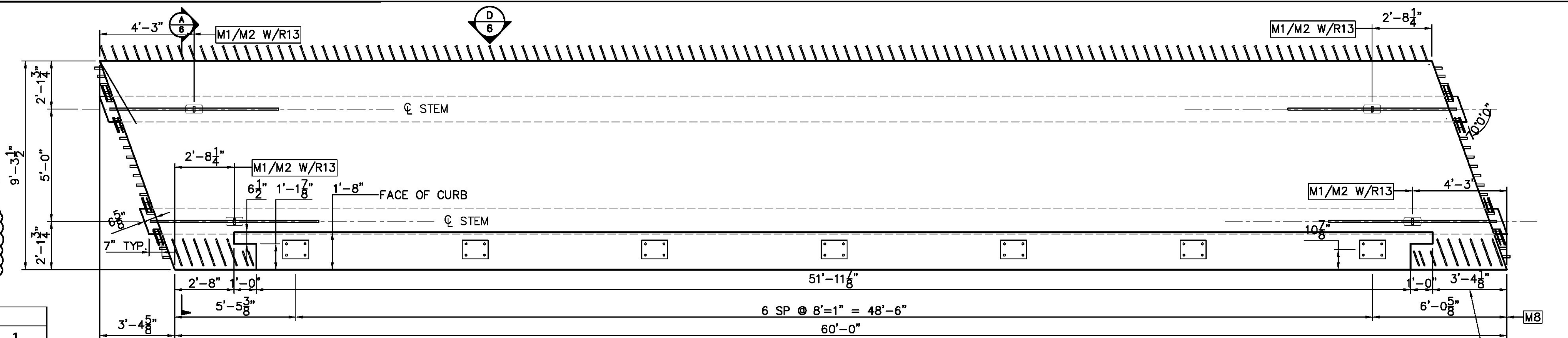
BEAMS SHALL BE HANDLED AND ERECTED USING LIFTERS ONLY. THE MINIMUM SLING ANGLE FOR SHOP PICKING SHALL BE 90° FROM THE HORIZONTAL. BEAMS SHALL BE STORED AND TRANSPORTED WITH TIMBER SUPPORTS LOCATED BELOW THE LIFTERS U.O.N.

WIPE CLEAN CURB REINF. PRIOR TO FINISHING BEAM TOP.

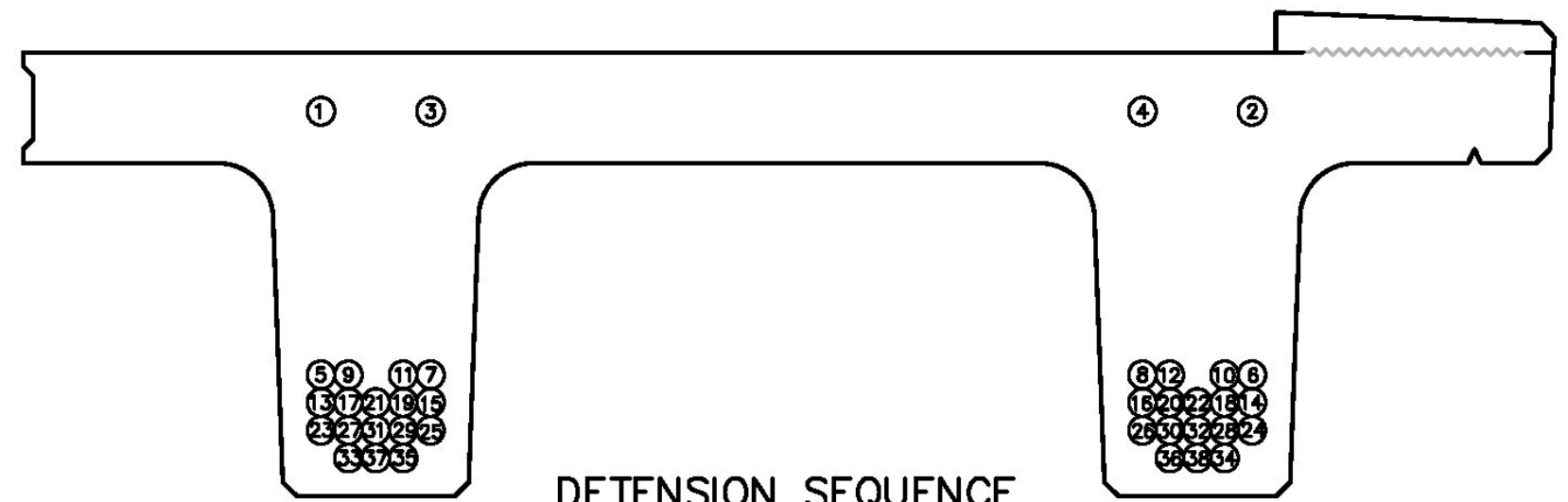
RAIL POST ANCHOR SHALL BE PROTECTED FROM CONCRETE ABOVE FINISHED CURB.

BEAM WEIGHT: 104,866 LBS

BILL OF MATERIALS			
MARK	NXTBM-03	QTY =	1
fc' =	8,000 PSI	@ 28 DAYS	fc' = 6,000 PSI
PART MARK	DESCRIPTION	QTY	TOTAL QTY
M1	MB RL-23 (79172) GALV.	4	4
M2	MB RL-45 (79166)	4	4
M3	DS F-64 FERRULE LOOP GALV.	16	16
M4	DS D-112 #9 A=5'-4" EPOXY	40	40
M7	P900 NXTBM END ASSEMBLY	4	4
M8	RAIL ASSEMBLY	7	7
	25.89 CY VT MIX ID # 53	1	1
	0.6" 7WS LR = 2348'-4"	1	1
INSTALL AFTER REMOVED FROM FORM			
M5	DS D-110 #9 (111520) EPOXY	40	40
M6	DS D-102 #9 EPOXY A=8" B=2'-3"	40	40

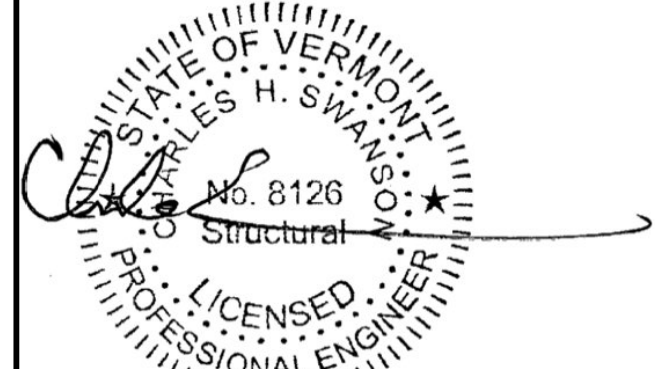


- STRAND LEGEND**
- + STRAIGHT BONDED STRAND
  - ⊕ STRAIGHT STRAND DEBOND 0'-6" FROM END
  - △ STRAIGHT STRAND DEBOND 8'-0" FROM END
  - ⊞ STRAIGHT STRAND DEBOND 12'-0" FROM END
  - ◇ EXTEND 18" OUT OF BEAM (90° BEND @ 9" OUT)



CONSTRUCTION SET DATE: 06/28/2013	
SHEET NAME: NXTBM-03 PLAN	
REVISION NO.	REVISION DATE

**Dailey PRECAST**  
 WILLIAM E. DAILEY PRECAST, LLC  
 295 AIRPORT ROAD  
 SHAFTSBURY, VT 05262  
 TEL: 802.442.4418 FAX: 802.442.0738



**EIV TECHNICAL SERVICES**  
 55 LEROY ROAD, WILLISTON, VT 05495  
 TEL: (802) 497-3653 FAX: (802) 497-3656  
 DATE: JUNE 2013 PROJECT # E1729  
 DRAWN BY: LKW/CN CHECKED BY: CHS

STATE OF VERMONT AGENCY OF TRANSPORTATION  
 PLYMOUTH, VERMONT  
 PROJECT NO: ER BRS 0149(5)  
**SHEET 6 OF 9**