

NOTES:

(1) NXTBM-01 REQUIRED

FINISHES
 TOP: BROOM (1/8" AMP MAX.)
 SIDES: STEEL FORM
 BOTTOM: STEEL FORM
 ENDS: FORM

DIMENSION REVISED TO PROVIDE C.C. TO FIRST R9 BAR

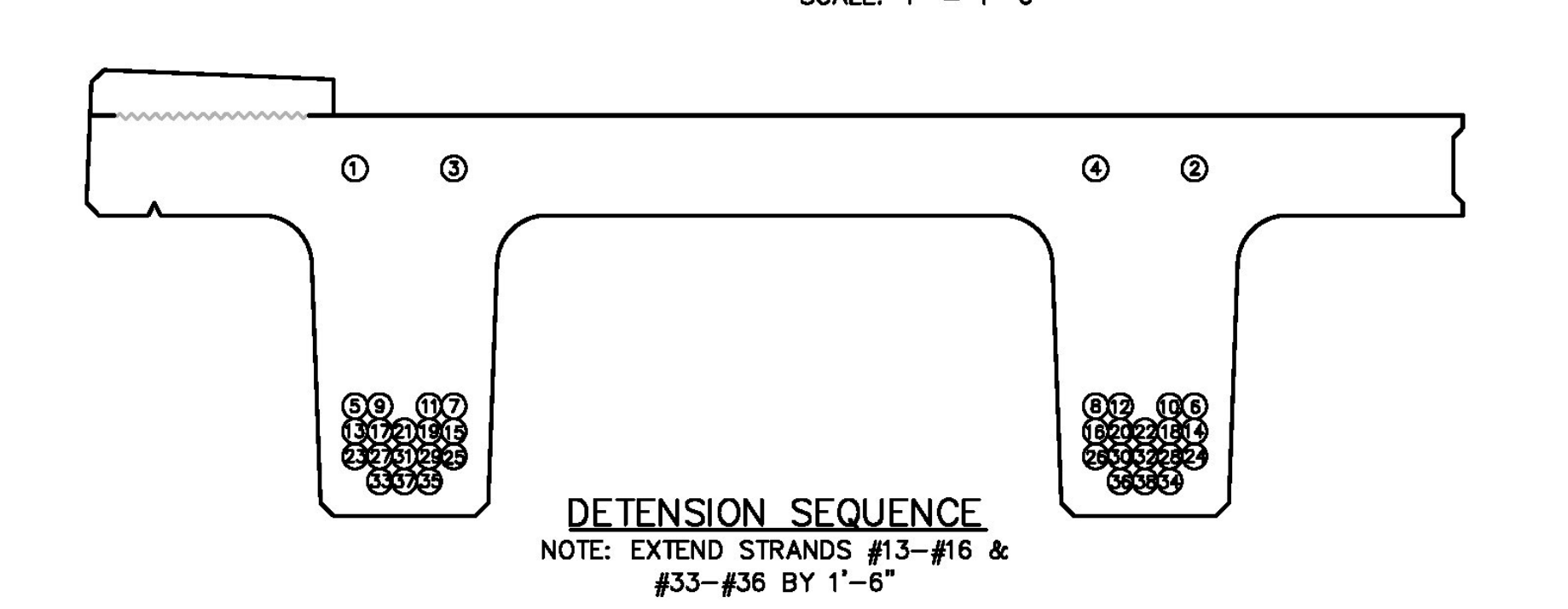
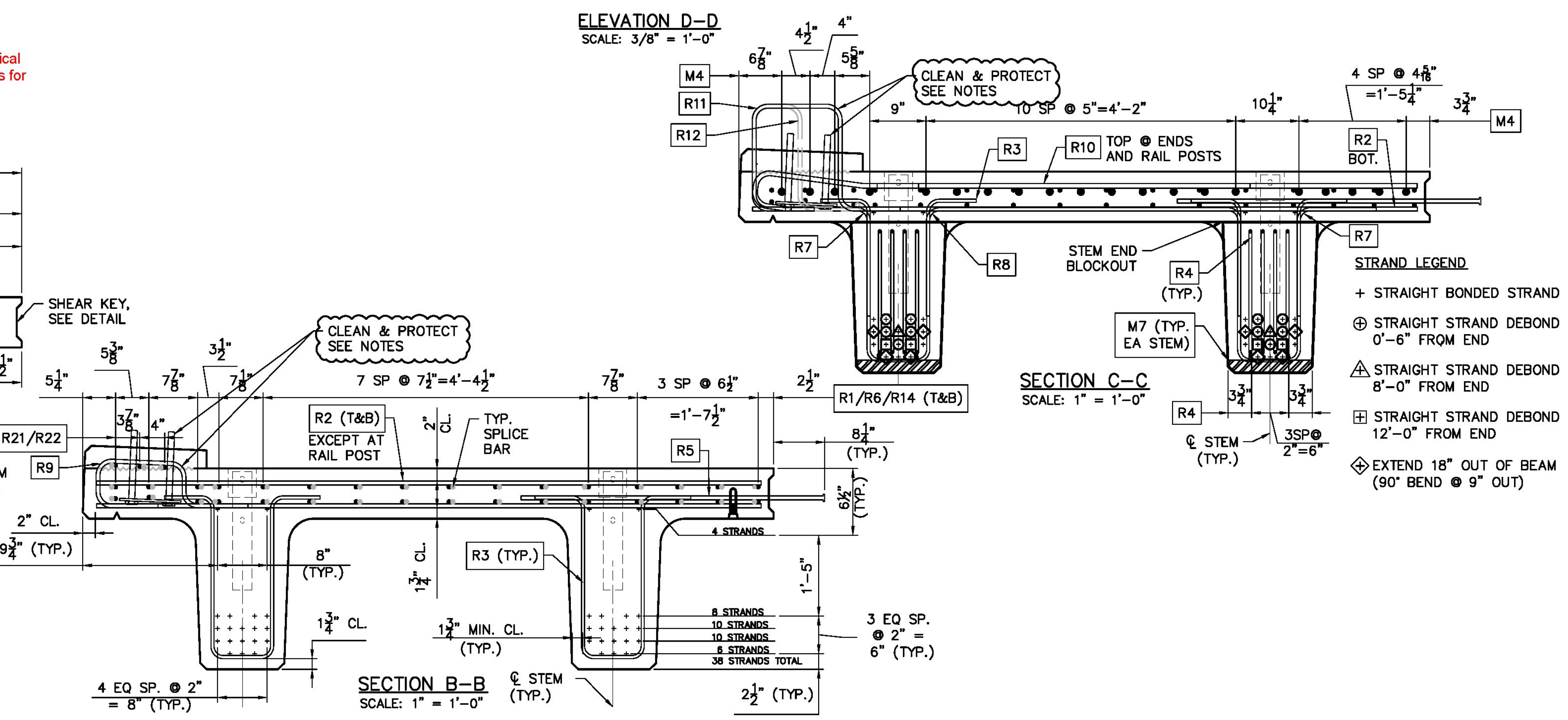
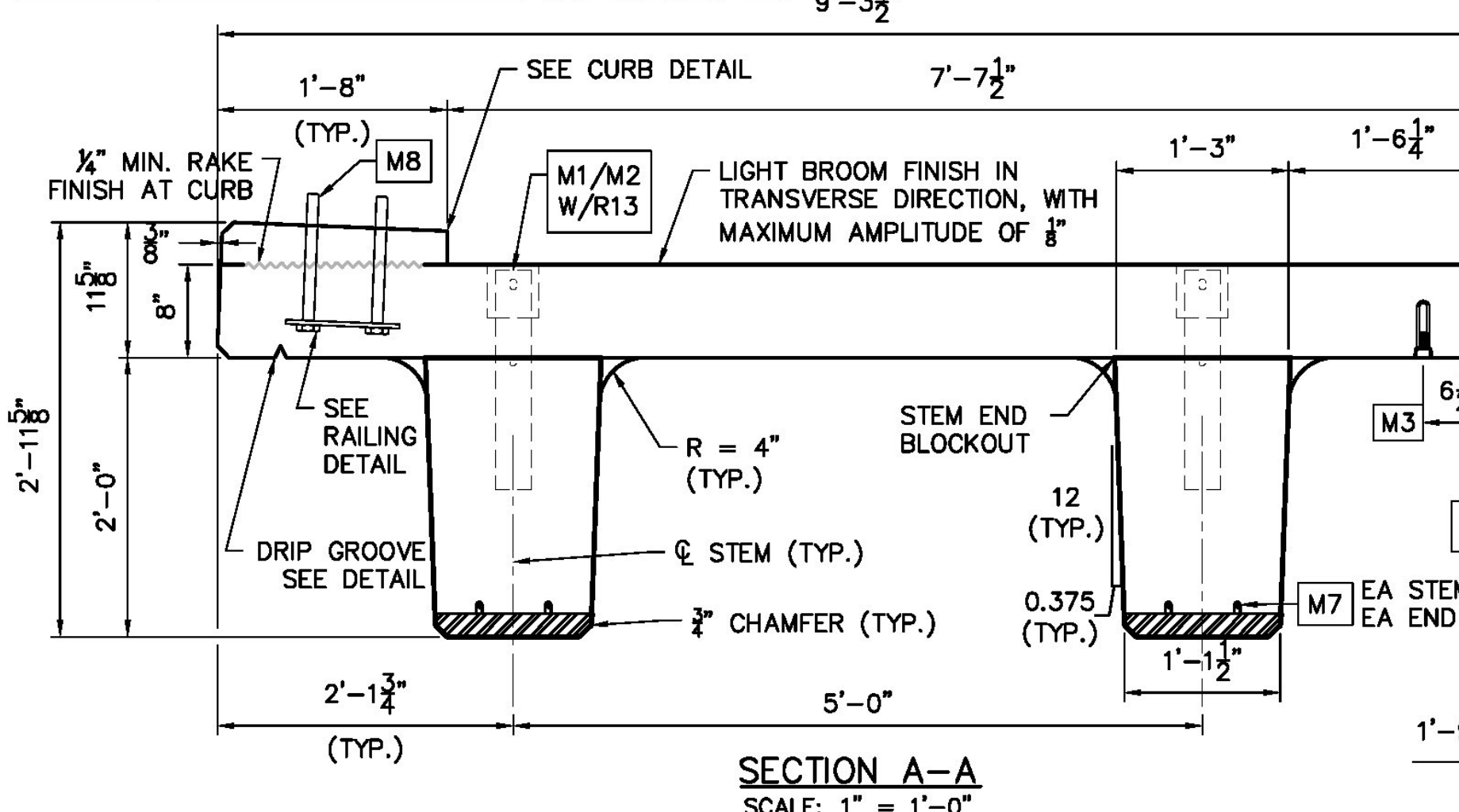
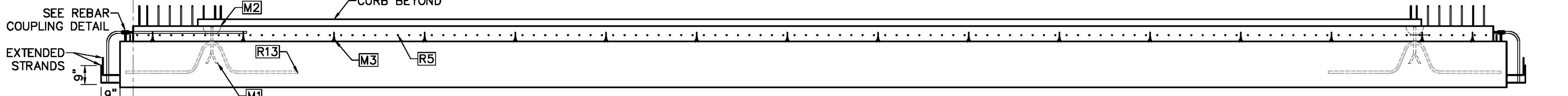
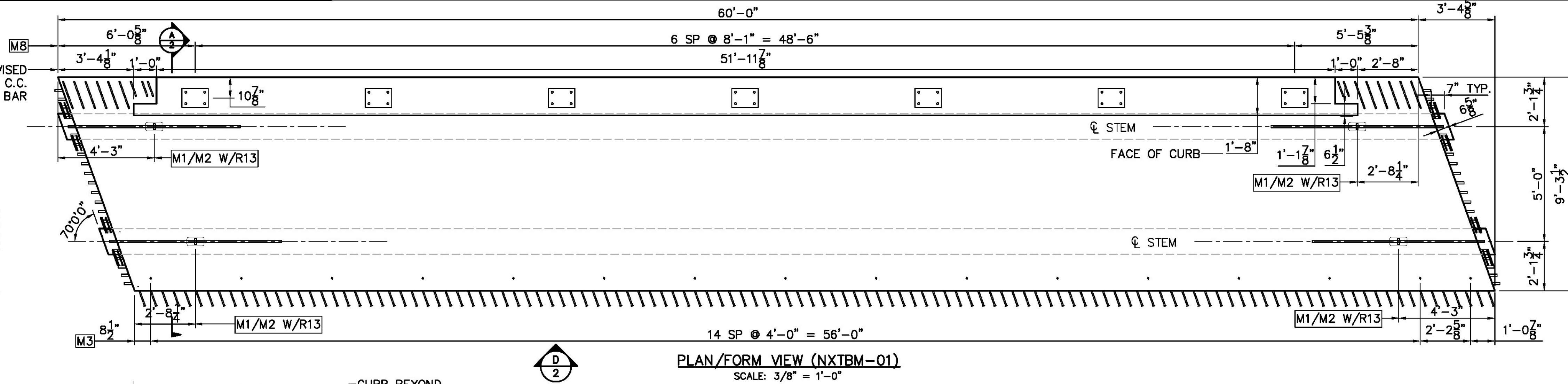
BEAMS SHALL BE HANDLED AND ERECTED USING LIFTERS ONLY. THE MINIMUM SLING ANGLE FOR SHOP PICKING SHALL BE 90° FROM THE HORIZONTAL. BEAMS SHALL BE STORED AND TRANSPORTED WITH TIMBER SUPPORTS LOCATED BELOW THE LIFTERS U.O.N.

WIPE CLEAN CURB REINF. PRIOR TO FINISHING BEAM TOP.

RAIL POST ANCHOR SHALL BE PROTECTED FROM CONCRETE ABOVE FINISHED CURB.

BEAM WEIGHT: 104,866 LBS

BILL OF MATERIALS			
MARK	NXTBM-01	QTY =	1
fc' = 8,000 PSI @ 28 DAYS fcl' = 6,000 PSI			
PART MARK	DESCRIPTION	QTY	TOTAL QTY
M1	MB RL-23 (79172) GALV.	4	4
M2	MB RL-45 (79166)	4	4
M3	DS F-64 FERRULE LOOP GALV.	16	16
M4	DS D-112 #9 A=5'-4" EPOXY	40	40
M7	P900 NXTBM END ASSEMBLY	4	4
M8	RAIL ASSEMBLY	7	7
	25.89 CY VT MIX ID # 53	1	1
	0.6" 7WS LR = 2348'-4"	1	1
INSTALL AFTER REMOVED FROM FORM			
M5	DS D-110 #9 (111520) EPOXY	40	40
M6	DS D-102 #9 EPOXY A=8" B=2'-3"	40	40



CONSTRUCTION SET DATE: 06/28/2013					STATE OF VERMONT AGENCY OF TRANSPORTATION
SHEET NAME: NXTBM-01 PLAN					PLYMOUTH, VERMONT
REVISION NO.	REVISION DATE	WILLIAM E. DAILEY PRECAST, LLC 295 AIRPORT ROAD SHAFTSBURY, VT 05262 TEL: 802.442.4418 FAX: 802.442.0738		55 LEROY ROAD, WILLISTON, VT 05495 TEL: (802) 497-3653 FAX: (802) 497-3656	PROJECT NO: ER BRS 0149(5)
				DATE: JUNE 2013 PROJECT # E1729	SHEET 2 OF 9
				DRAWN BY: LKW/CN CHECKED BY: CHS	