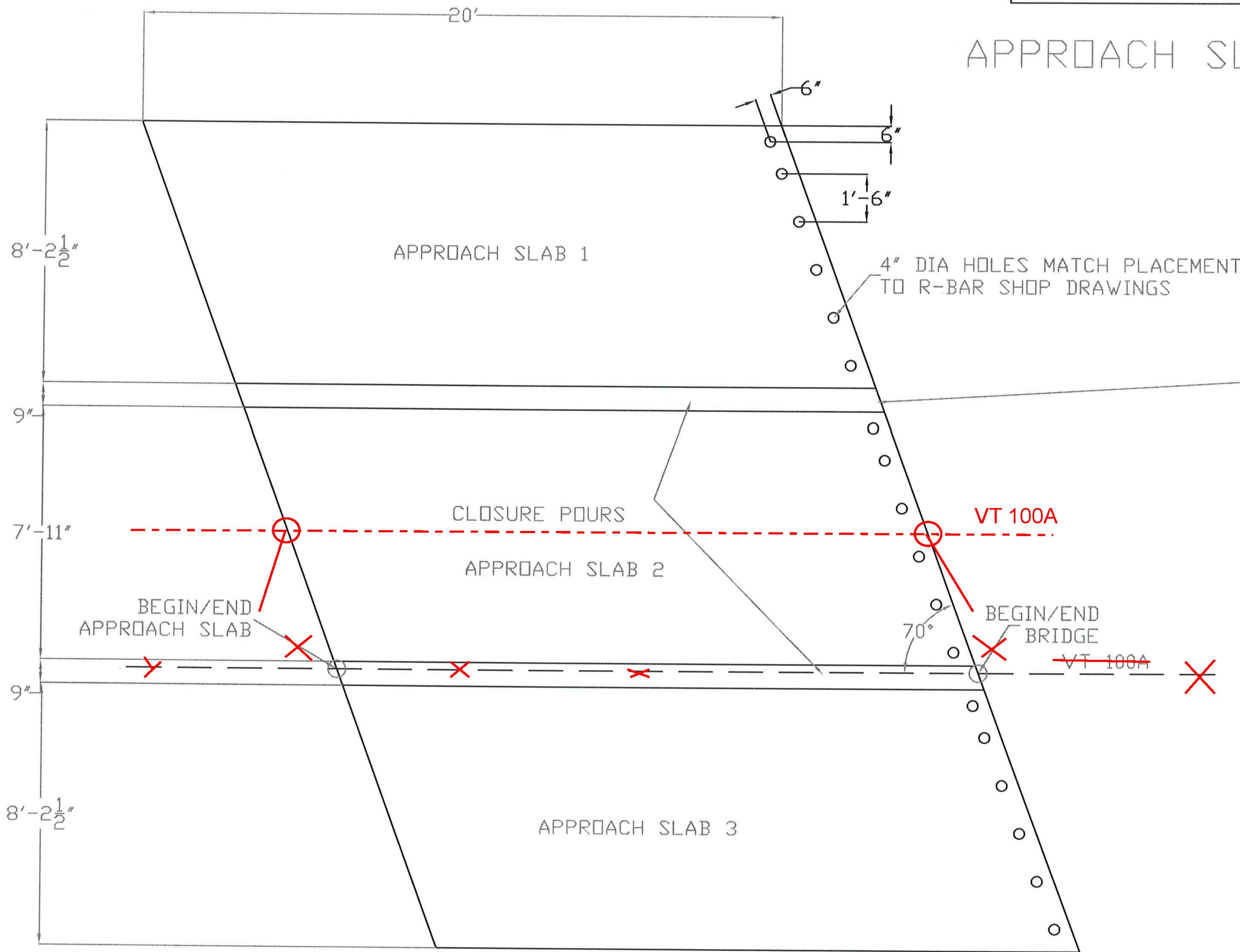
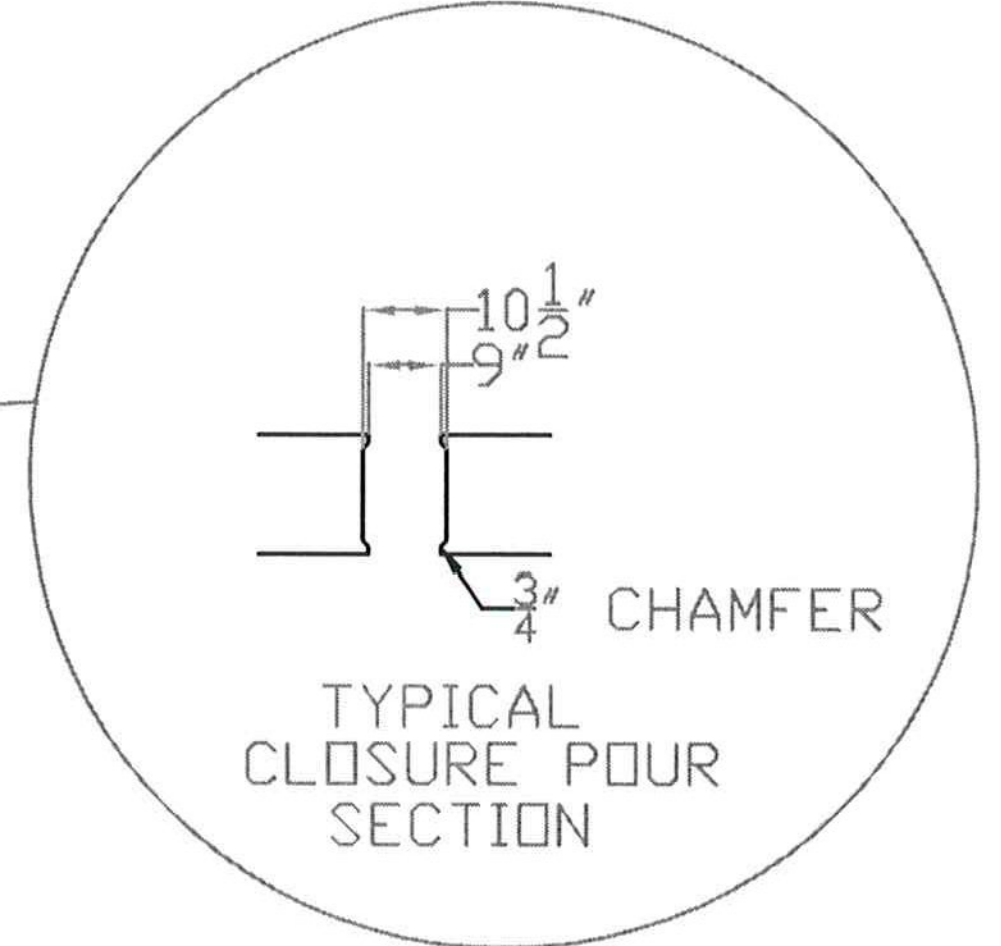


APPROACH SLAB ELEVATION VIEW



APPROACH SLAB PLAN VIEW



Vermont Agency of Transportation
RECEIVED
 ON: **May 9, 2013**
 and Checked for
CONFORMANCE
 BY: Rob Young DATE: 05/13/13

**APPROACH SLABS 4,5,6 ARE THE SAME

COLD RIVER BRIDGES, LLC	
10 LANBRO LANE WALPOLE, NH	
TEL 603-756-9300	FAX 603-756-9303
PLYMOUTH ER BRS 0149 (5)	
APPROACH SLAB PLAN	SHEET NUMBER
DATE: 4-16-13	5
scale: 1/4"=1'	REV 1 5-7-13