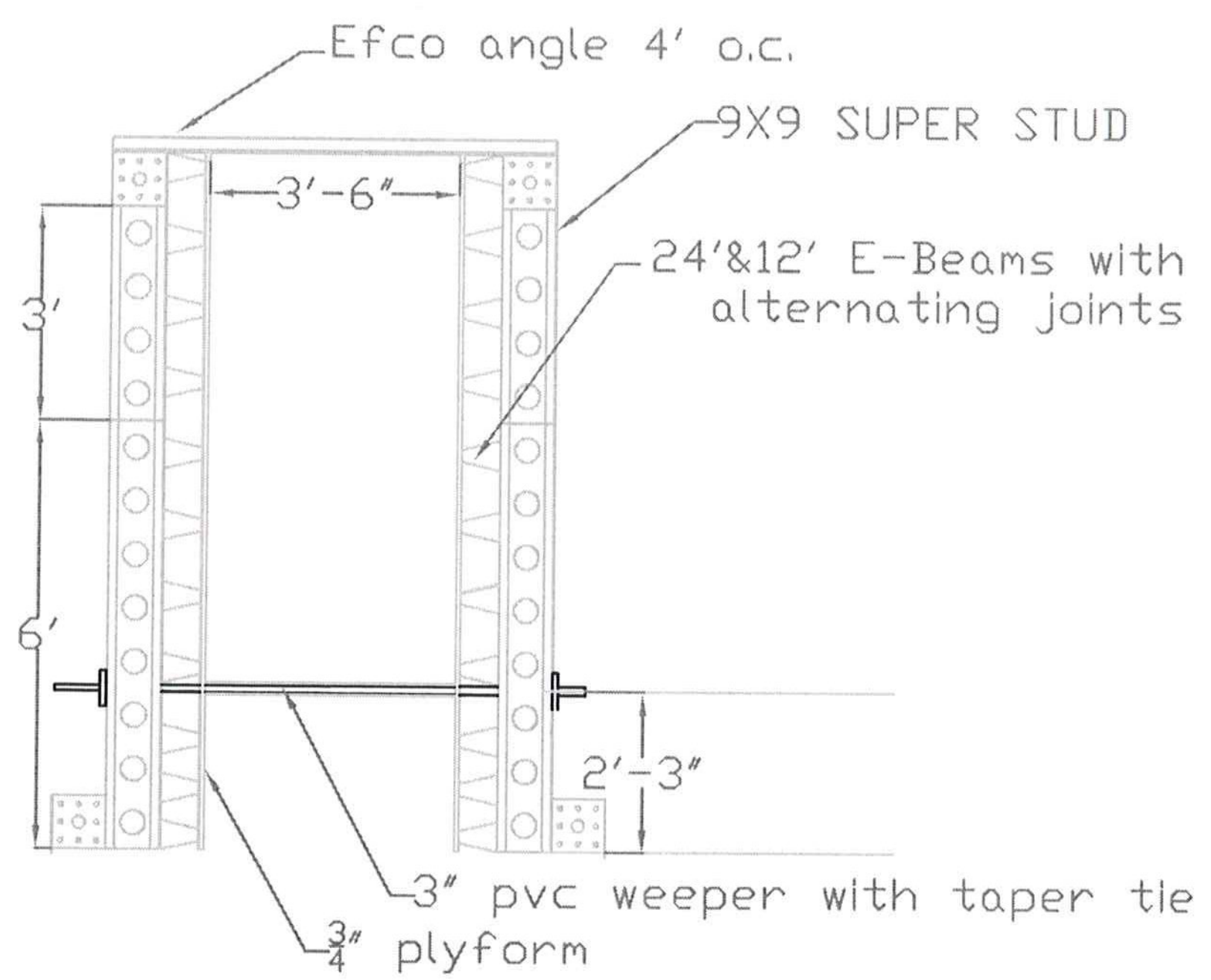


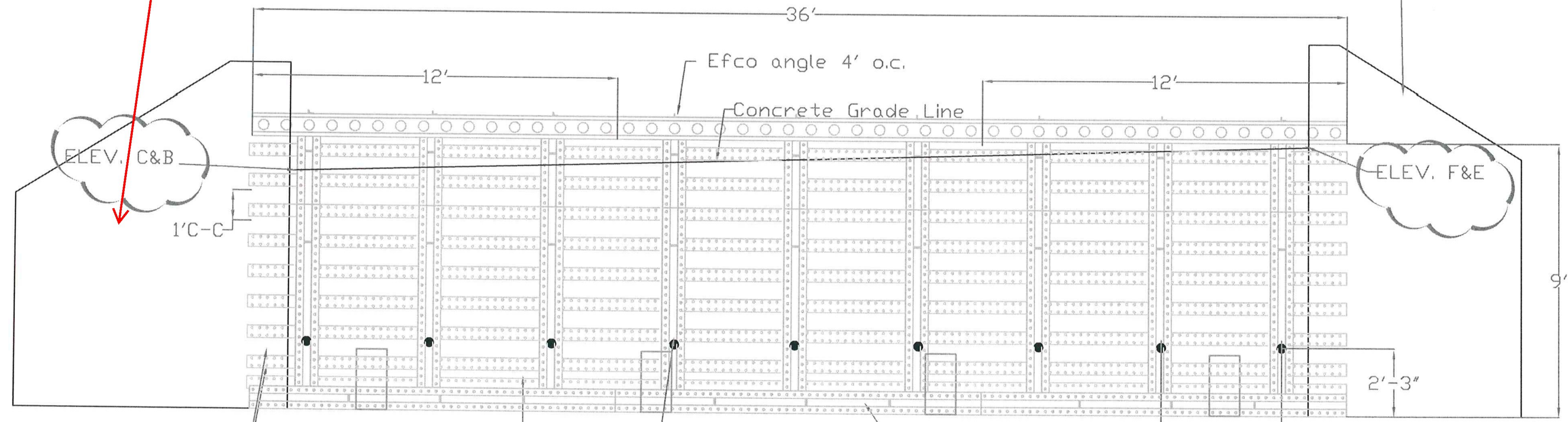
WING WALLS WILL BE SET ON A CRUSHED STONE BASE LOCATION AND ELEVATION PER CONTRACT PLANS. WW'S WILL BE SELF STANDING, CLOSURE POUR FORMS LAP ONTO WINGALLS AND ARE DRAWN TIGHT WITH TAPER TIES



ABUTMENT #1
 ELEVATION "C" ~~1046.92~~ 1046.12 (NF), 1046.24 (FF)
 ELEVATION "F" ~~1045.26~~ 1045.13 (NF), 1045.26 (FF)
 ABUTMENT #2
 ELEVATION "B" ~~1043.68~~ 1043.80 (NF), 1043.68 (FF)
 ELEVATION "E" ~~1044.67~~ 1044.79 (NF), 1044.67 (FF)

Need to laterally brace wings to prevent 'tipping' during abutment closure cure period

Pre-cast Wing walls
 See Forming sheet 1



Space E-Beams to clear tie and weeper pipe

24'x12' E-Beams with alternating joints

1.25" taper tie placed threw weeper pipes

9X9x12' SUPER STUD

4' O.C.

Draw foms tight against pre-ast wings

Vermont Agency of Transportation

RECEIVED

ON: **May 9, 2013**

and Checked for

CONFORMANCE

BY: Rob Young DATE: 05/13/13

CLOSURE POUR

COLD RIVER BRIDGES, LLC	
10 LANBRO LANE WALPOLE, NH	
TEL 603-756-9300	FAX 603-756-9303
PLYMOUTH BR 0149 (5)	
CLOSURE POUR FORM PLAN	SHEET NUMBER
DATE: 4-16-13	4
Scale: 1/4"=1'	REV 1 5-7-13