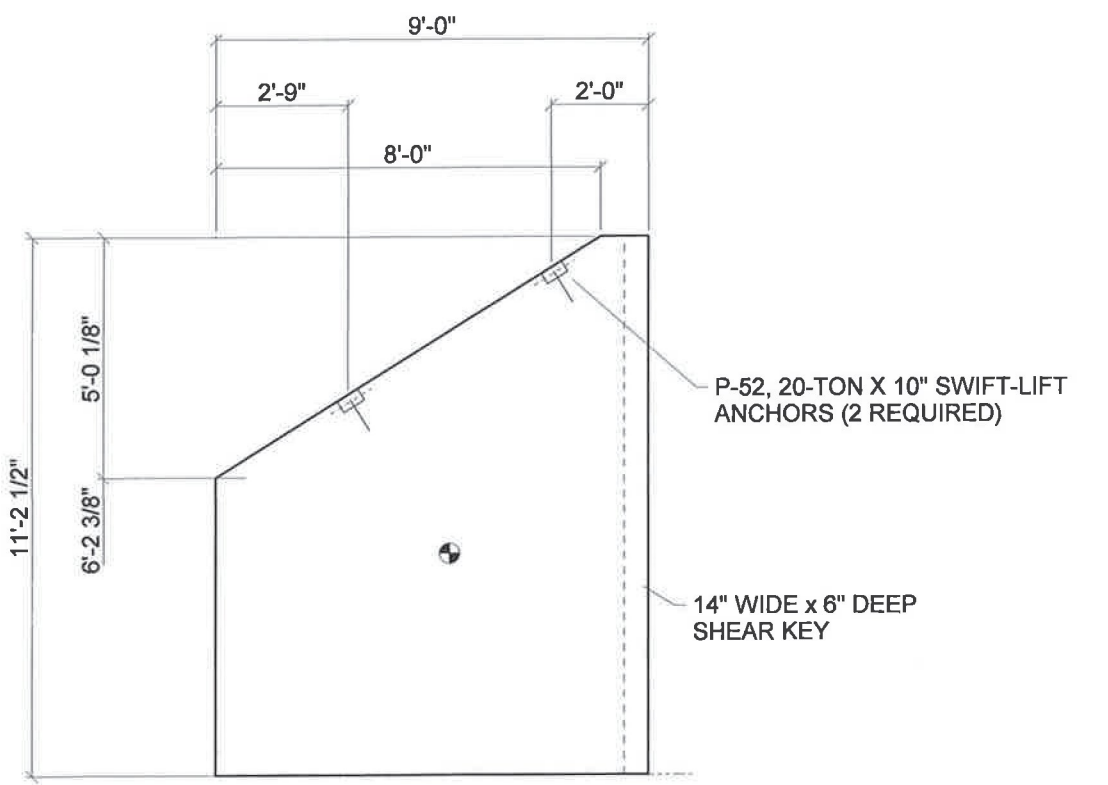


NON STR. THK.	STRUCT. THK.	WEIGHT	WIDTH	HEIGHT	NO. REQ'D.	PANEL NUMBER OR TYPE
	42"	41.5 kips	9'-0"	11'-2 1/2"	1	ABUTMENT 2 LEFT WINGWALL

REVISED 5/7/13



Construction Period Design Wind Speed: 72 mph		TOTAL BRACE LOAD =		B=	W=	F=	BRACE REQ'D.:
GROUND RELEASE II TILT-UP SYSTEM <small>This drawing is furnished solely for the purpose of clarifying the proper use, installation and application of products supplied by Dayton Superior. Dayton Superior does not assume any responsibility for the correctness of structural designs or dimensions furnished by others. These drawings are intended merely to supplement the architectural and structural drawings and are to be used only in conjunction with them. In no way are these drawings to be interpreted as shop drawings for panel fabrication.</small>		X	4'-10 3/8"	ΔX	.36 >	CY=	10.2
Y	4'-7 1/4"	2ΔX	.73	GROUND AREA	100.9	SCALE:	RIGGING DETAILS
PANEL VIEWED FROM: INSIDE		CREATED BY	BP	DATE	5/7/13	JOB NO.	13200
		DATE	5/7/13	NO. SHEET	80.8	SHEET	3 OF 18

NOTE: INSERT AND BRACING DESIGN SHOWN IS BASED ON THE USE OF DAYTON SUPERIOR PRODUCTS ONLY!