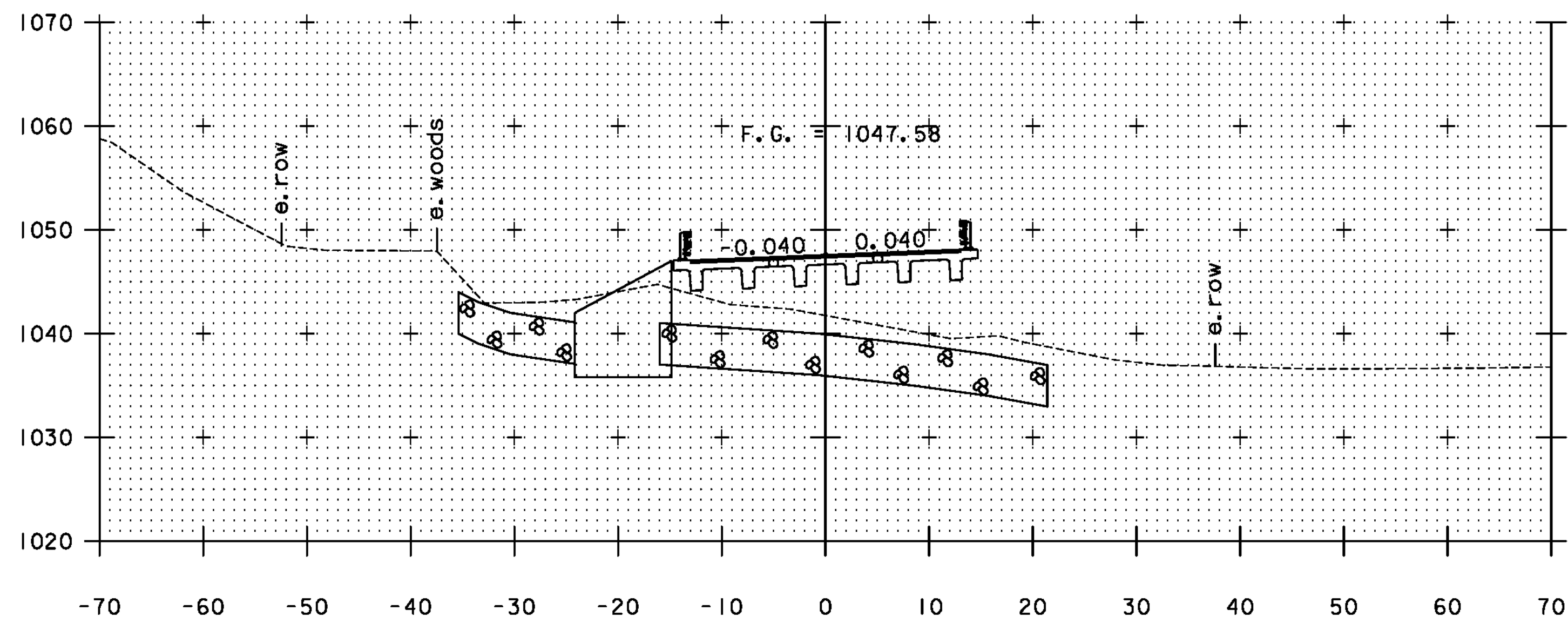
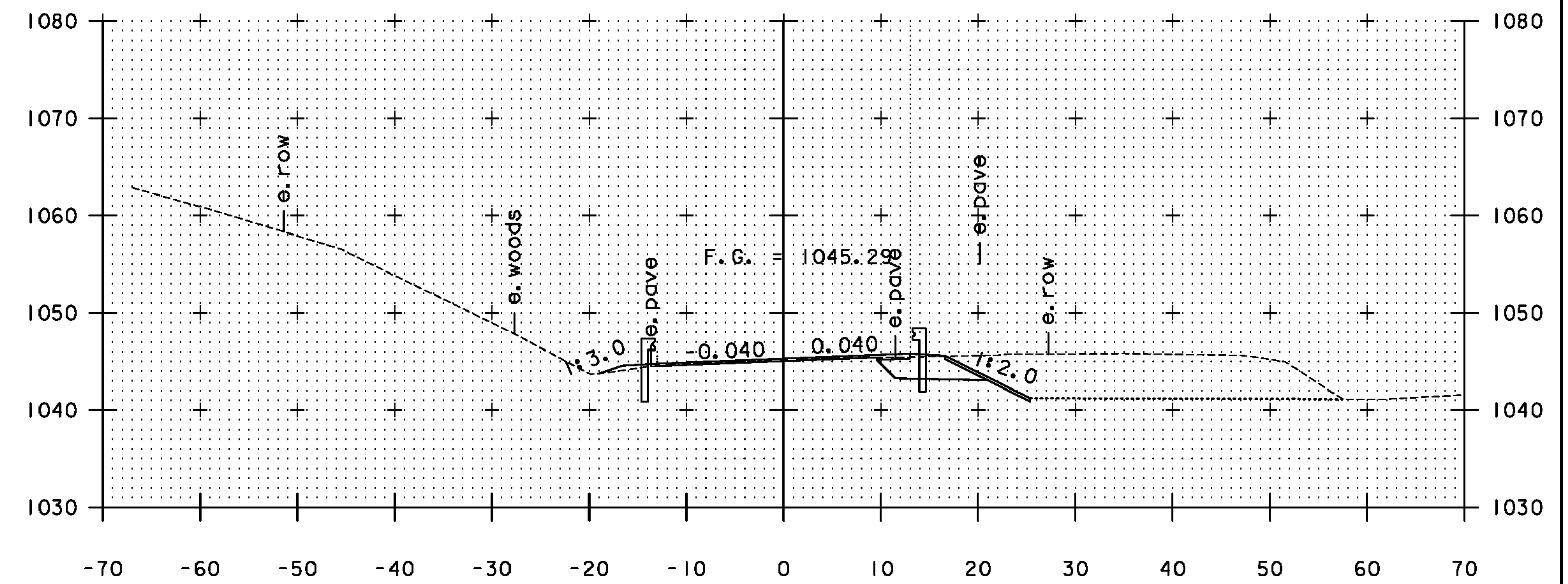


VT100A
 STA. 203+08.42
 END BRIDGE

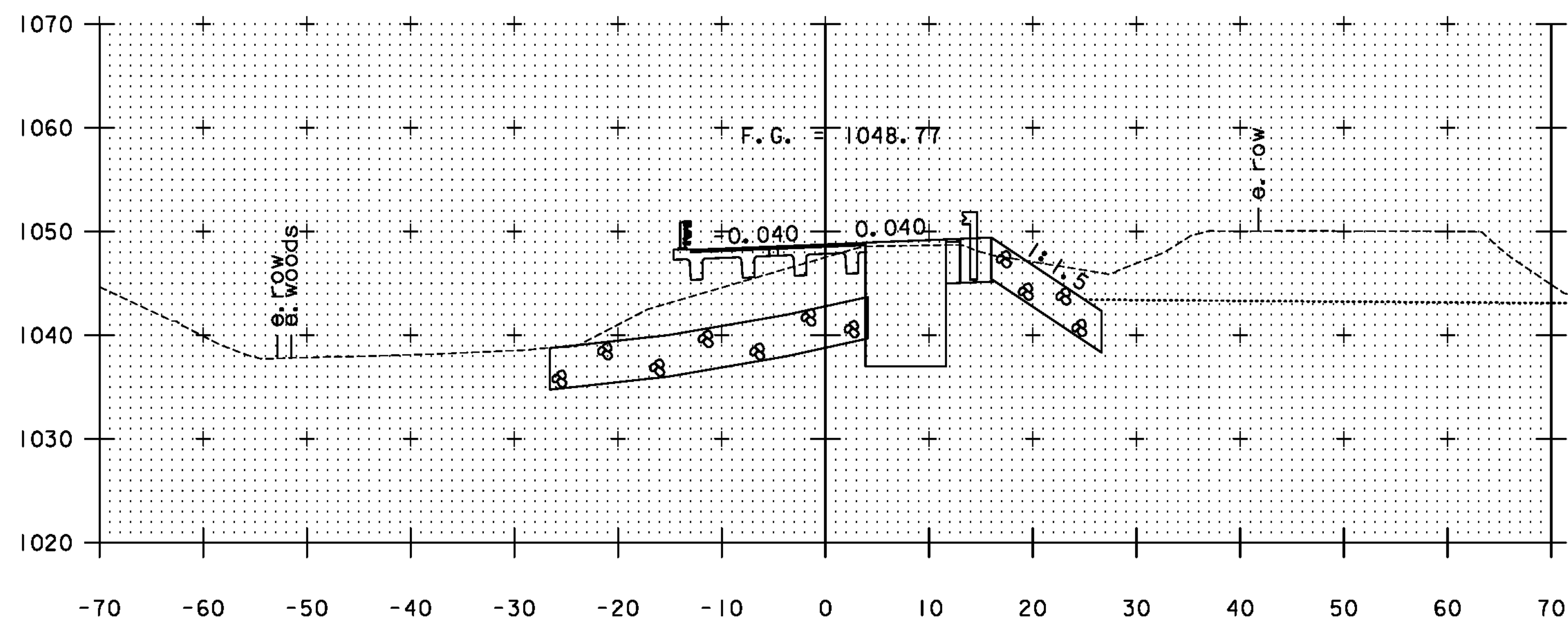


203+00



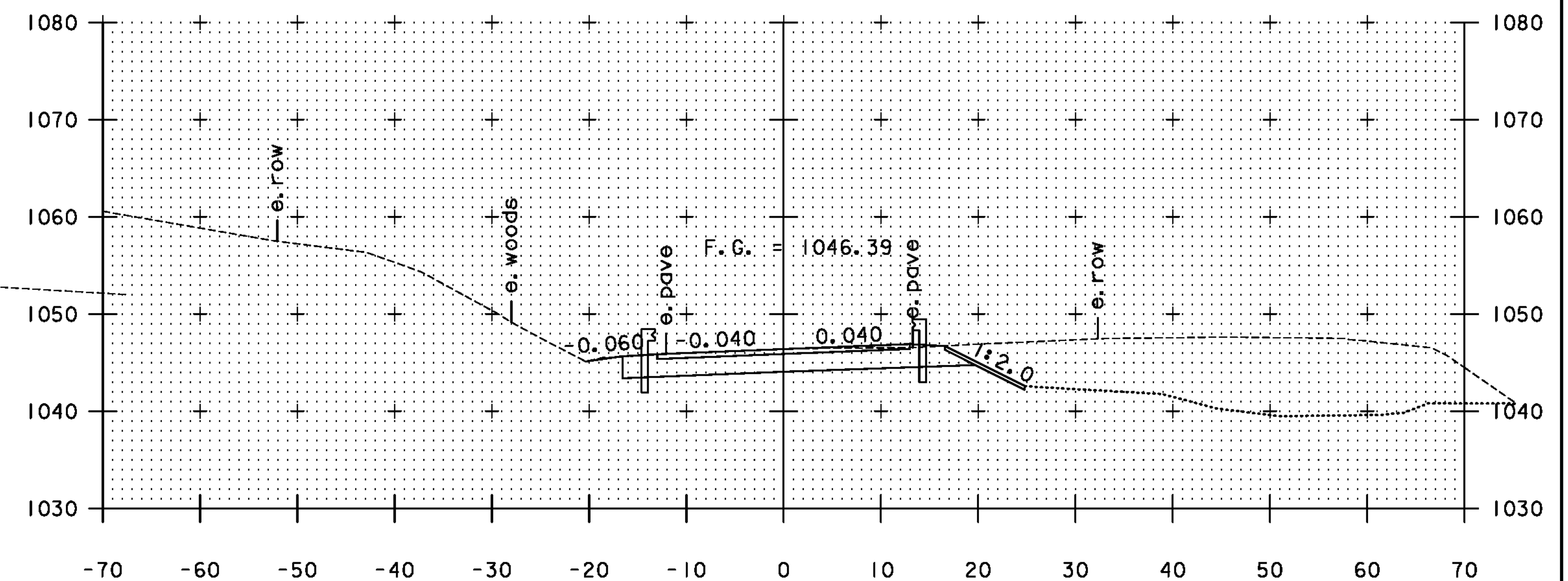
204+00

VT100A
 STA. 203+90.00
 END PROJECT
 BEGIN APPROACH



202+50

VT100A
 STA. 202+45.58
 BEGIN BRIDGE



203+50

PROPOSED GROUND ELEVATIONS SHOWN WITH A SHORT DASH (-----) APPROXIMATE THE GROUND SURFACE PRIOR TO THE CONSTRUCTION OF THE TEMPORARY DETOUR. FINAL GRADING WITHIN THESE AREAS SHALL BE DETERMINED BY THE RESIDENT ENGINEER.

SCALE 1" = 10'-0"
 10 0 10

STA. 202+50 TO STA. 204+00

TYLINTERNATIONAL

PROJECT NAME: PLYMOUTH
 PROJECT NUMBER: ER BRS 0149(5)

FILE NAME: zilc330xs.dgn
 PROJECT LEADER: J. OLUND
 DESIGNED BY: A. GREENLAW
 VT100A CROSS SECTION 2

PLOT DATE: 9/20/2012
 DRAWN BY: A. GREENLAW
 CHECKED BY: J. HOWE
 SHEET 43 OF 46