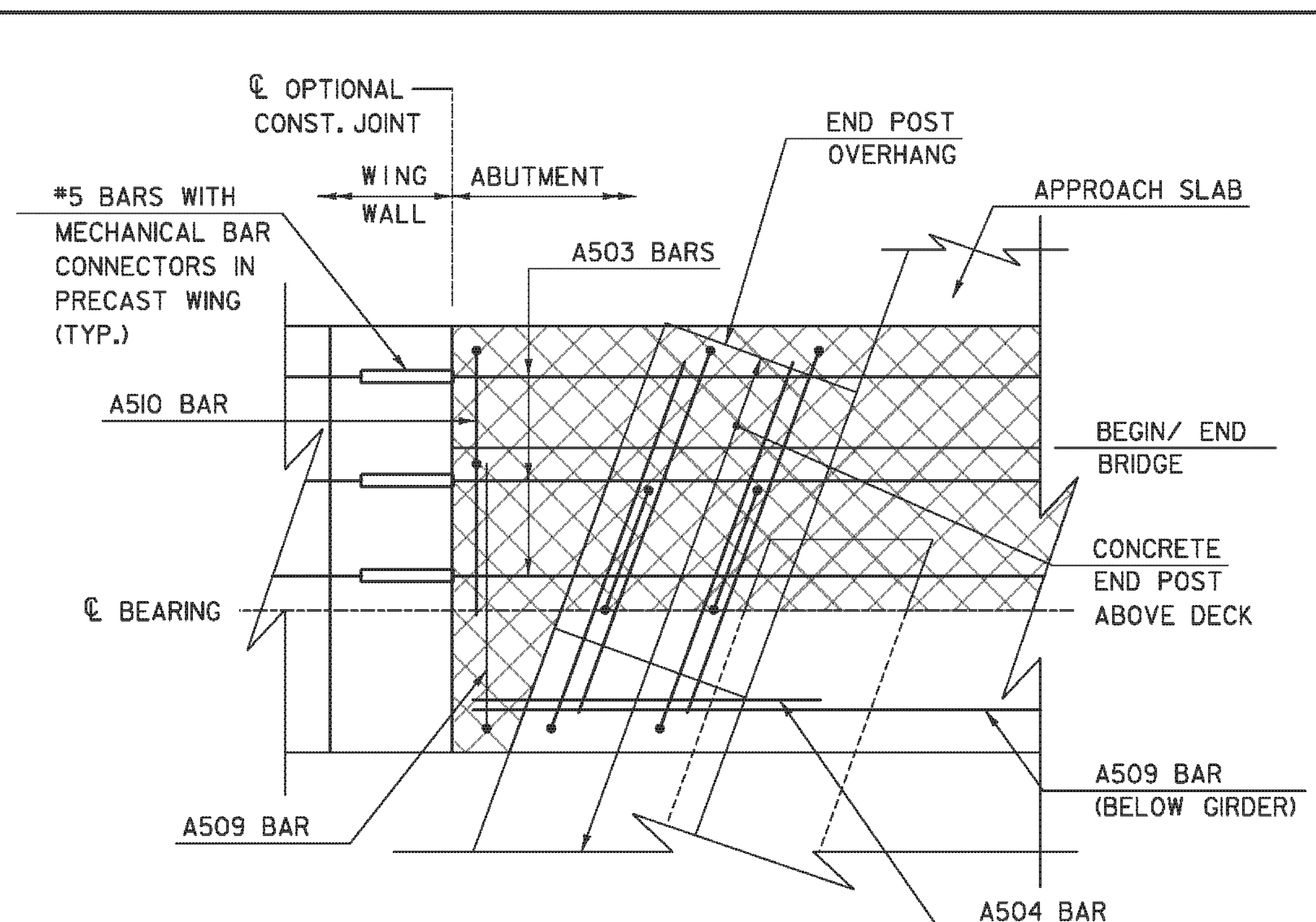
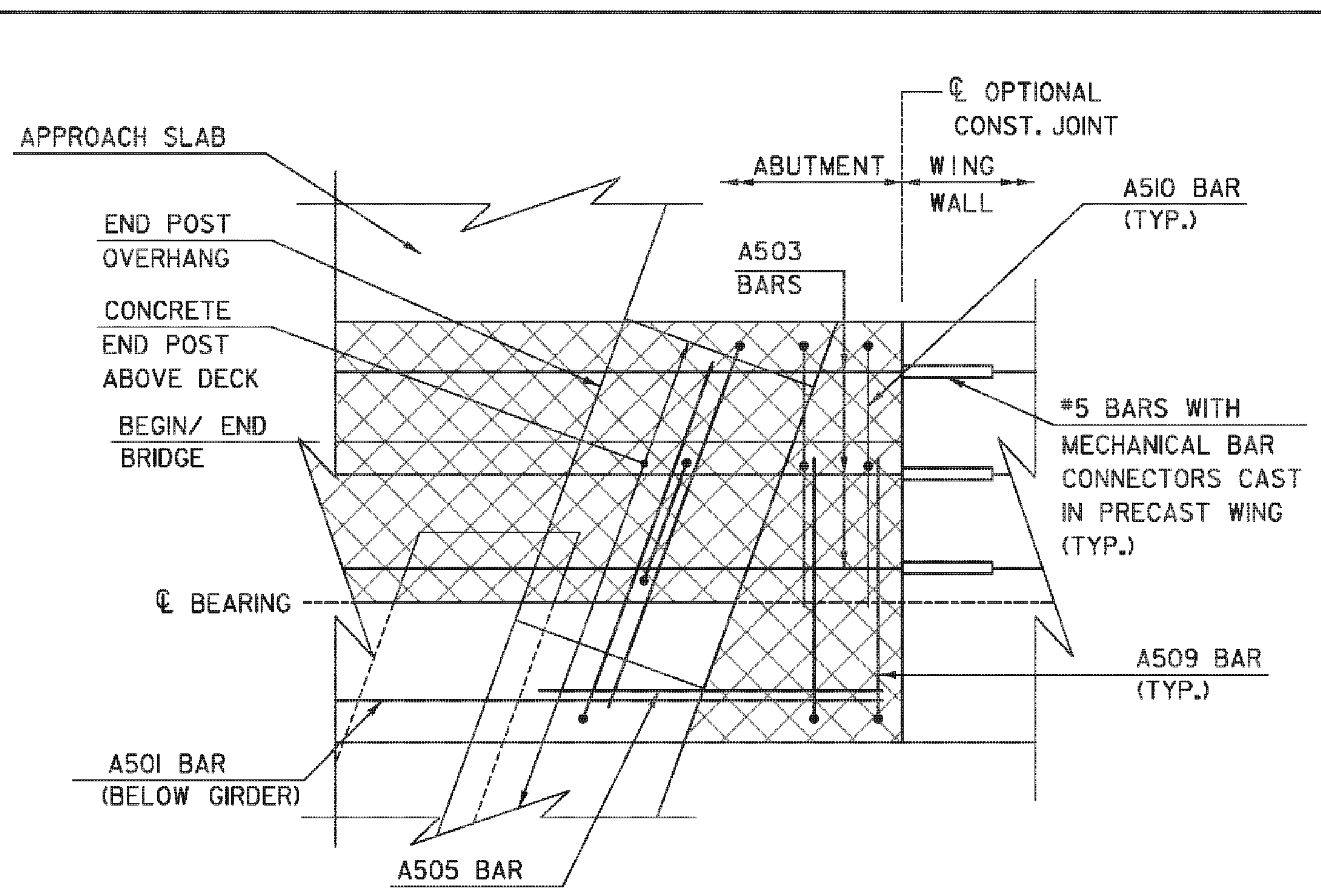


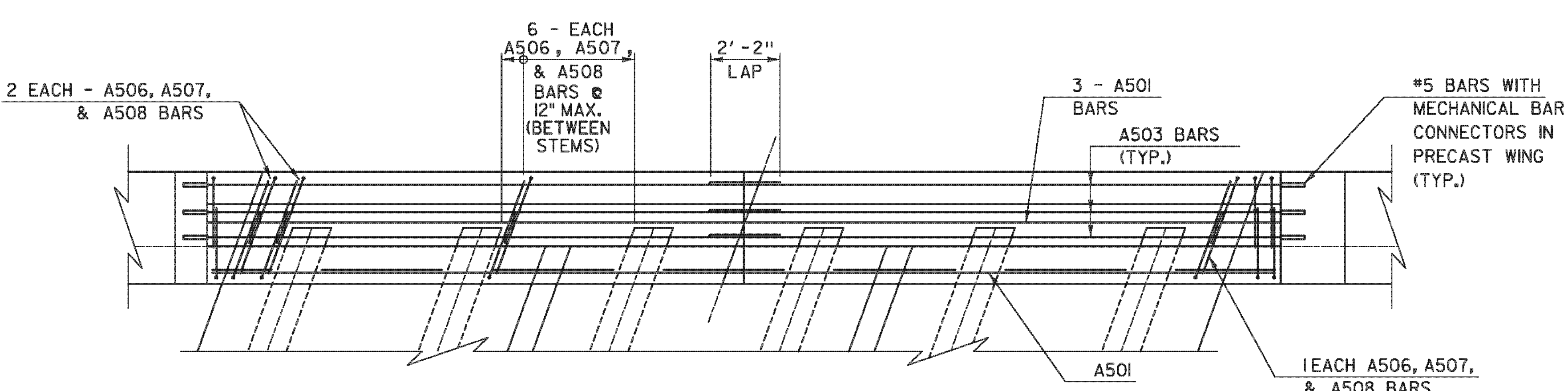
SECTION A-A
SCALE: 1" = 1'-0"



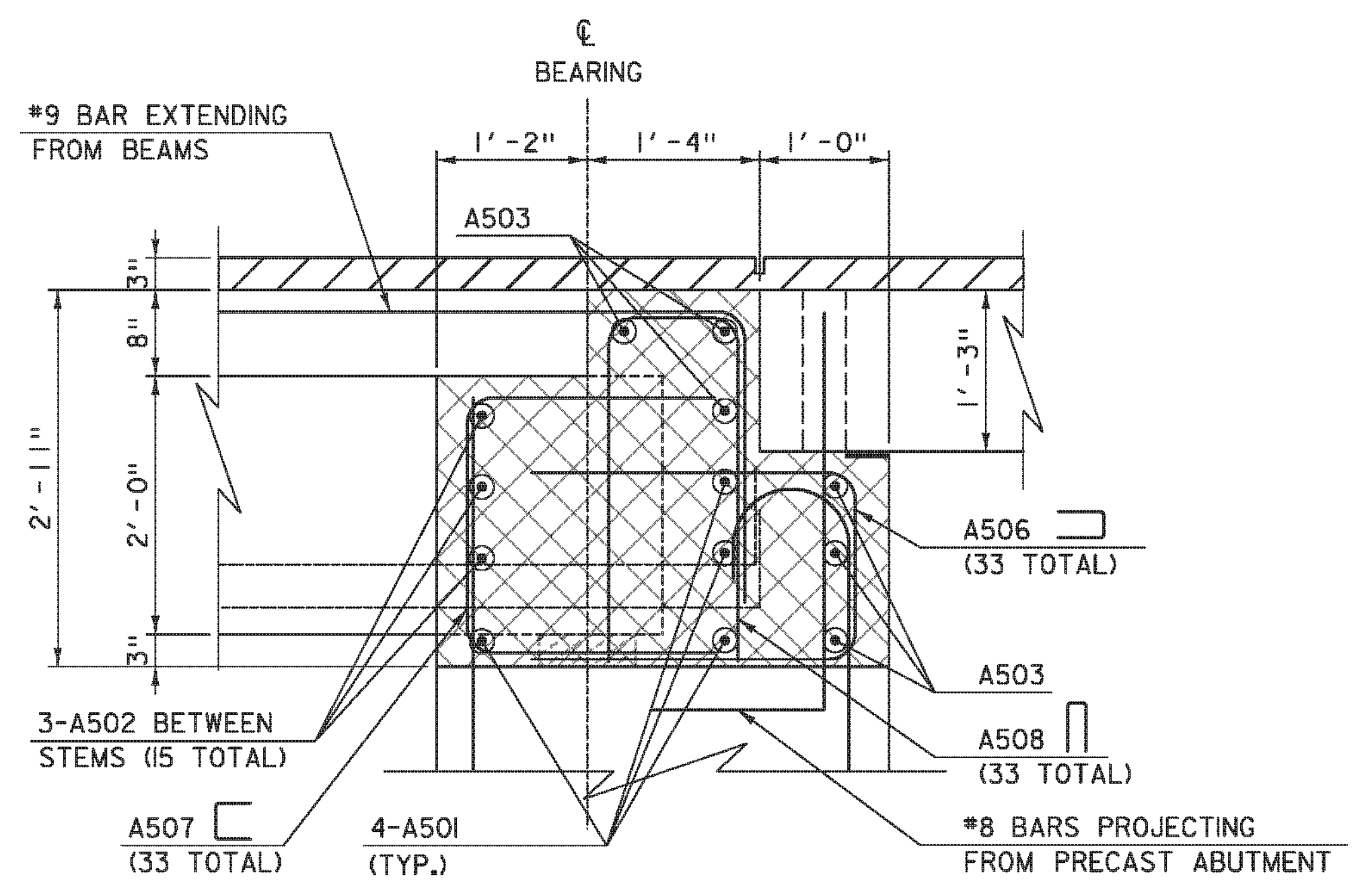
VIEW B-B
SCALE: 1" = 1'-0"



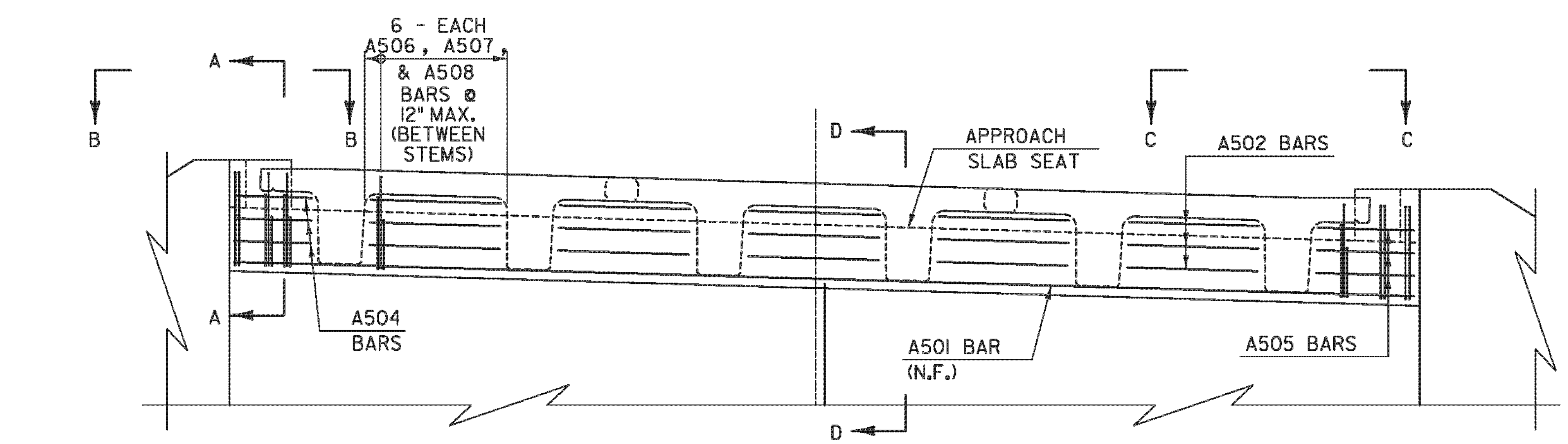
VIEW C-C
SCALE: 1" = 1'-0"



CLOSURE POUR - PLAN
SCALE: 3/8" = 1'-0"



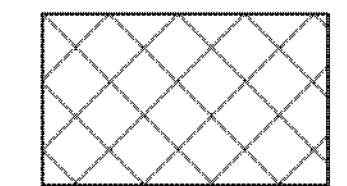
SECTION D-D: CLOSURE POUR
SCALE: 1" = 1'-0"



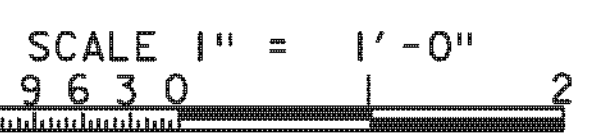
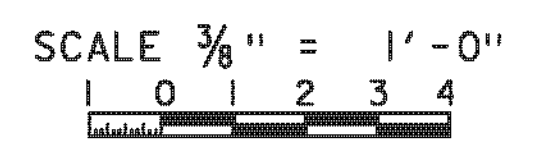
CLOSURE POUR - ELEVATION
SCALE: 3/8" = 1'-0"
(A501 & A503 BARS NOT SHOWN FOR CLARITY)

NOTES:

1. ABUTMENT NO. 1 SHOWN, ABUTMENT NO. 2 IS SIMILAR.
2. TOP OF CLOSURE POUR SHALL BE STRUCK FLUSH WITH NEXT D BEAM FLANGES WITHIN THE HORIZONTAL LIMITS OF THE NEXT D BEAM FLANGES. TOP OF CLOSURE POUR OUTSIDE OF NEXT D BEAM FLANGE LIMITS SHALL BE STRUCK LEVEL WITH TOP OF WINGWALLS.



SPECIAL PROVISION (HIGH PERFORMANCE CONCRETE, RAPID SET)



TYL INTERNATIONAL

PROJECT NAME: PLYMOUTH
PROJECT NUMBER: ER BRS 0149(5)

FILE NAME: zllc330dt1004.dgn
PROJECT LEADER: J. OLUND
DESIGNED BY: D. MYERS
ABUTMENT CLOSURE POUR DETAILS

PLOT DATE: 9/20/2012
DRAWN BY: T. KELLEY
CHECKED BY: J. OLUND
SHEET 26 OF 46