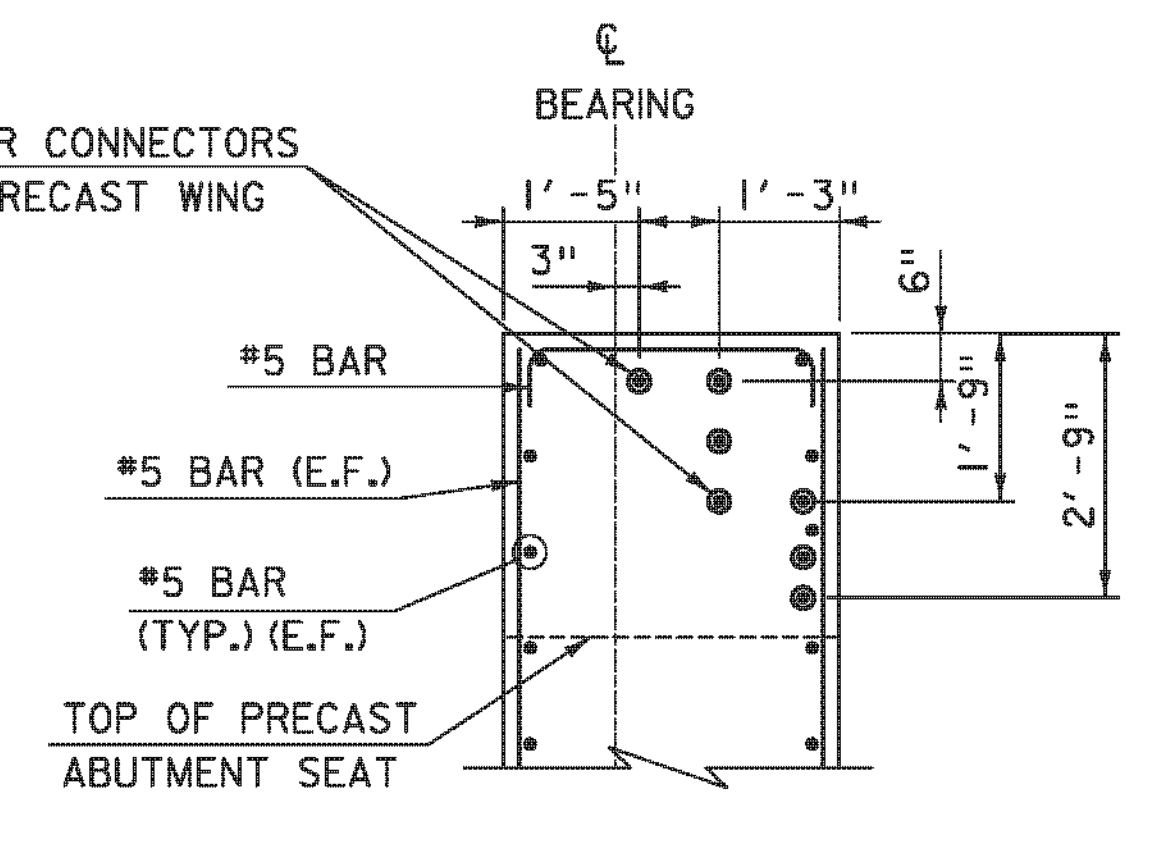
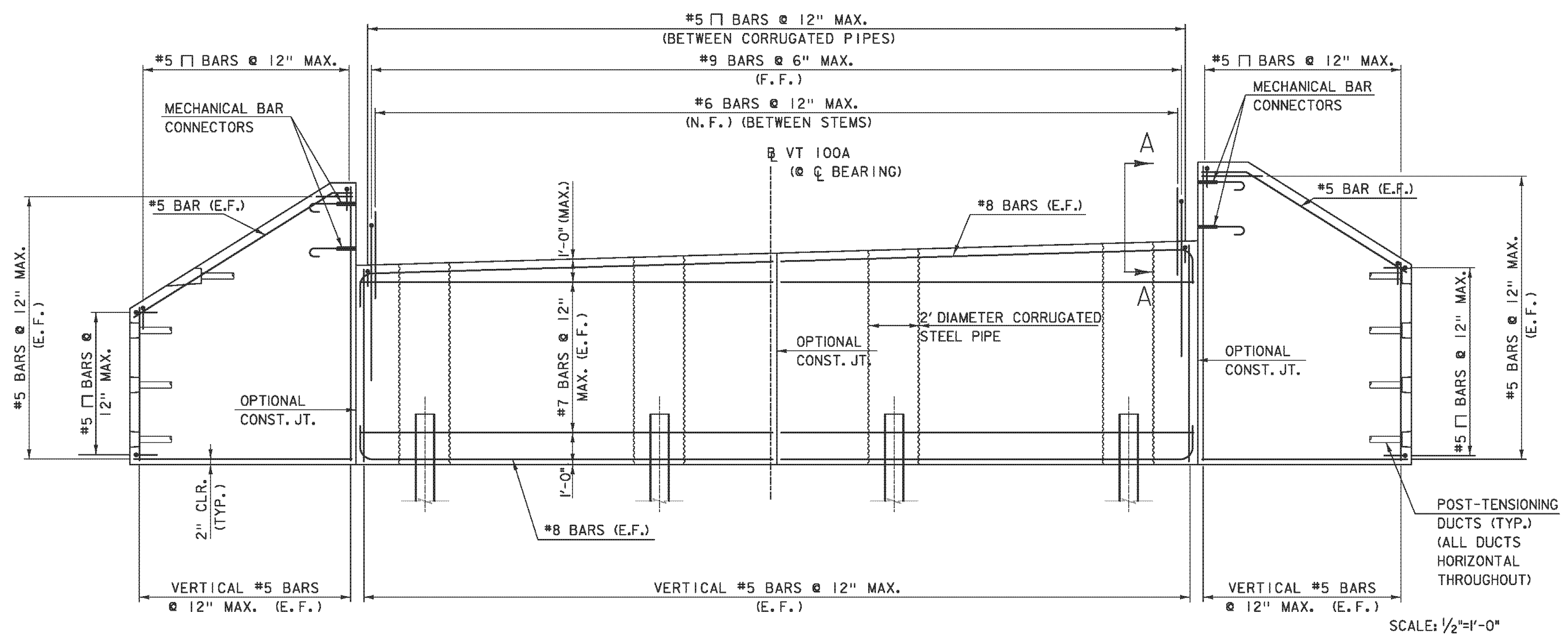


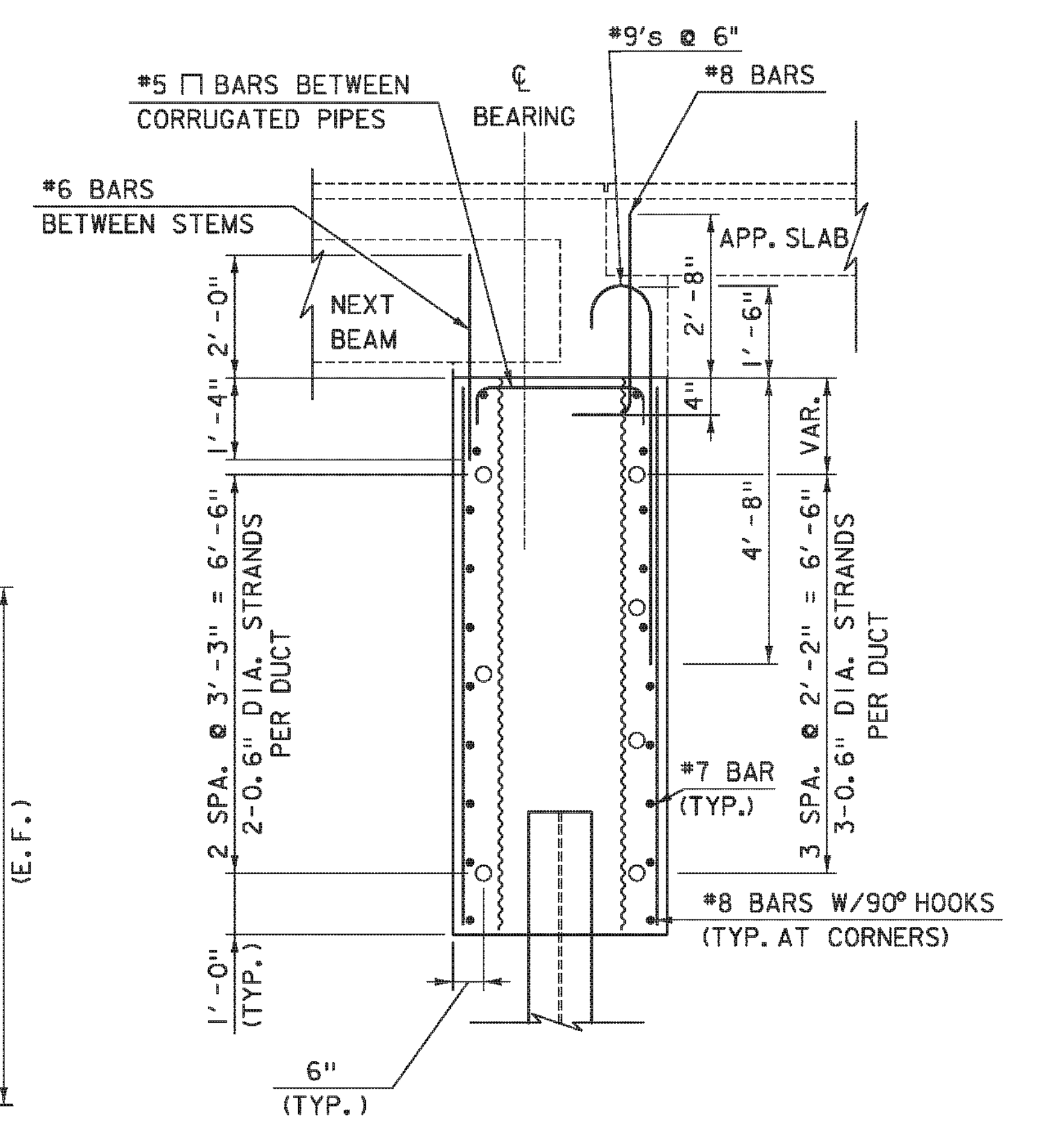
**TYPICAL ABUTMENT REINFORCEMENT PLAN**  
 POST TENSIONING DUCTS NOT SHOWN FOR CLARITY  
 SCALE: 3/8"=1'-0"



**VIEW A-A  
 TOP OF WING**  
 SCALE: 1/2"=1'-0"



**TYPICAL ABUTMENT REINFORCEMENT ELEVATION**  
 SCALE: 3/8"=1'-0"



**TYPICAL ABUTMENT  
 REINFORCEMENT SECTION**  
 SCALE: 1/2"=1'-0"

SCALE 3/8" = 1'-0"  
 0 1 2 3 4  
 SCALE 1/2" = 1'-0"  
 0 1 2

**TYL**INTERNATIONAL

PROJECT NAME:	PLYMOUTH	FILE NAME:	zllc330dt1003.dgn	PLOT DATE:	9/20/2012
PROJECT NUMBER:	ER BRS 0149(5)	PROJECT LEADER:	J. OLUND	DRAWN BY:	T. KELLEY
		DESIGNED BY:	D. MYERS	CHECKED BY:	J. OLUND
		ABUTMENT REINFORCEMENT			SHEET 25 OF 46