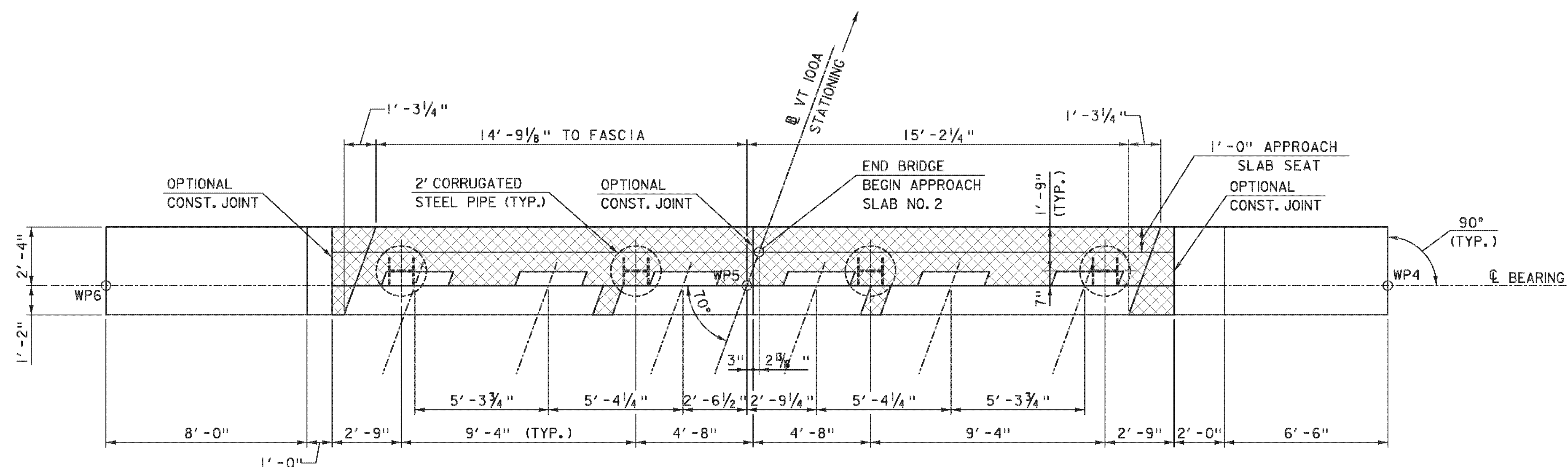


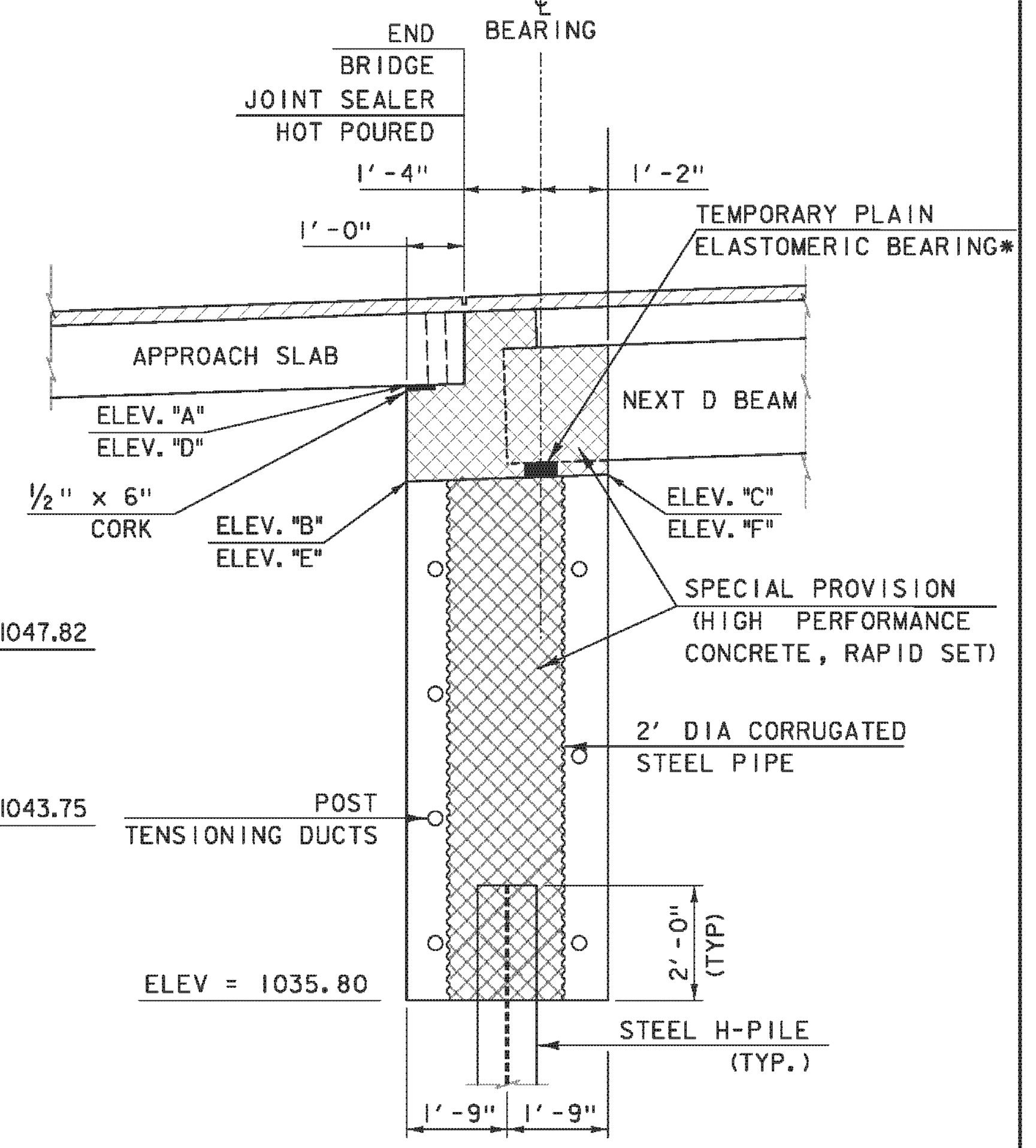
ABUTMENT 2 - ELEVATIONS

ELEV "A"	1045.34
ELEV "B"	1043.68
ELEV "C"	1043.80
ELEV "D"	1046.33
ELEV "E"	1044.67
ELEV "F"	1044.79

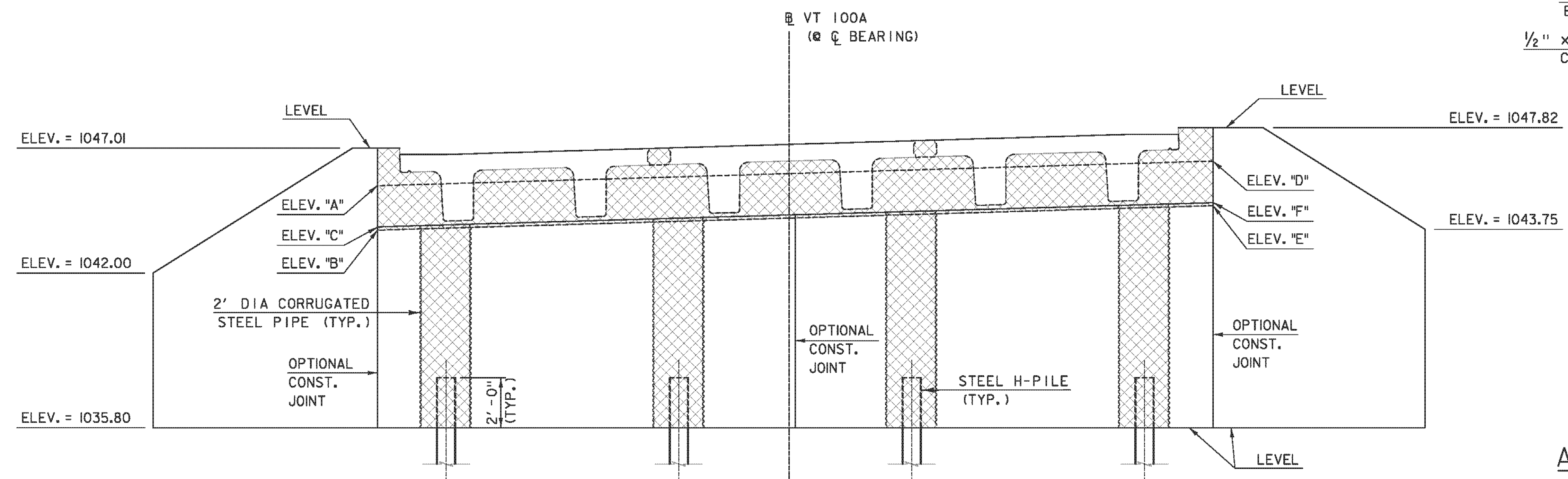
*TEMPORARY BEARING SHALL BE 9"x9"x3" THICK AND BE CENTERED AT THE INTERSECTION OF CL BEARING AND STEM CENTER. ORIENT BARRIERS ALONG STEMS.



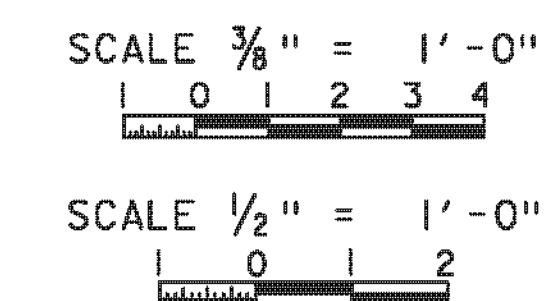
ABUTMENT 2 - PLAN
SCALE: 3/8" = 1'-0"



ABUTMENT 2 - TYPICAL SECTION
SCALE: 1/2" = 1'-0"



ABUTMENT 2 - ELEVATION
SCALE: 3/8" = 1'-0"



TYL INTERNATIONAL

PROJECT NAME: PLYMOUTH	PLOT DATE: 9/20/2012
PROJECT NUMBER: ER BRS 0149(5)	DRAWN BY: T. KELLEY
FILE NAME: zilc330sub_02.dgn	CHECKED BY: D. MYERS
PROJECT LEADER: J. OLUND	DESIGNED BY: D. MYERS
ABUTMENT 2 PLAN, ELEVATION & SECTION SHEET 24 OF 46	