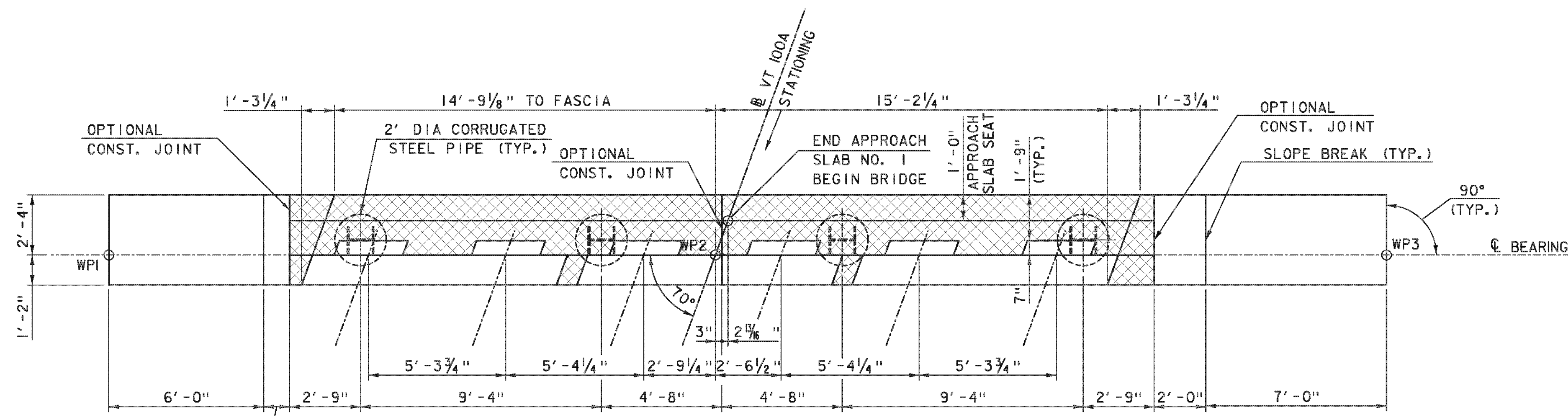


ABUTMENT I - ELEVATIONS

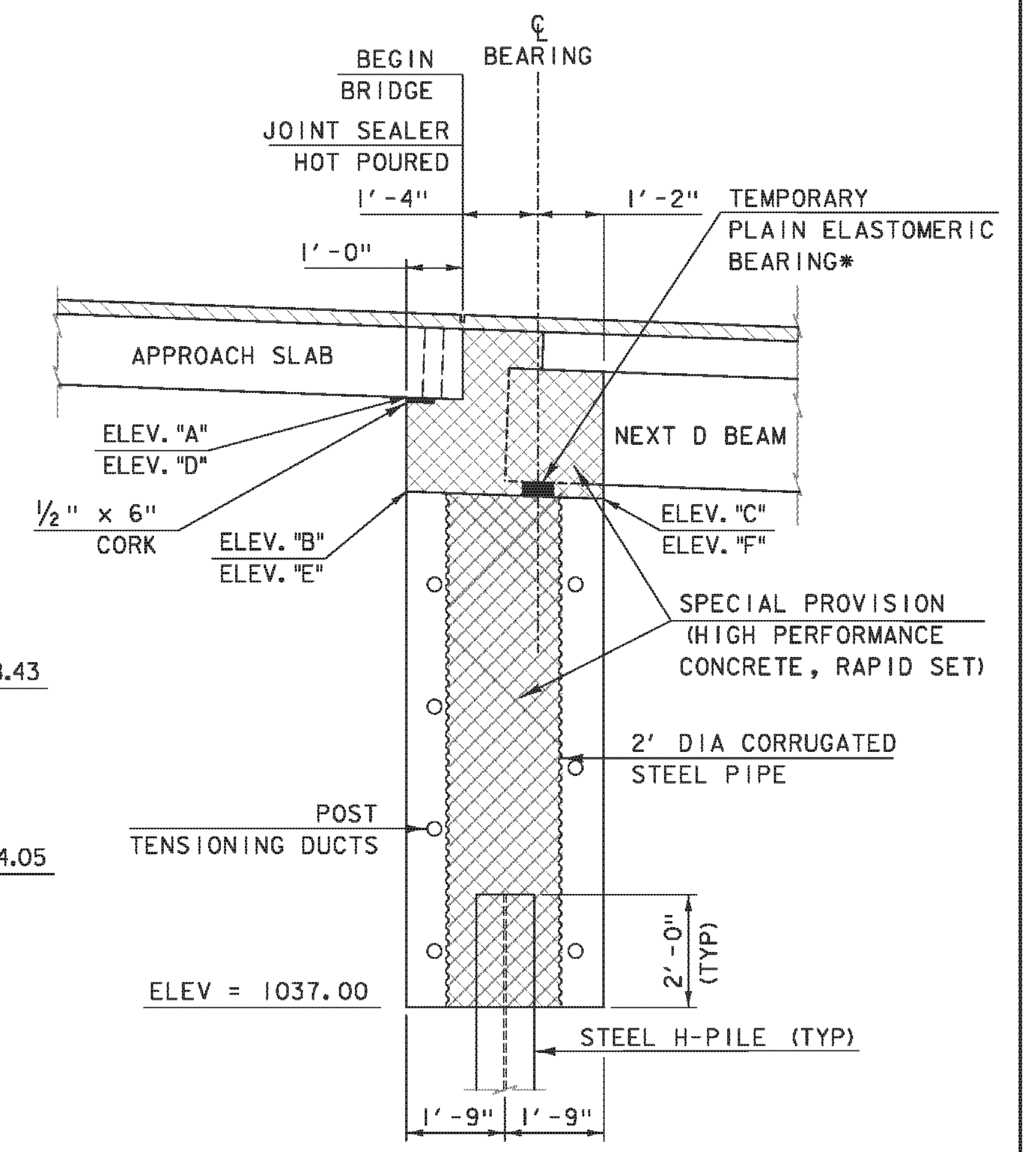
ELEV "A"	1047.91
ELEV "B"	1046.24
ELEV "C"	1046.12
ELEV "D"	1046.92
ELEV "E"	1045.26
ELEV "F"	1045.13

*TEMPORARY BEARING SHALL BE 9"X9"X3" THICK AND BE CENTERED AT THE INTERSECTION OF \bar{C} BEARING AND STEM CENTER. ORIENT BEARINGS ALONG STEMS.



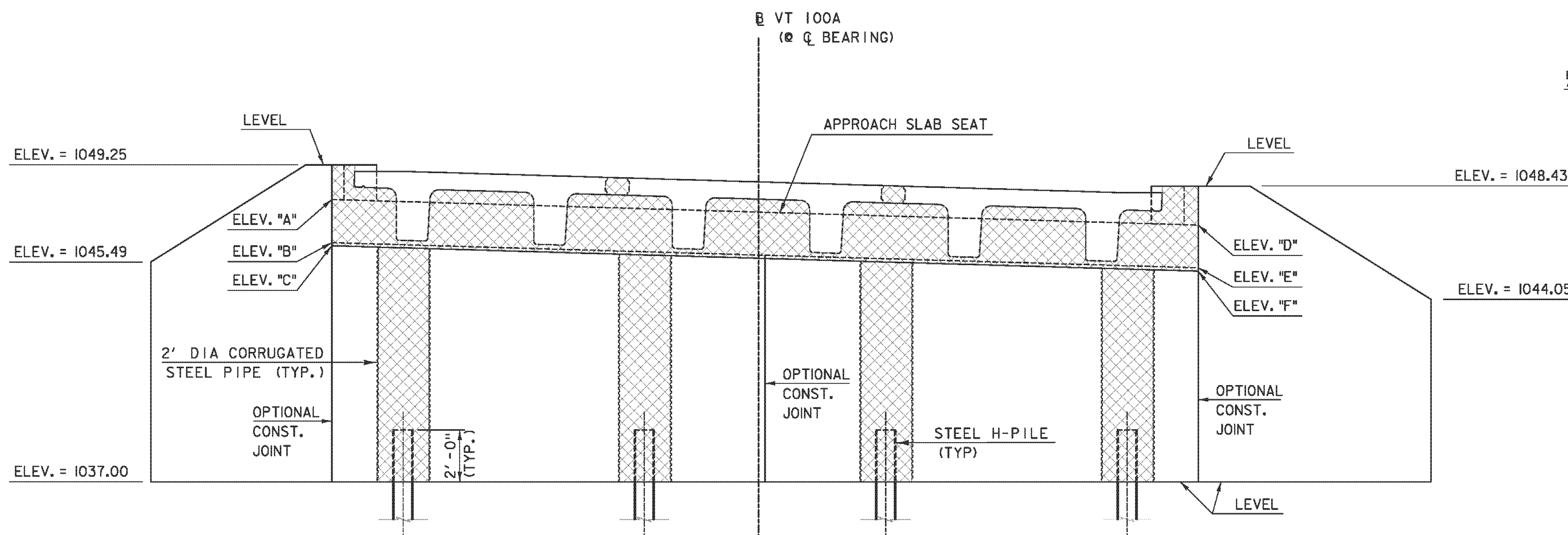
ABUTMENT I - PLAN

SCALE: 3/8" = 1'-0



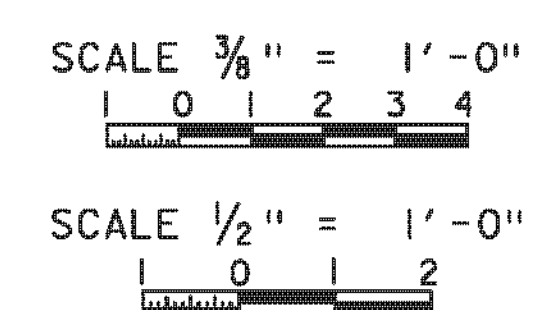
ABUTMENT I - TYPICAL SECTION

SCALE: 1/2" = 1'-0



ABUTMENT I - ELEVATION

SCALE: 3/8" = 1'-0



TYLIN INTERNATIONAL	PROJECT NAME: PLYMOUTH	PLOT DATE: 9/20/2012
	PROJECT NUMBER: ER BRS 0149(5)	DRAWN BY: T. KELLEY
	FILE NAME: zllc330sub_01.dgn	CHECKED BY: D. MYERS
	PROJECT LEADER: J. OLUND	SHEET 23 OF 46
	DESIGNED BY: D. MYERS	