

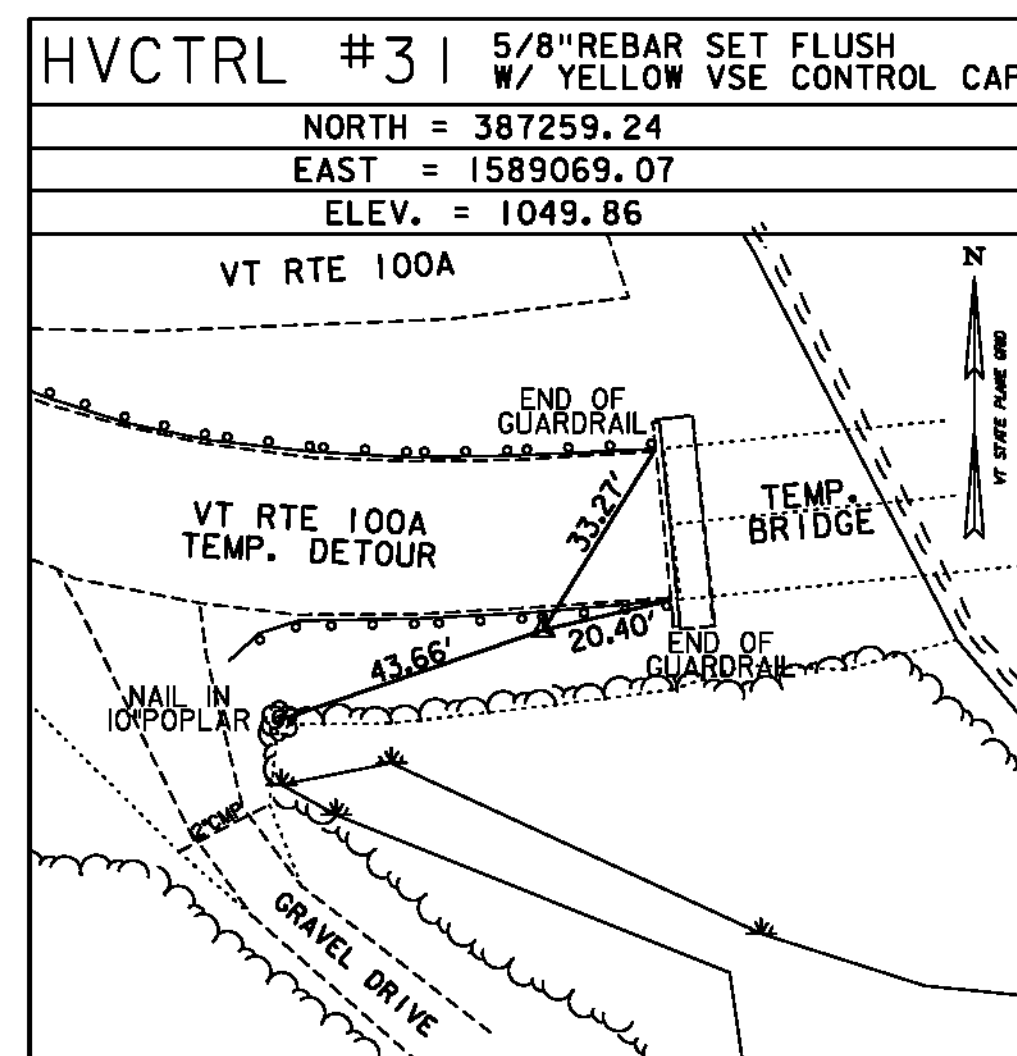
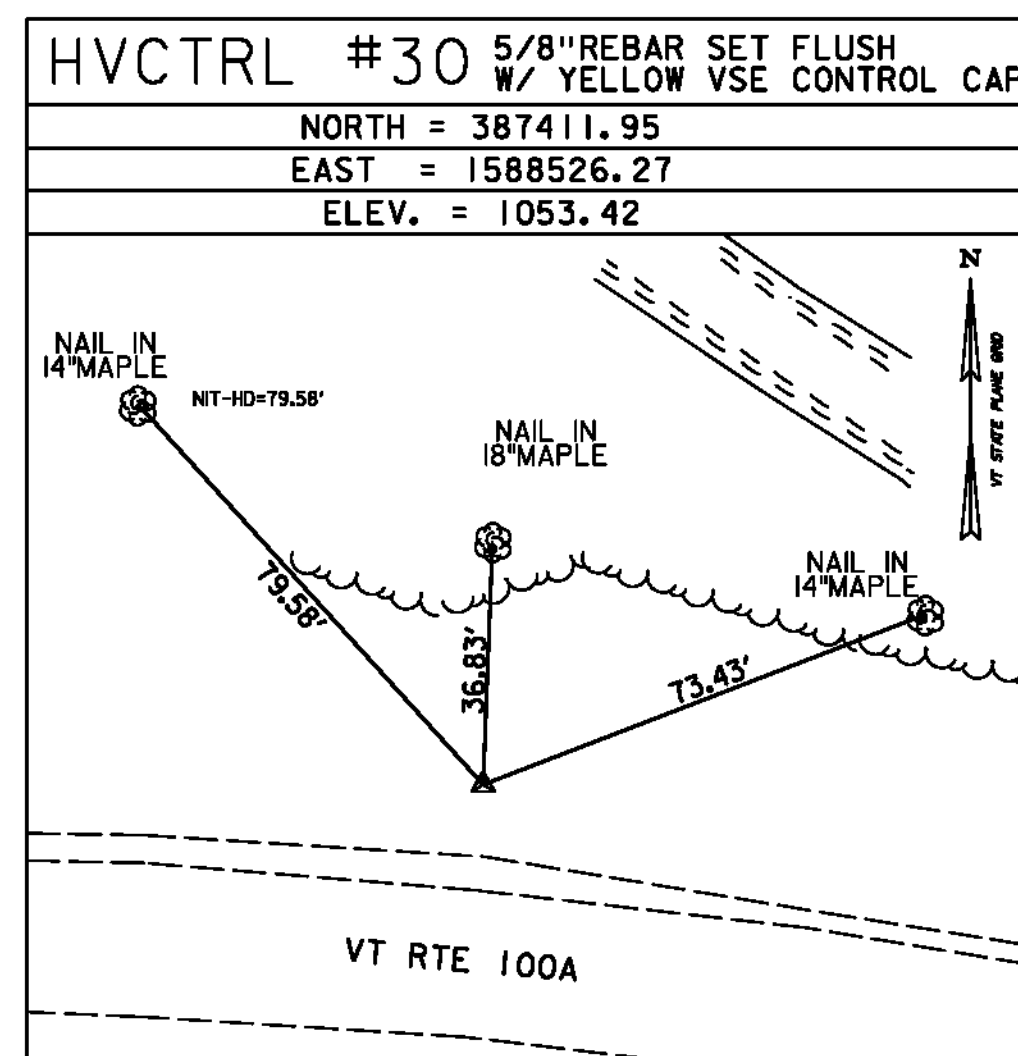
GPS CONTROL POINTS

DANBY CORS ARP

PID DL2318
 N = 310162.27
 E = 1508688.75
 ELLIP HEIGHT = 636.40

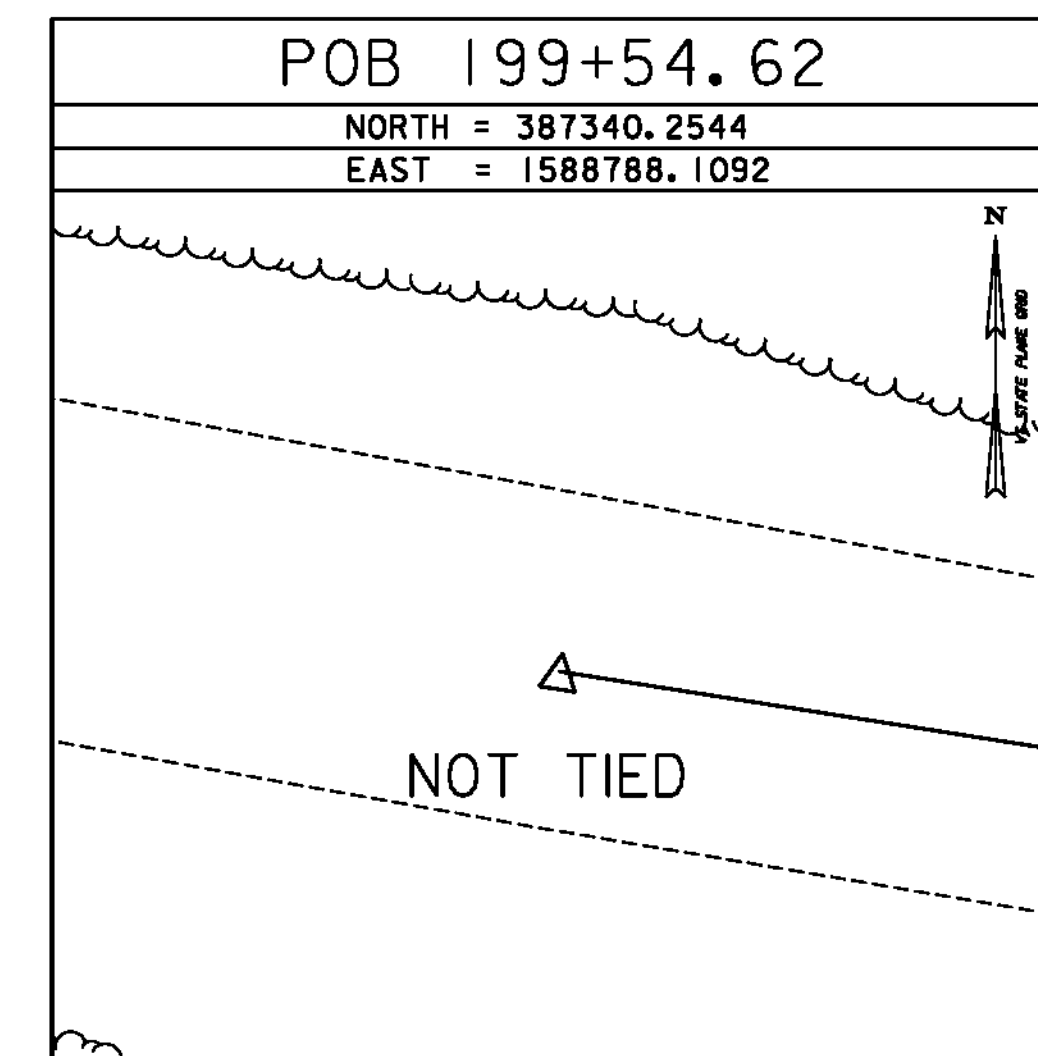
STATION IS A GPS CONTINUOUSLY OPERATING REFERENCE STATION. STATION IS THE ANTENNA REFERENCE POINT OF THE GPS ANTENNA. LOCATED AT THE DANBY, VERMONT CURRIER MEMORIAL SCHOOL, THE MONUMENT IS ATTACHED TO A TWO STORY CONCRETE & BRICK BUILDING WITH AN 8 FT CONCRETE FOUNDATION BUILT IN 1966. THE MAST IS A 1.75 INCH DIA. GALV PIPE THAT IS 108 INCHES LONG. THE MAST IS ATTACHED TO A STEEL MOUNTING FRAME WITH THREE ATTACHMENTS CONSISTING OF 3/8 INCH SS THROUGH BOLTS. THE MOUNTING FRAME IS ATTACHED TO THE BUILDING USING 8 ATTACHMENT POINTS. ALL 8 ATTACHMENTS ARE THROUGH BOLTED AND CONSIST OF 1/2 INCH SS THREADED ROD AND NUTS.

TRAVERSE TIES

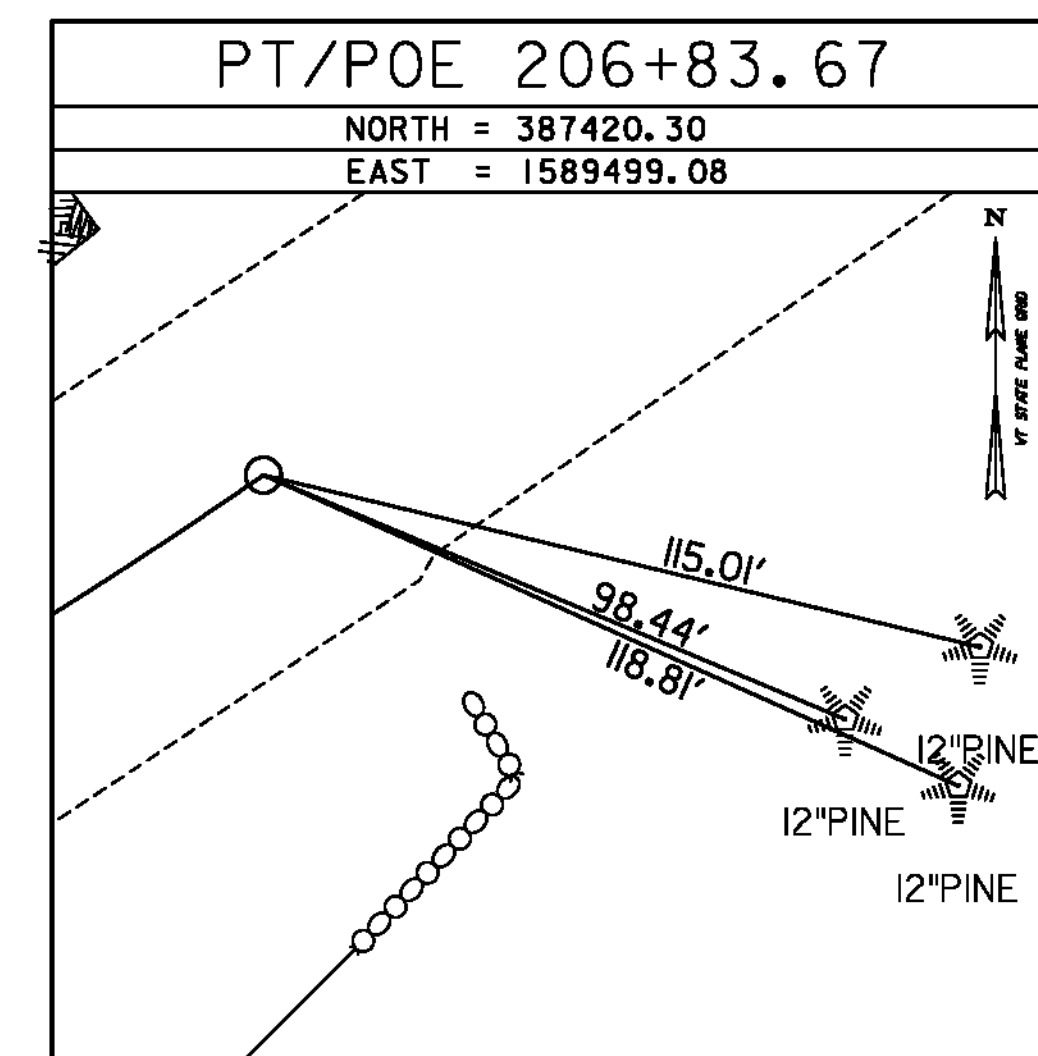
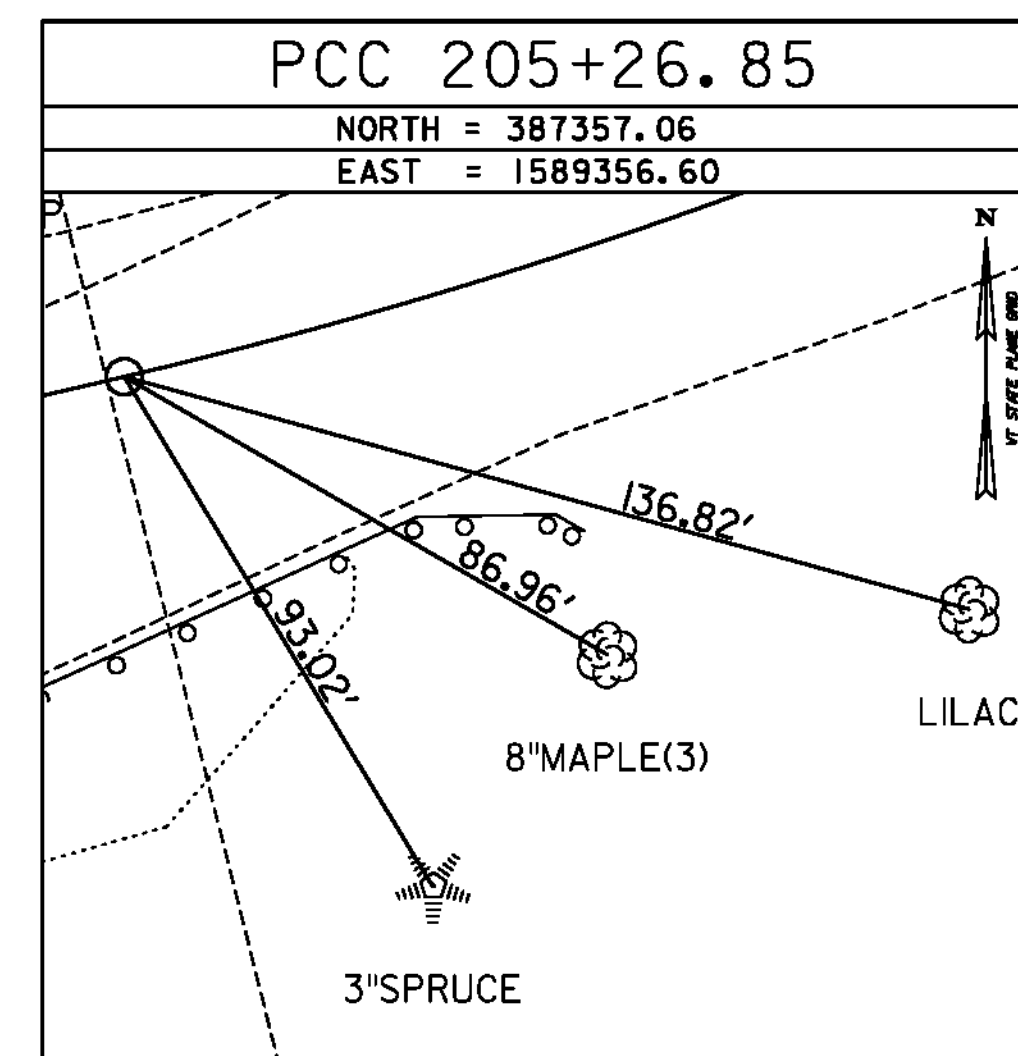
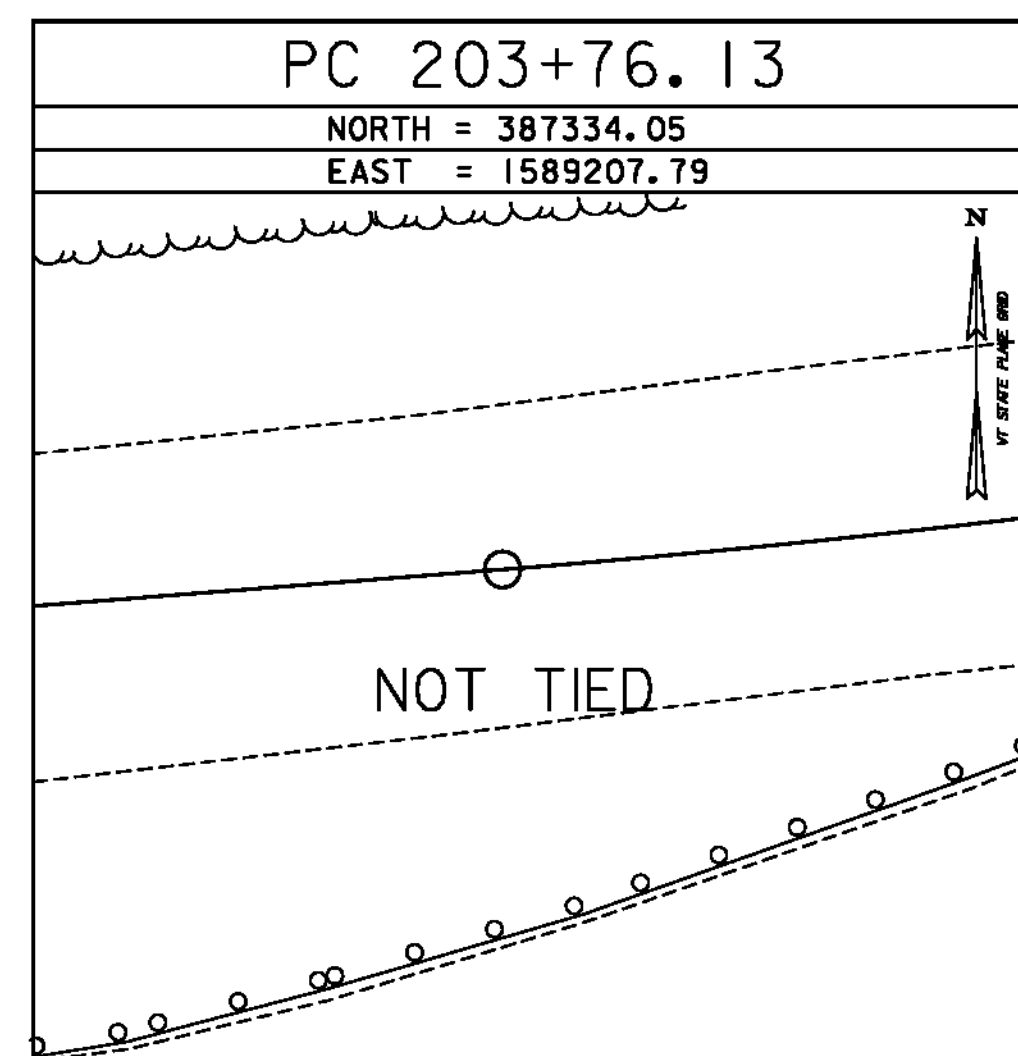
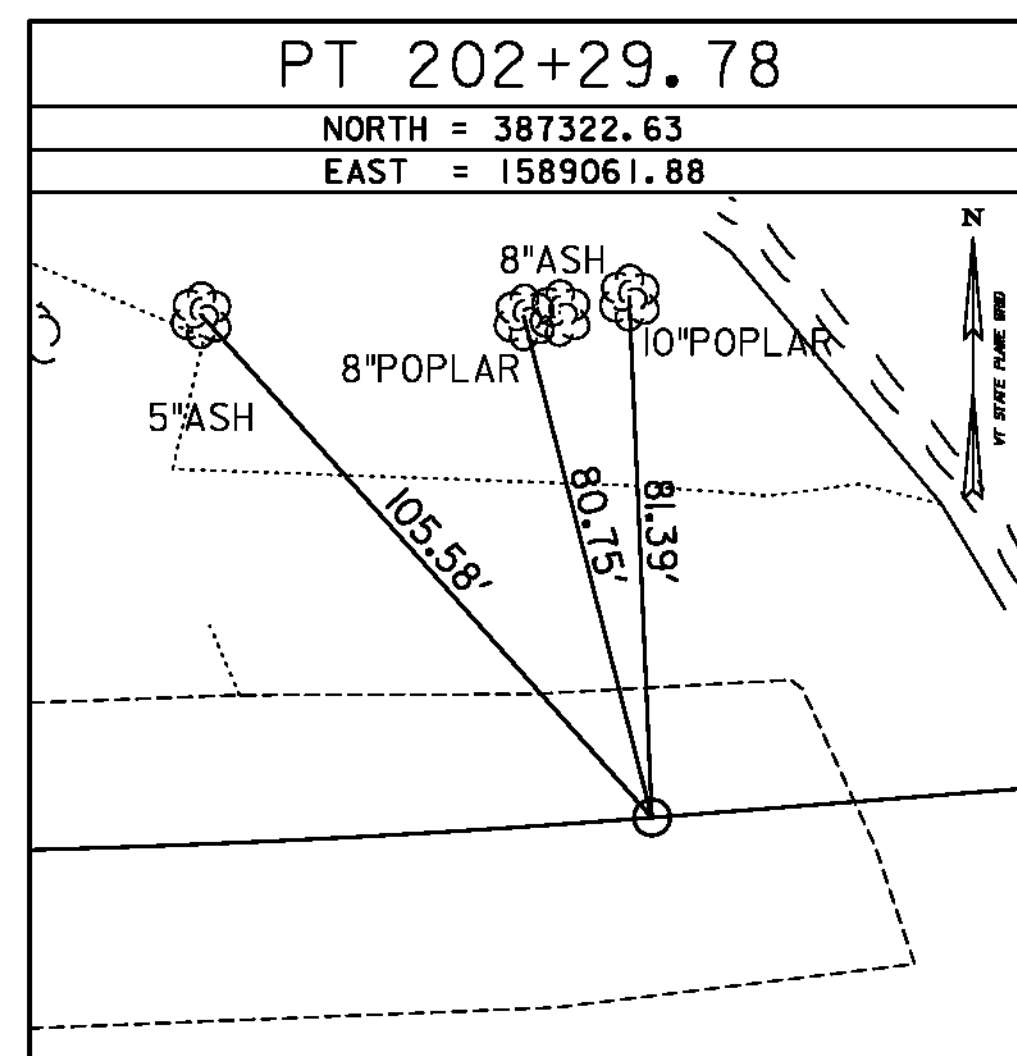
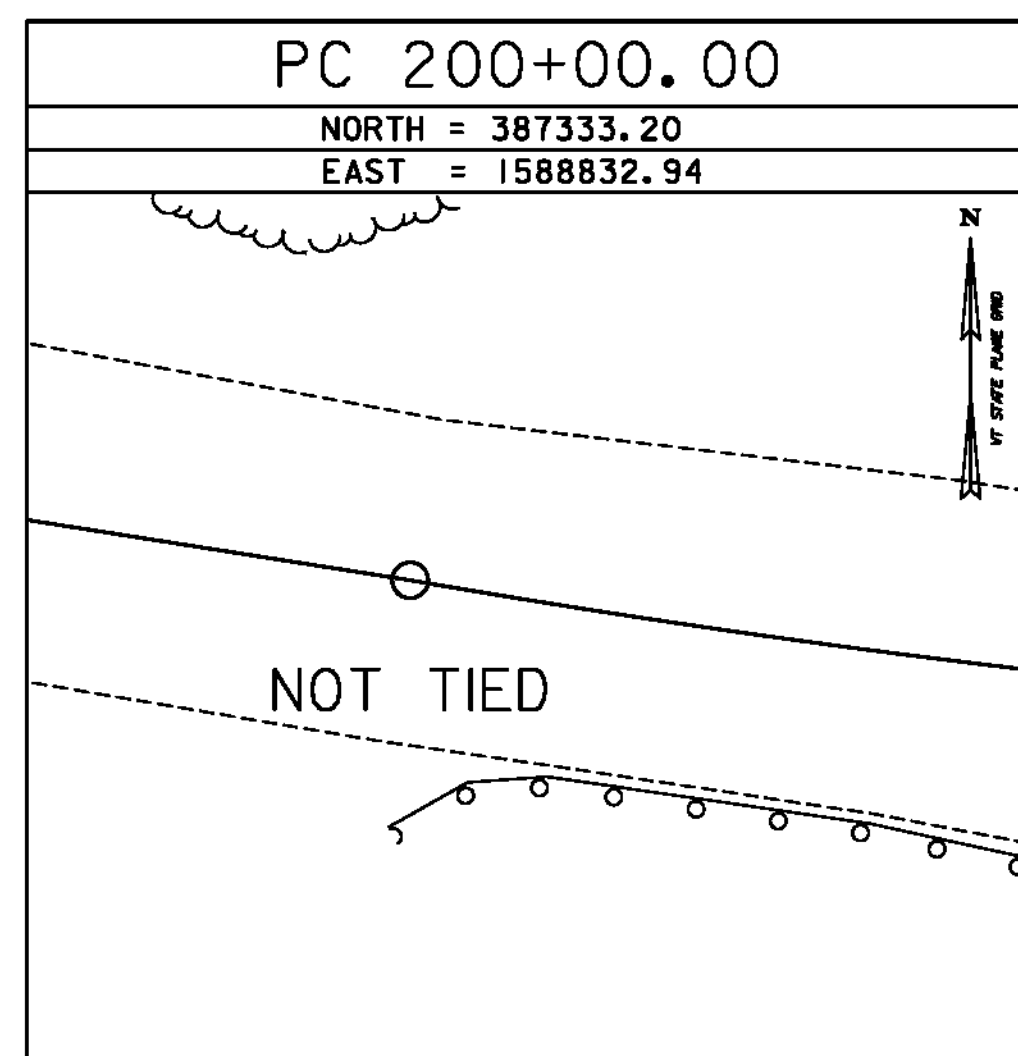


* MAIN TRAVERSE COMPLETED DECEMBER 13, 2011 BY VSE, T. CATTANEO-PC, T. COMSTOCK

ALIGNMENT TIES



ALIGNMENT TIES



DATUM	
VERTICAL	NAVD 88(GEIOD09) FT
HORIZONTAL	NAD 83(CORS) 6FT
ADJUSTMENT	LSQ



TYLIN INTERNATIONAL

PROJECT NAME: PLYMOUTH
 PROJECT NUMBER: ER BRS 0149(5)

FILE NAME: zllc330+1.dgn
 PROJECT LEADER: J. OLUND
 DESIGNED BY: A. GREENLAW

PLOT DATE: 9/20/2012
 DRAWN BY: T. KELLEY
 CHECKED BY: D. BRYANT
 SHEET 10 OF 46