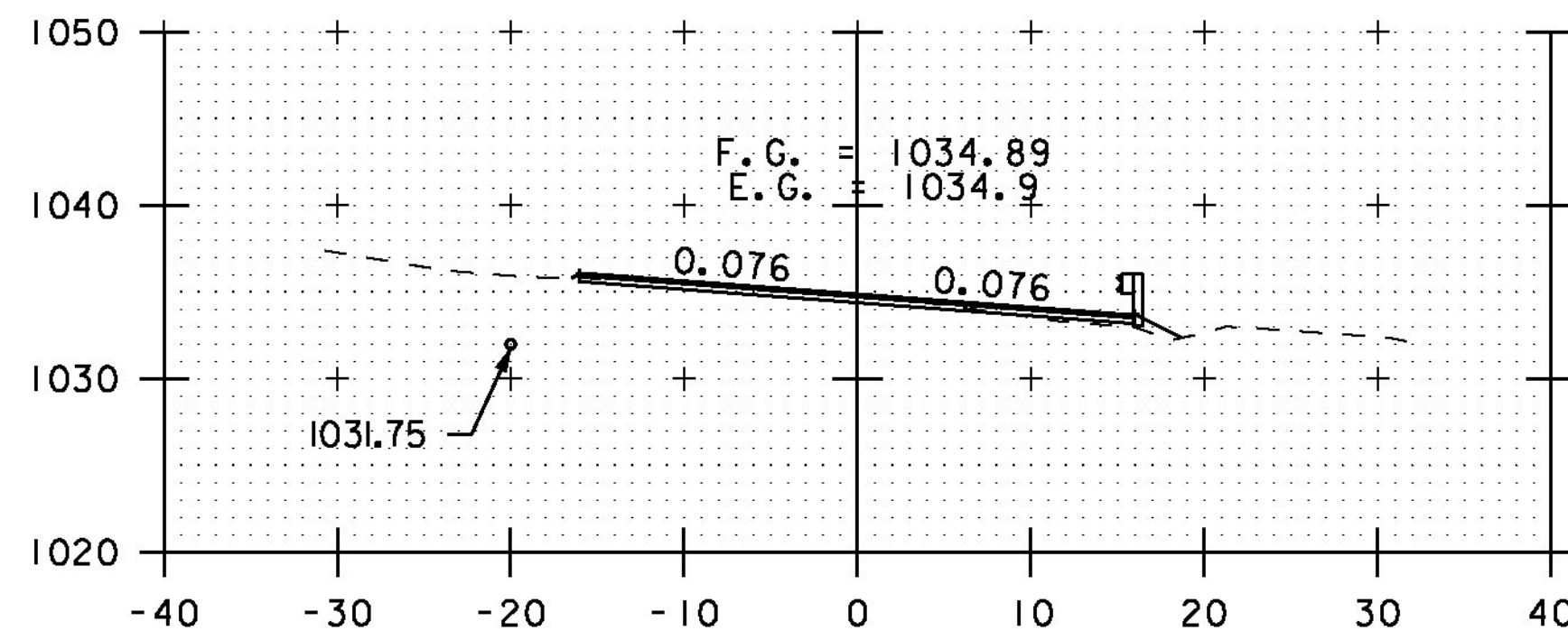
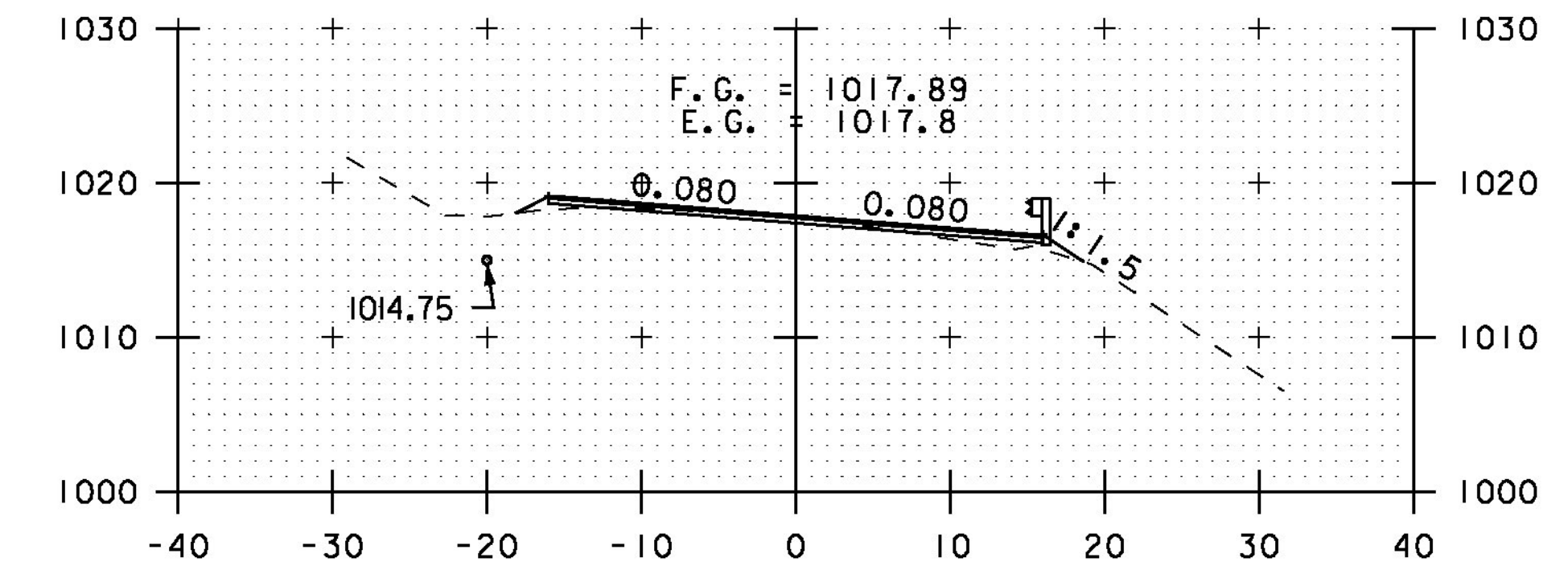


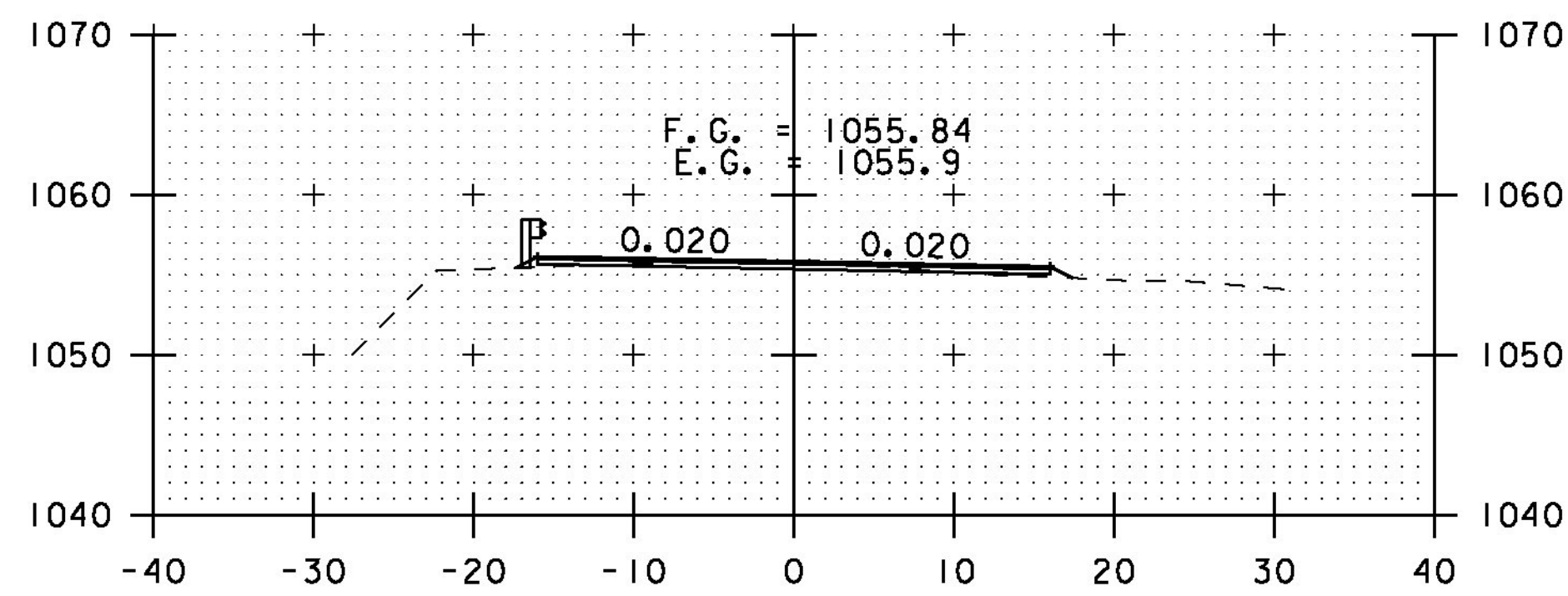
A 67+50



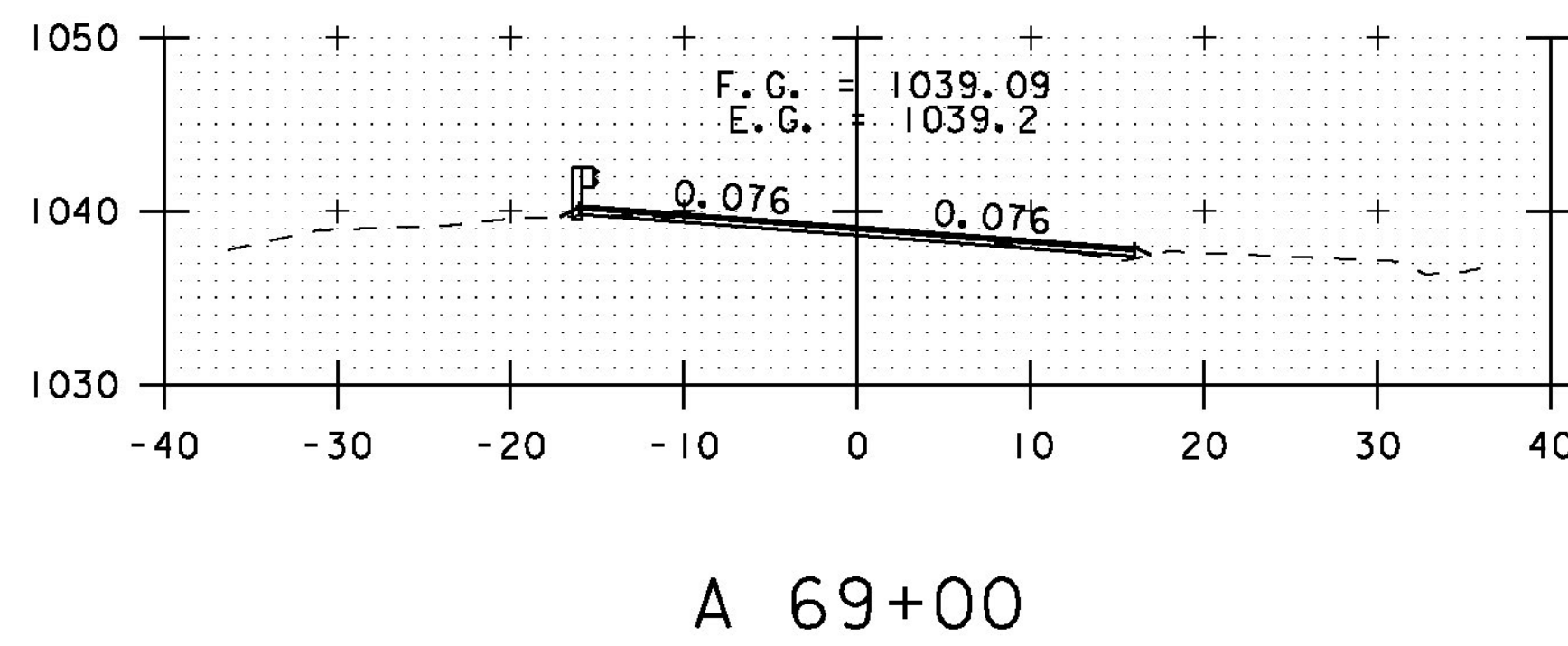
A 69+50



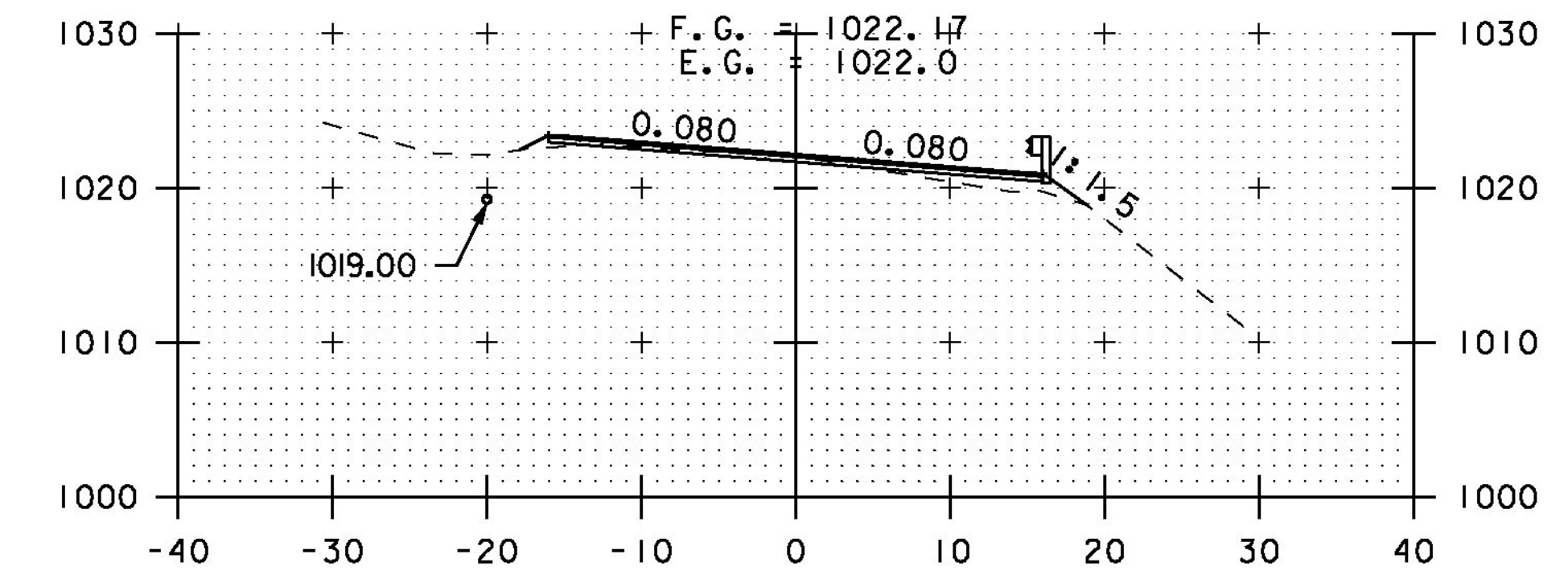
A 71+50



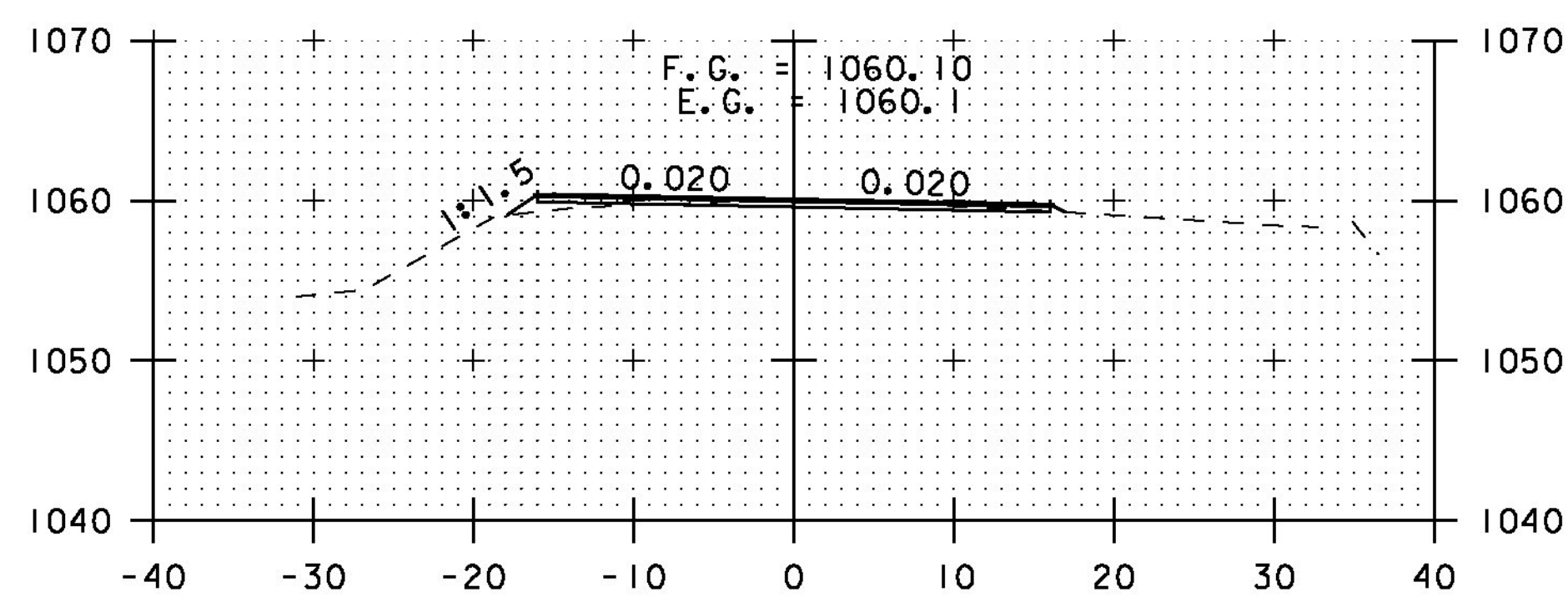
A 67+00



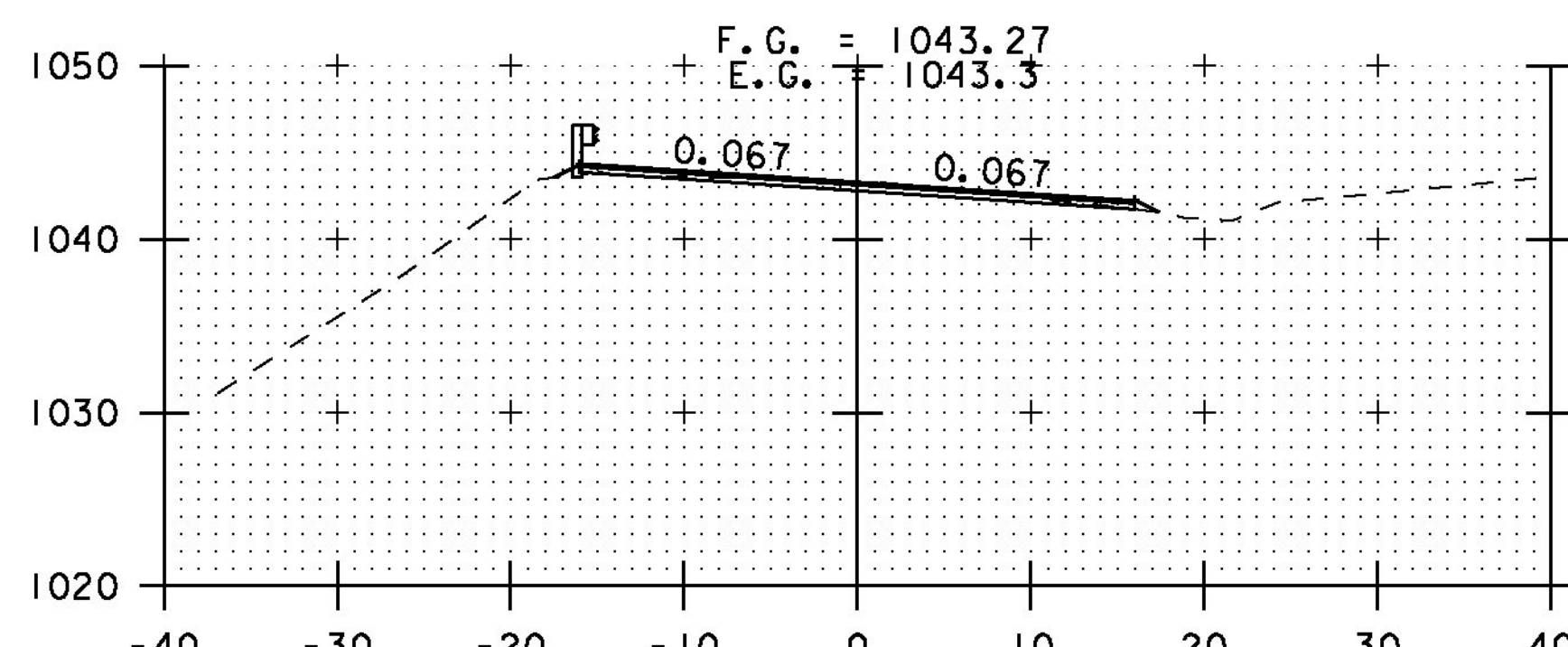
A 69+00



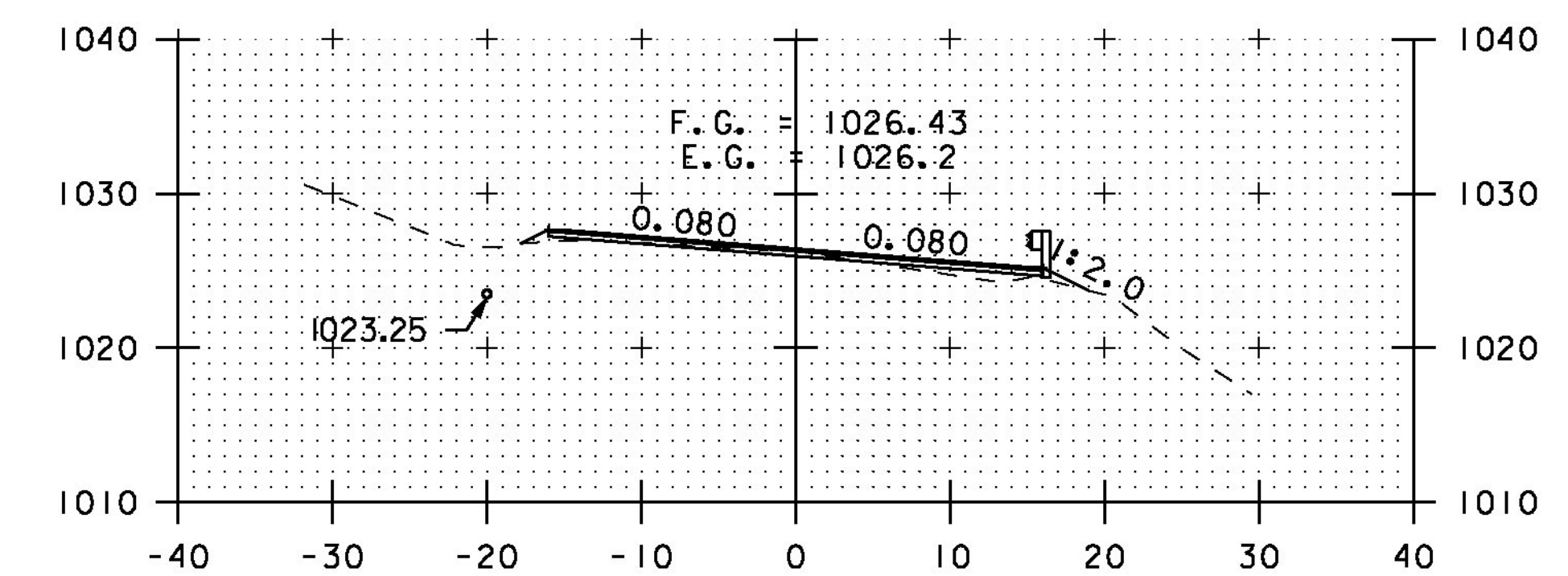
A 71+00



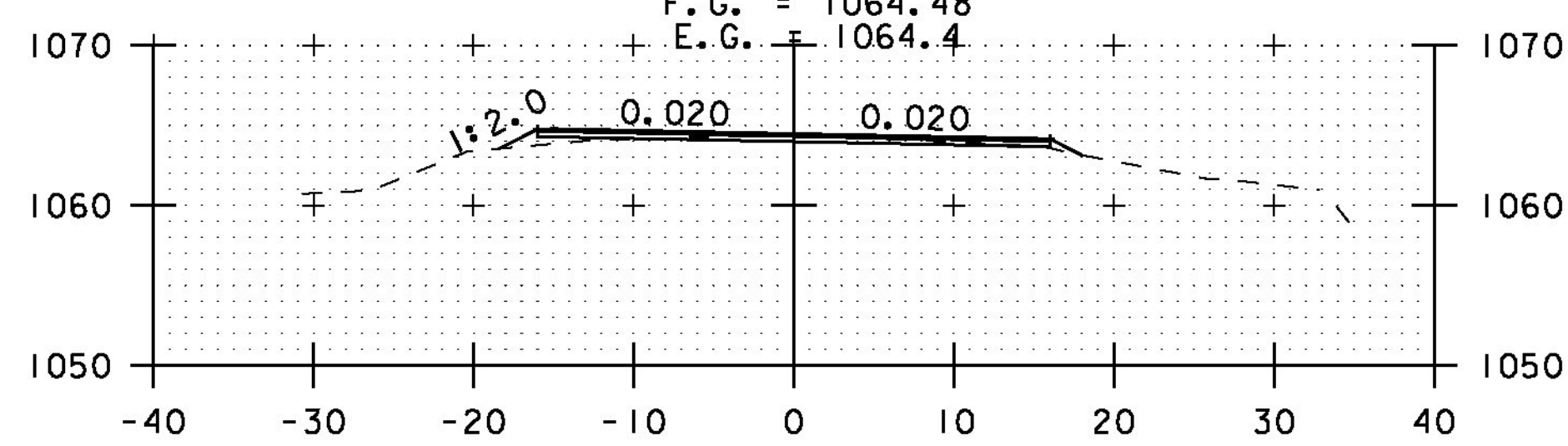
A 66+50



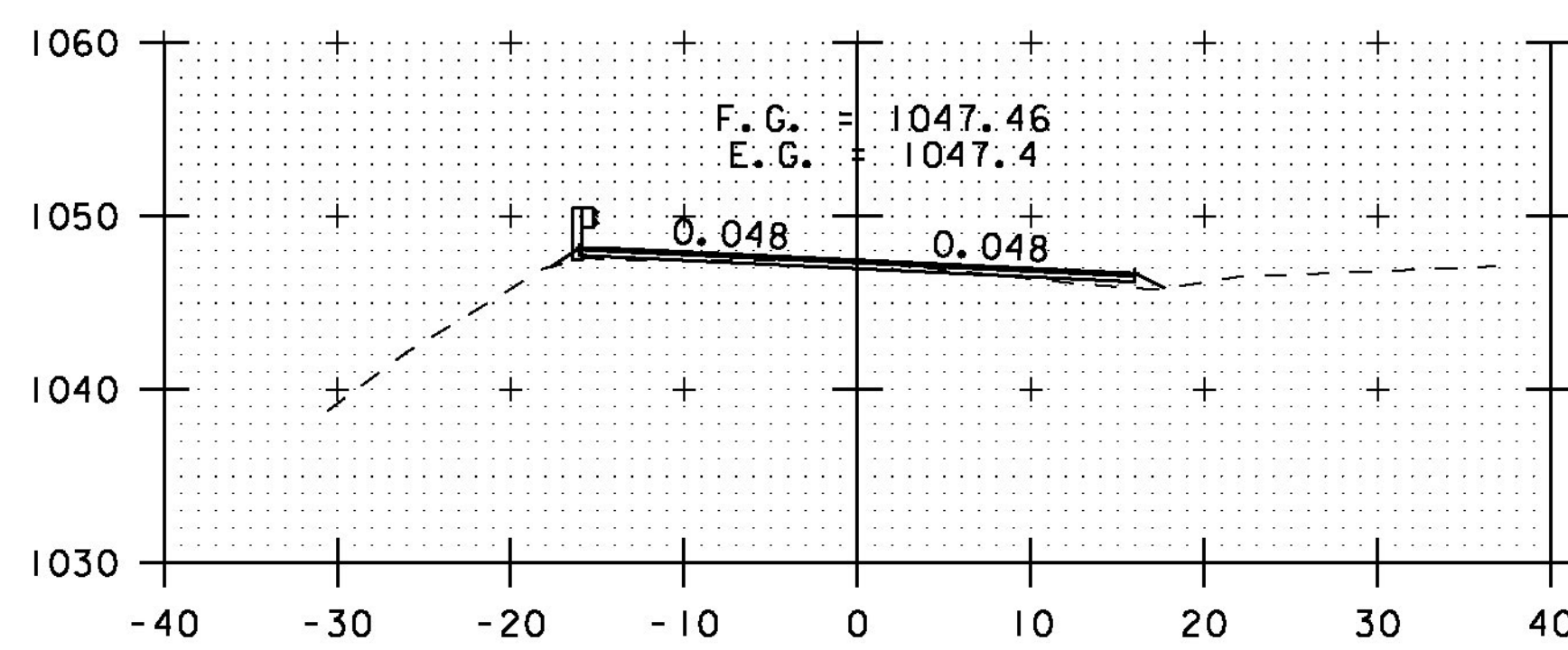
A 68+50



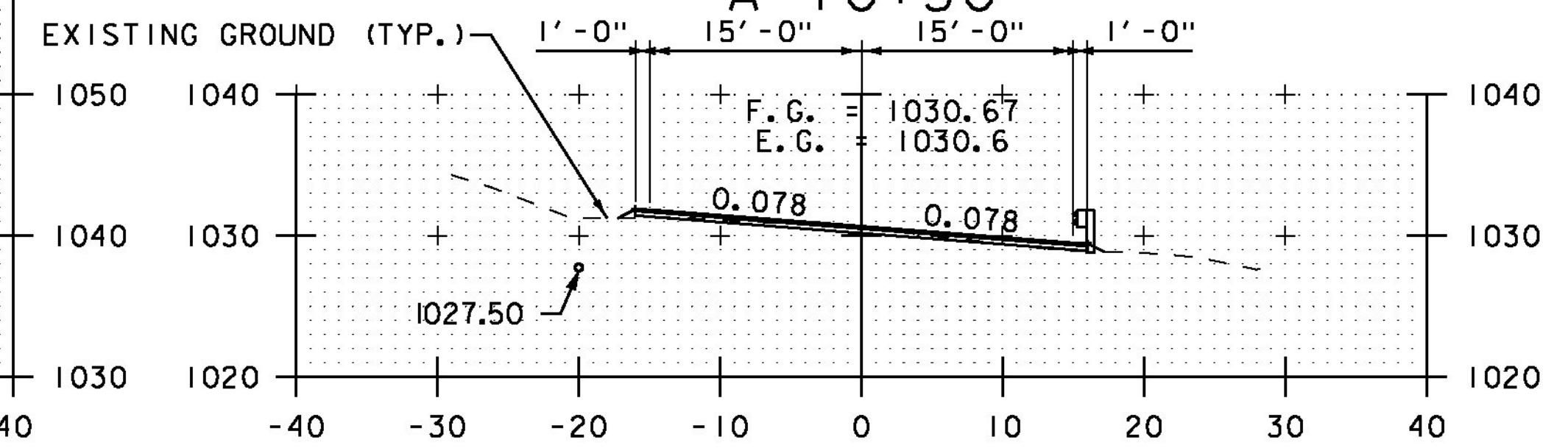
A 70+50



A 66+00



A 68+00



A 70+00

STA. A 66+00 TO STA. A 71+50



**CROSS SECTION SHEET 54**

PROJECT NAME: ELMORE-MORRISTOWN	PROJECT NUMBER: STP 2937 (1)
FILE NAME: z11c310.dgn	PLOT DATE: 3/3/14
PROJECT LEADER: C. LATHROP	DRAWN BY: B. MARTIN
DESIGNED BY: S. LAMPHERE	CHECKED BY: C. LATHROP
PLOT FILE: z11c310_182.i	SHEET 182 OF 194