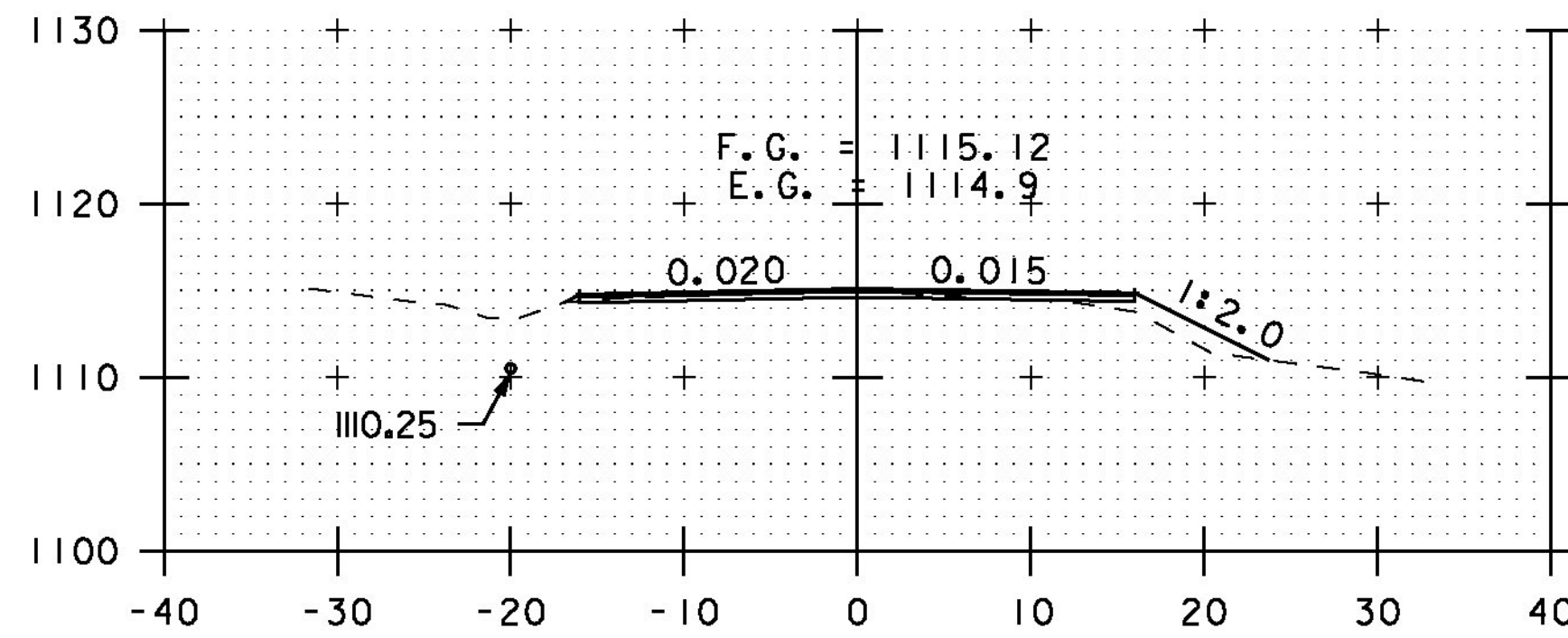
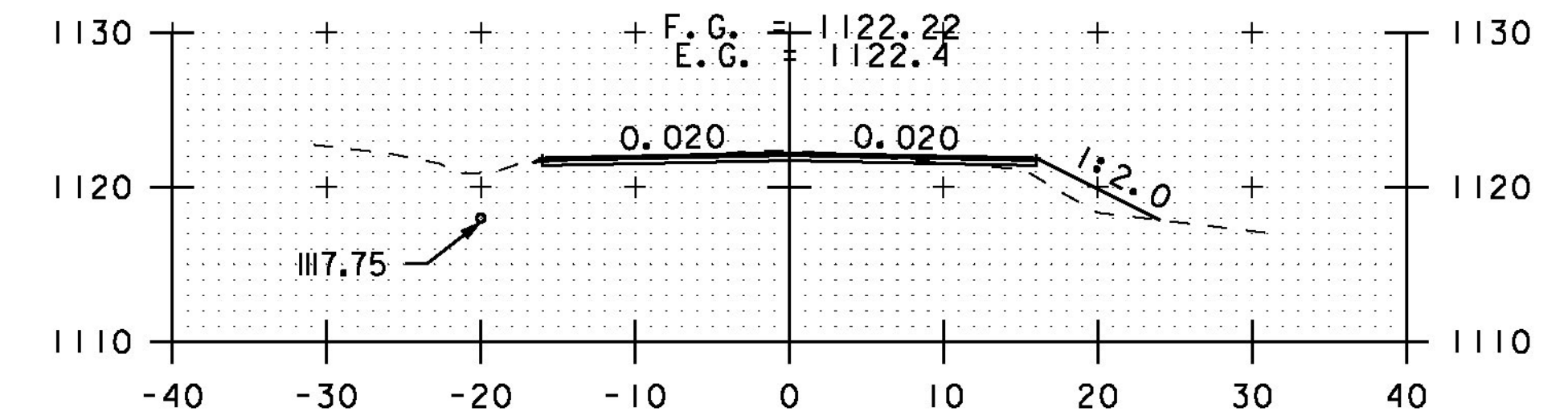


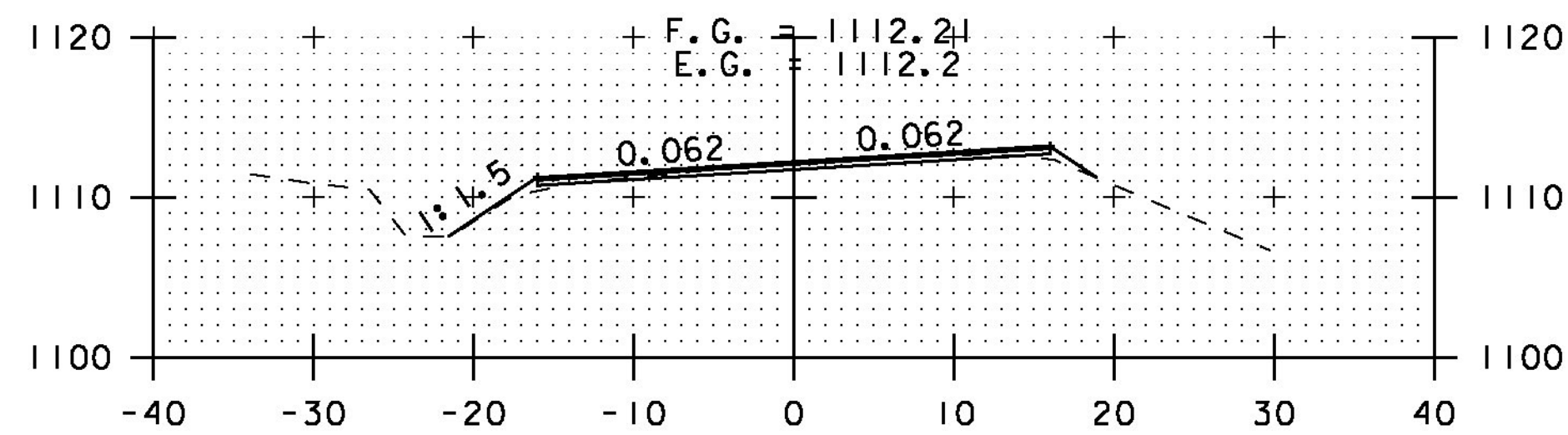
A 27+50



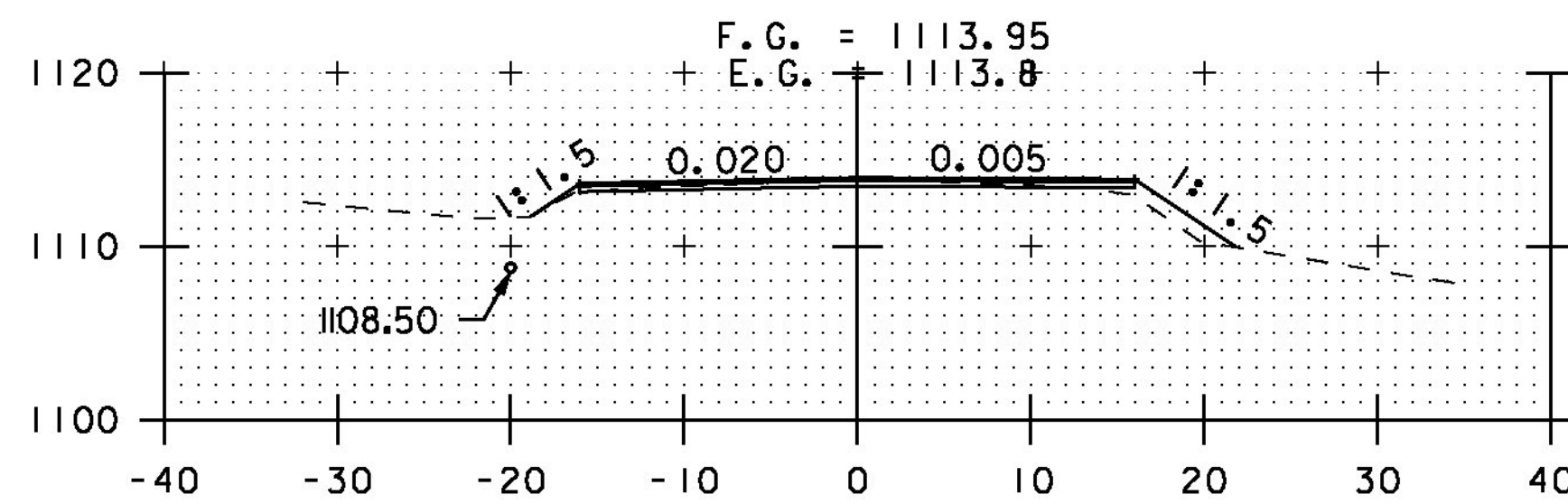
A 29+50



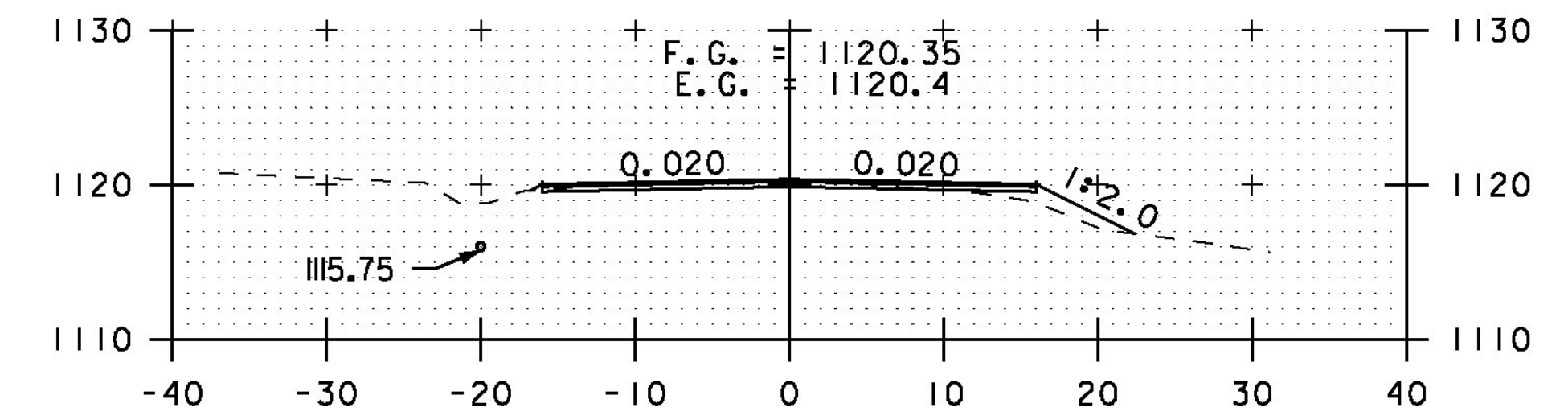
A 31+50



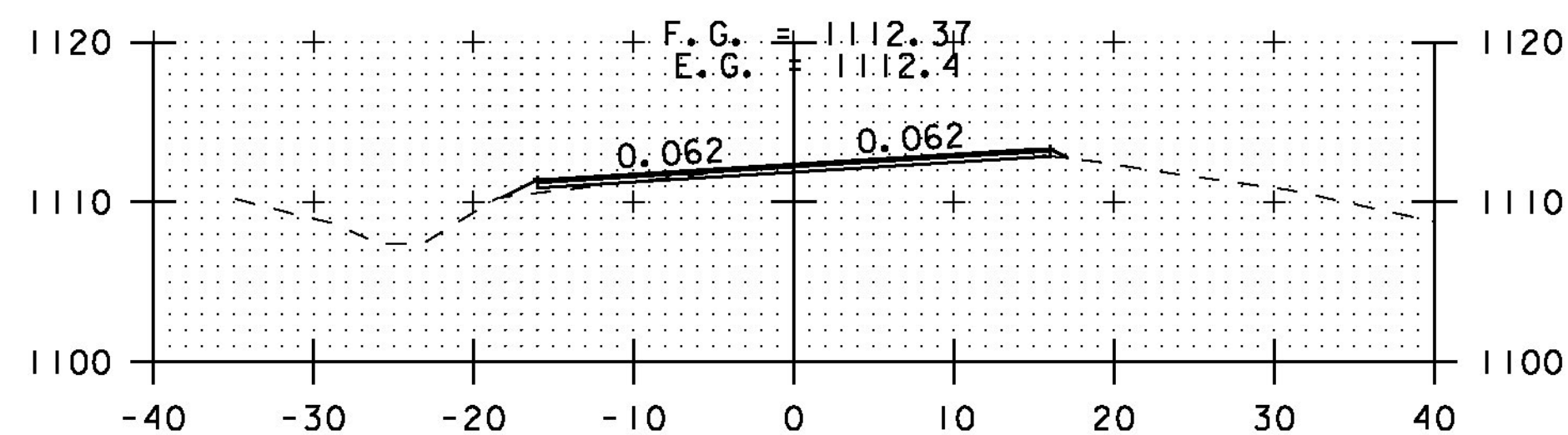
A 27+00



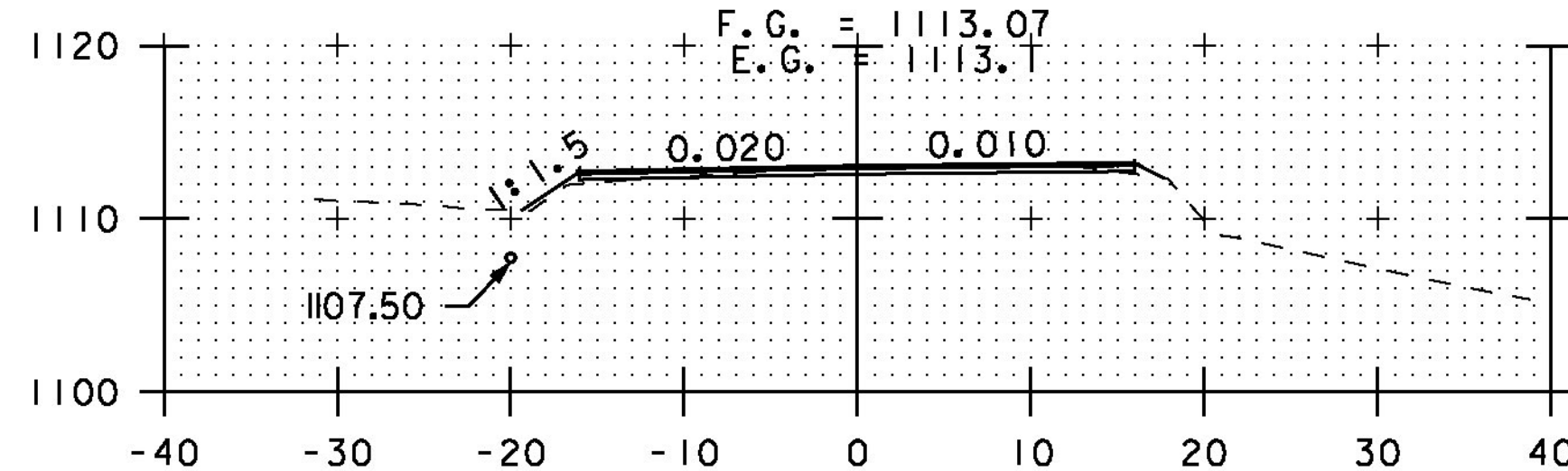
A 29+00



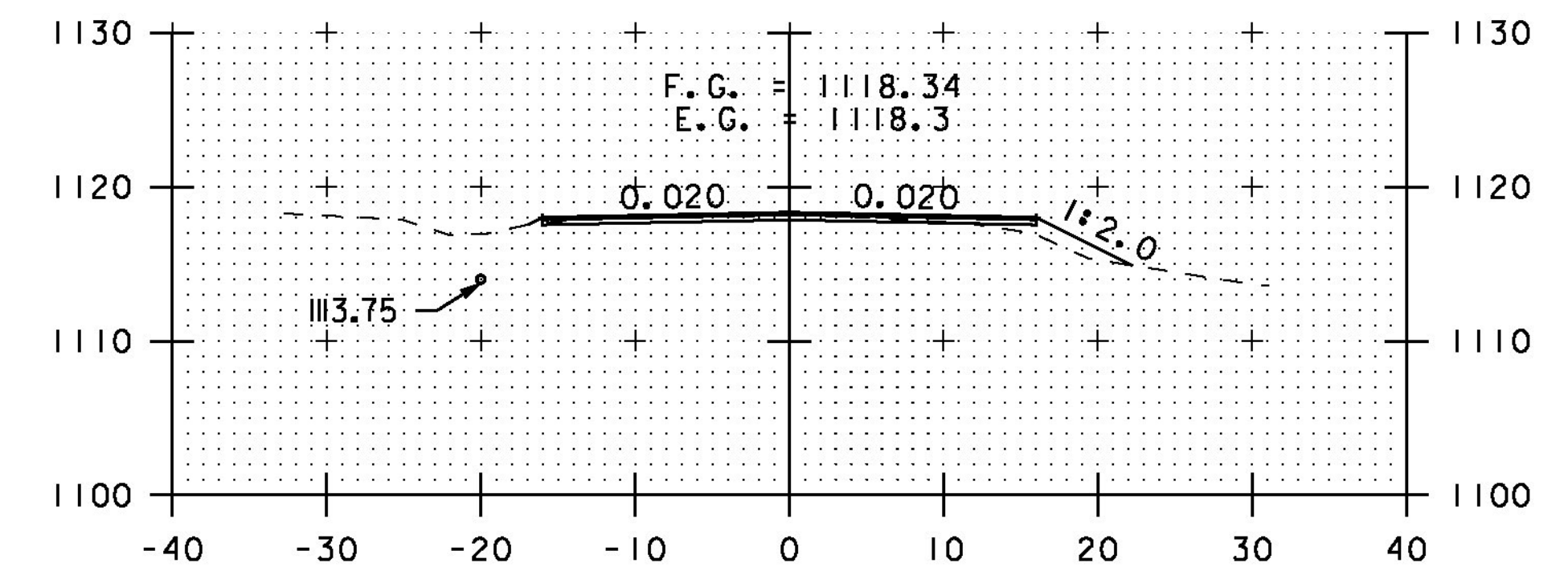
A 31+00



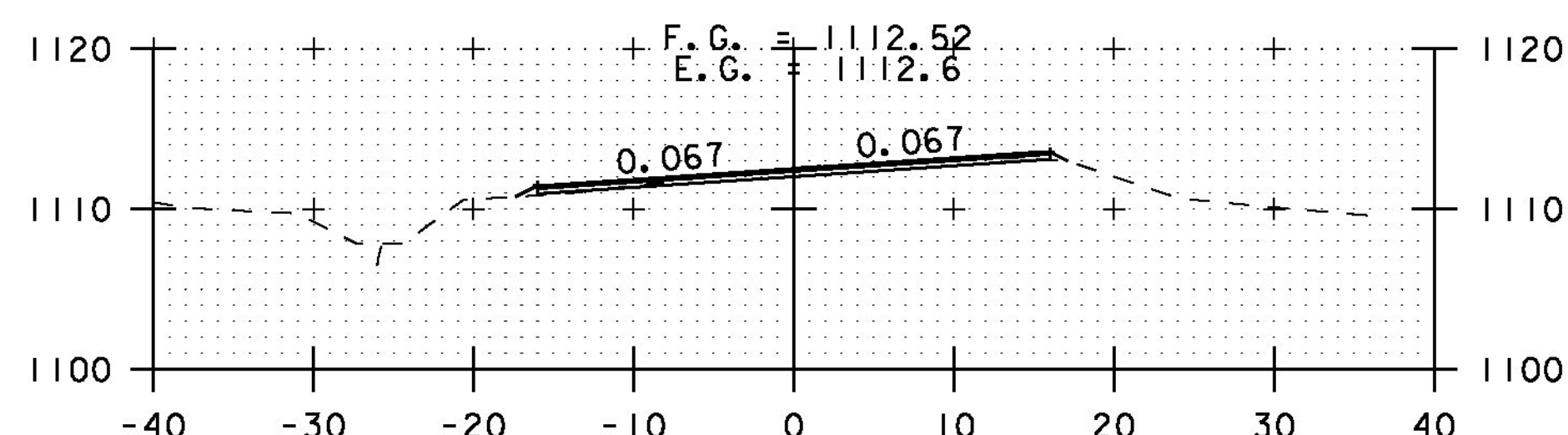
A 26+50



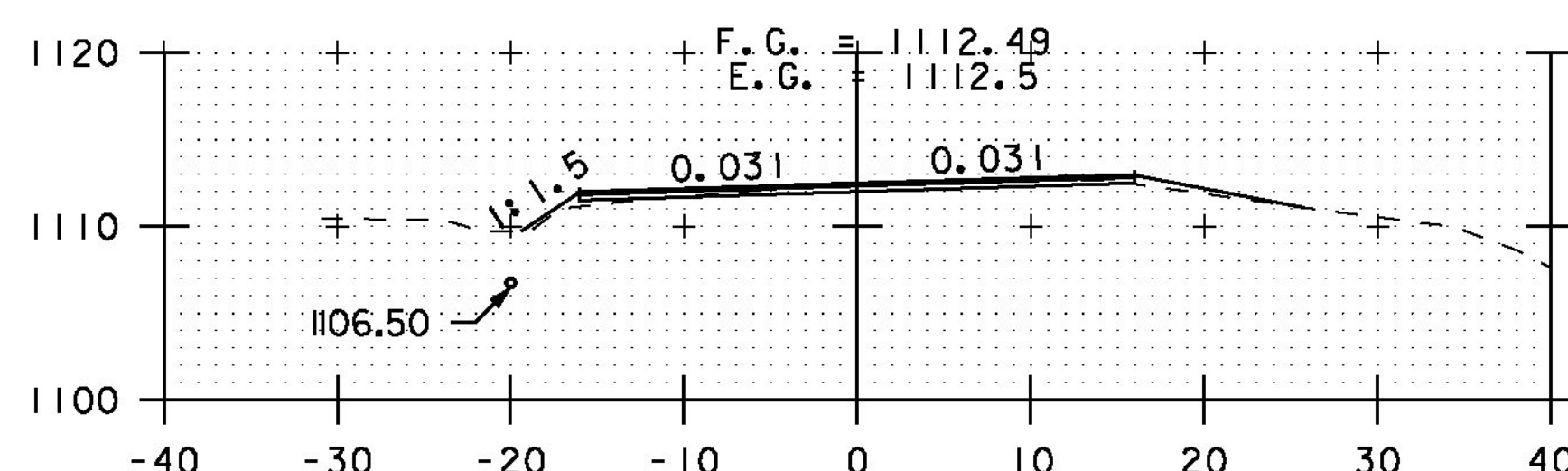
A 28+50



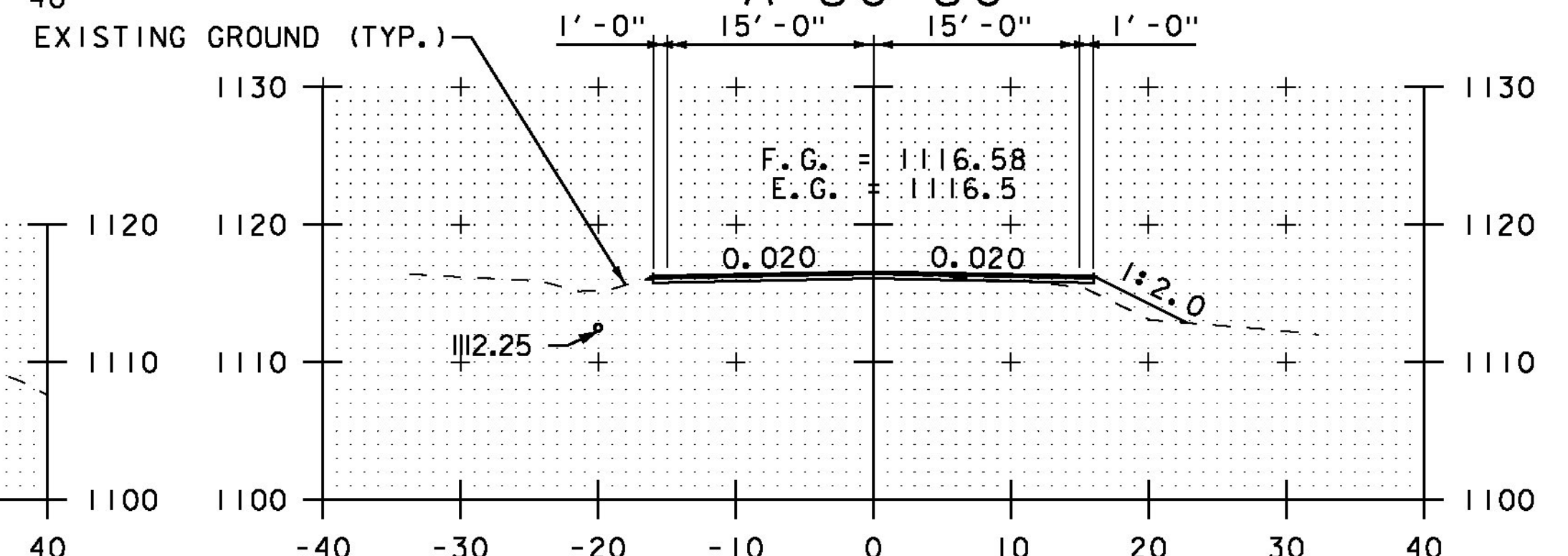
A 30+50



A 26+00



DRIVE RT
A 28+00



A 30+00

STA. A 26+00 TO STA. A 31+50



CROSS SECTION SHEET 47

PROJECT NAME: ELMORE-MORRISTOWN

PROJECT NUMBER: STP 2937 (1)

FILE NAME: z11c310.dgn

PROJECT LEADER: C. LATHROP

DESIGNED BY: S. LAMPHERE

PLOT FILE: z11c310_175.i

PLOT DATE: 3/3/14

DRAWN BY: B. MARTIN

CHECKED BY: C. LATHROP

SHEET 175 OF 194