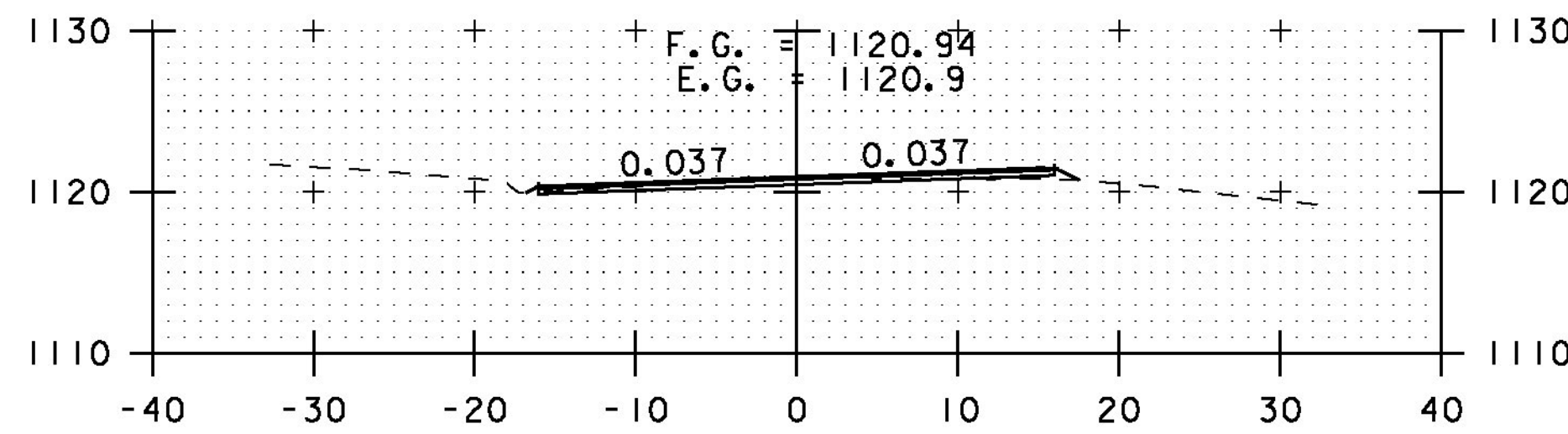
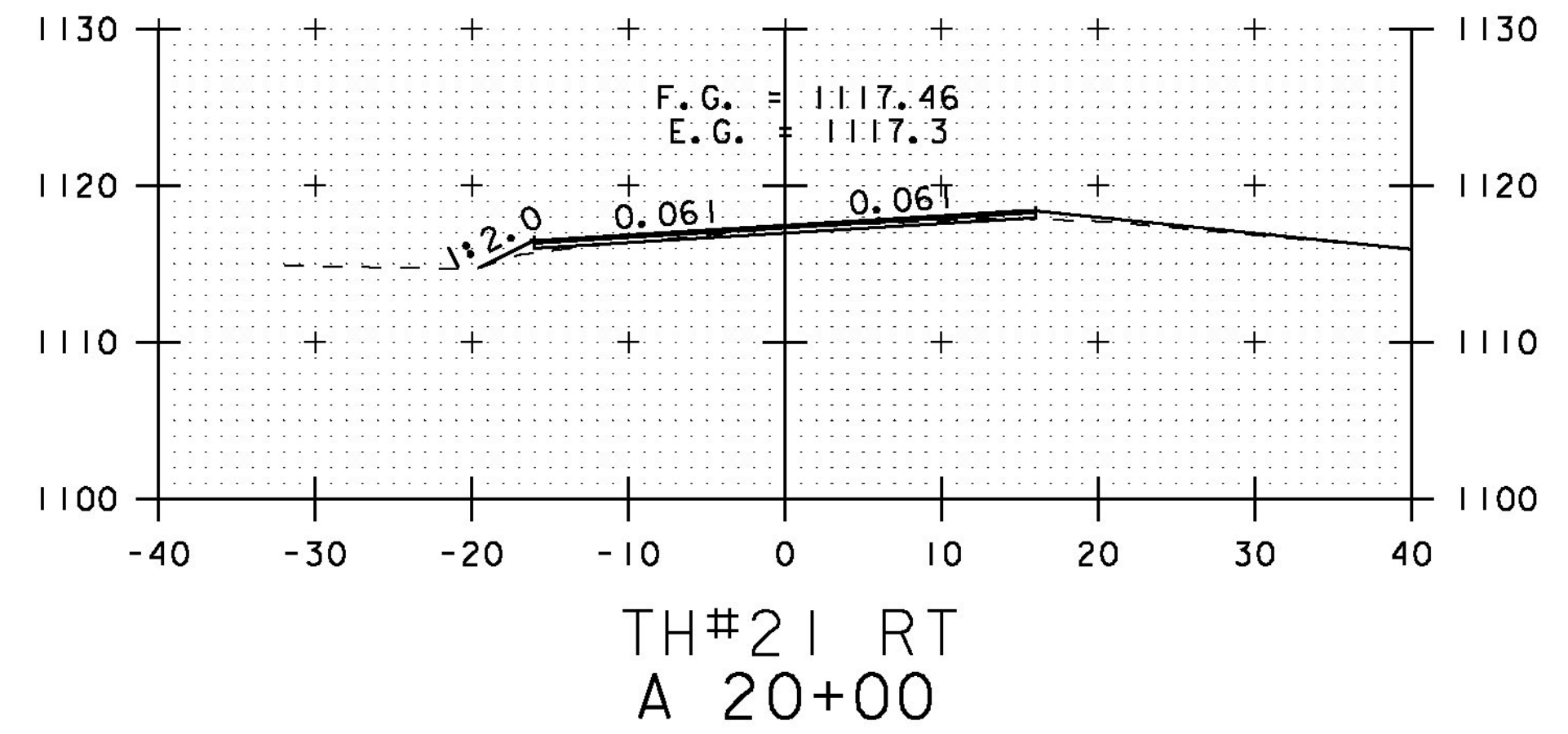


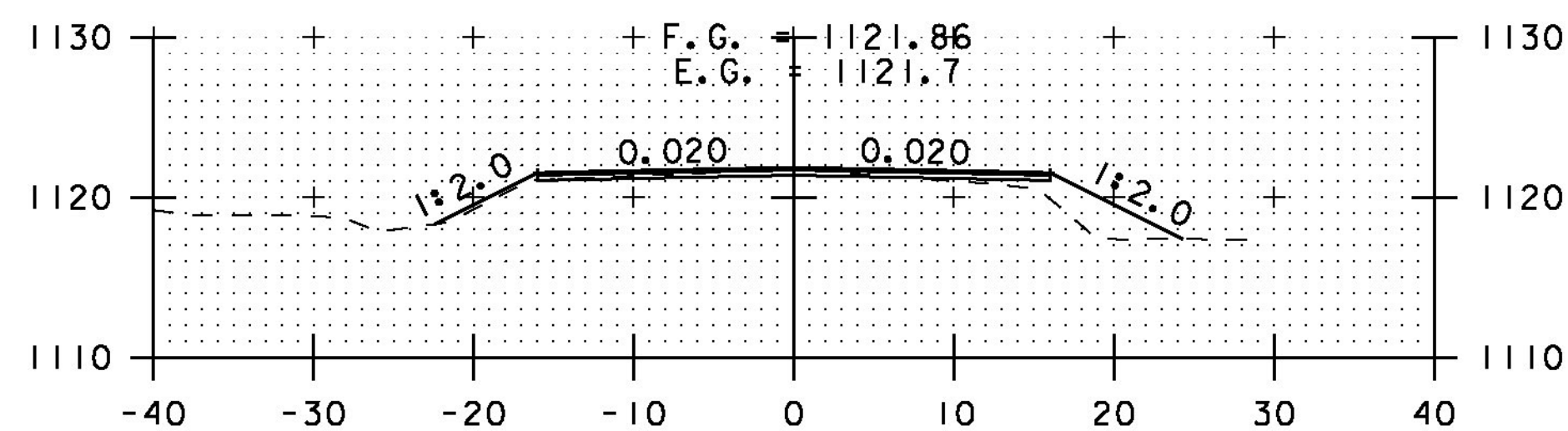
A 16+00



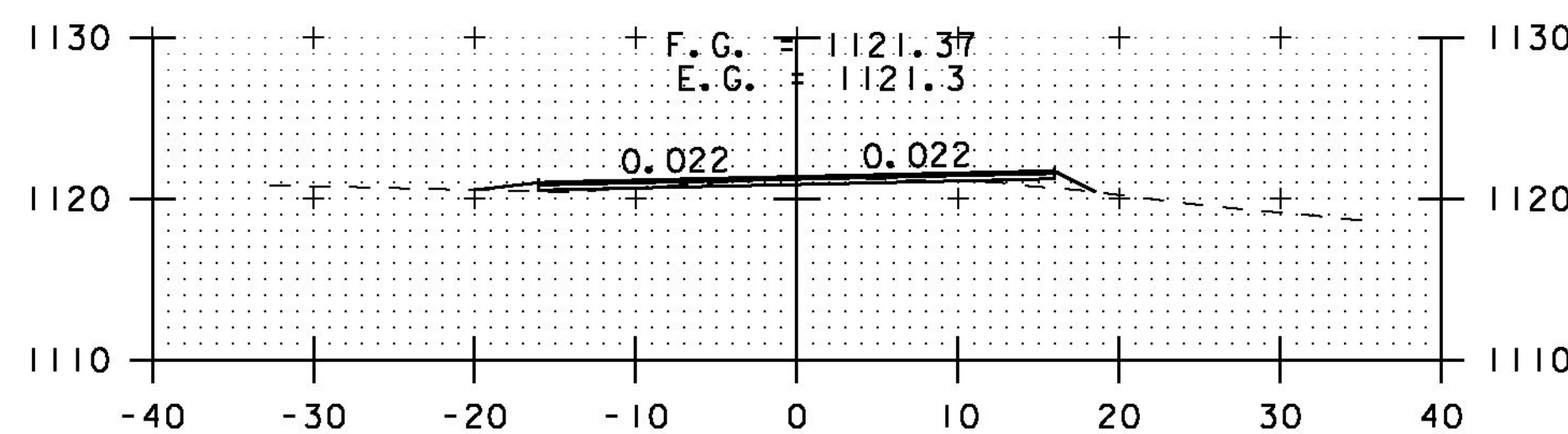
A 18+00



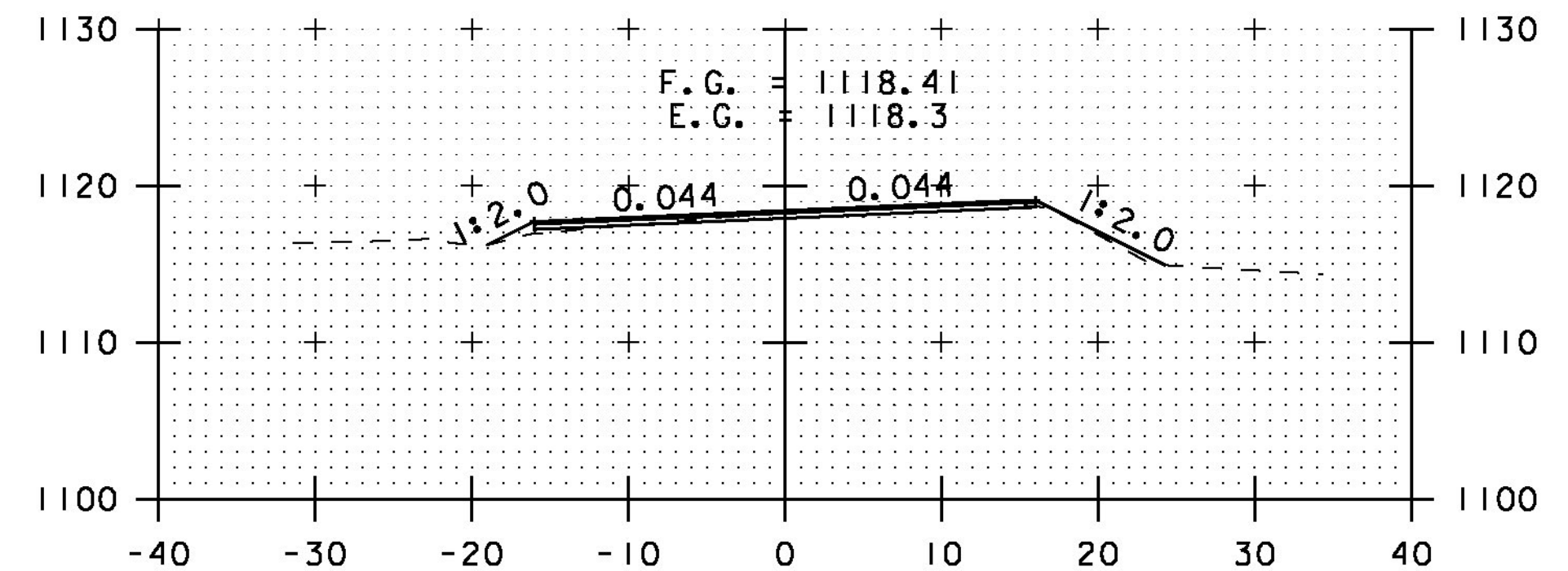
TH#21 RT
A 20+00



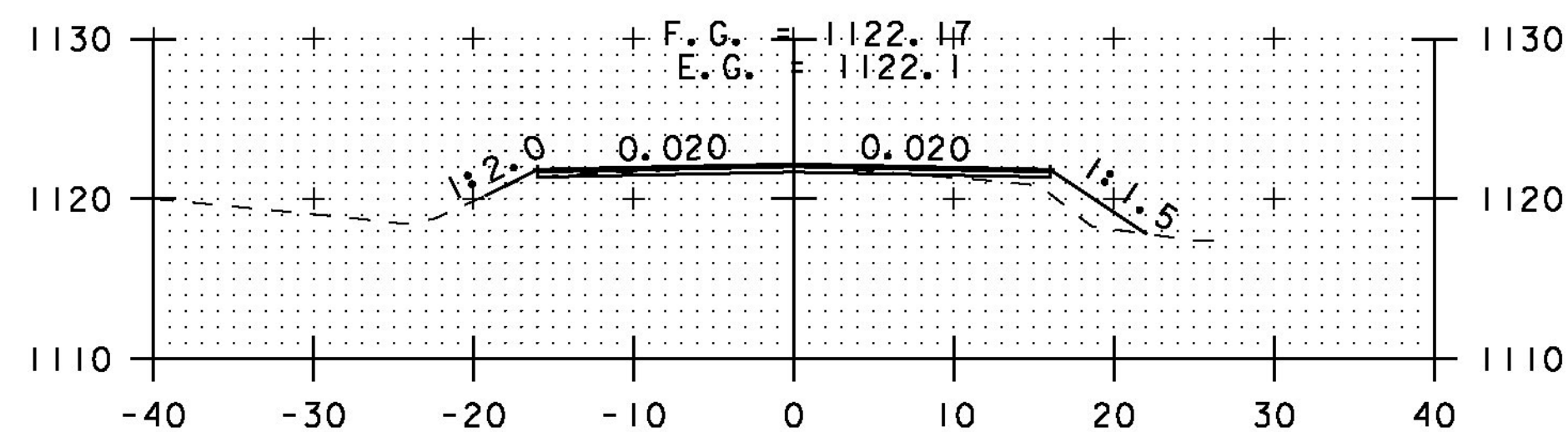
A 15+50



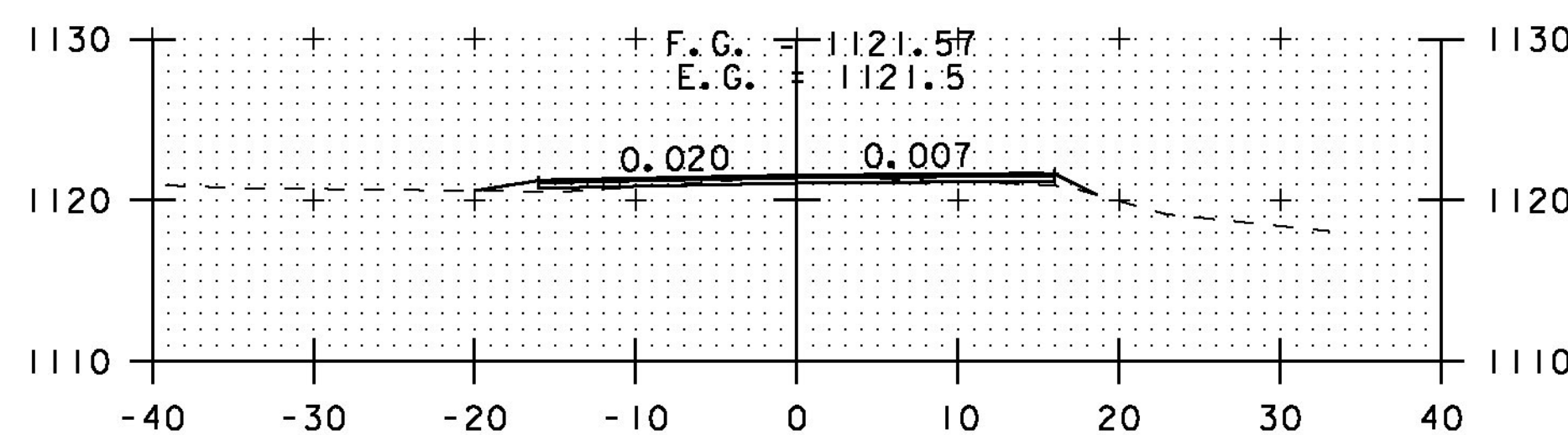
DRIVE LT
A 17+50



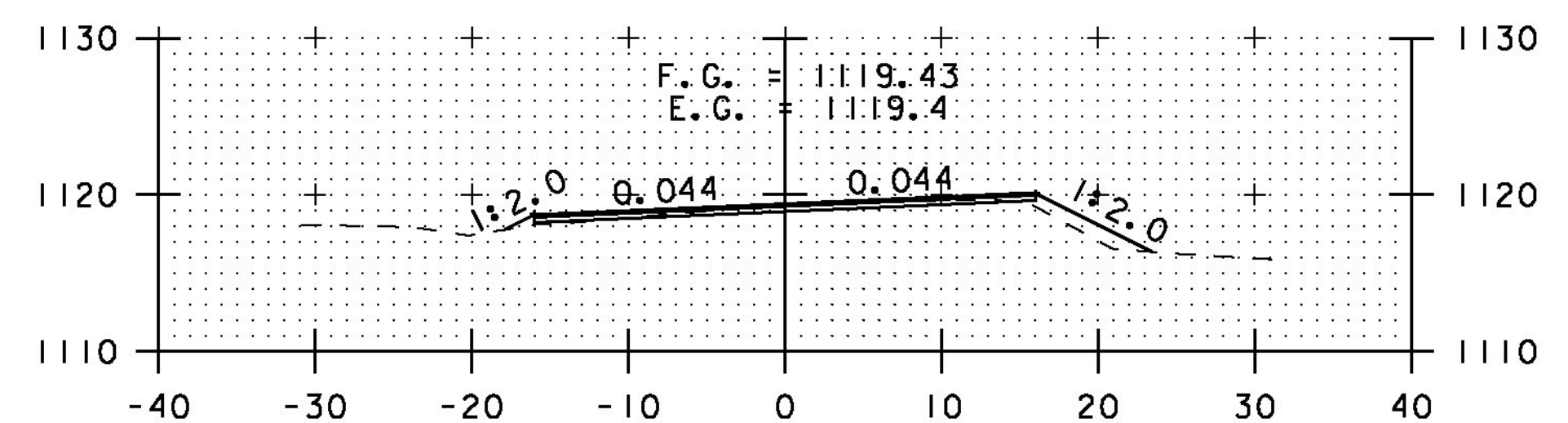
A 19+50



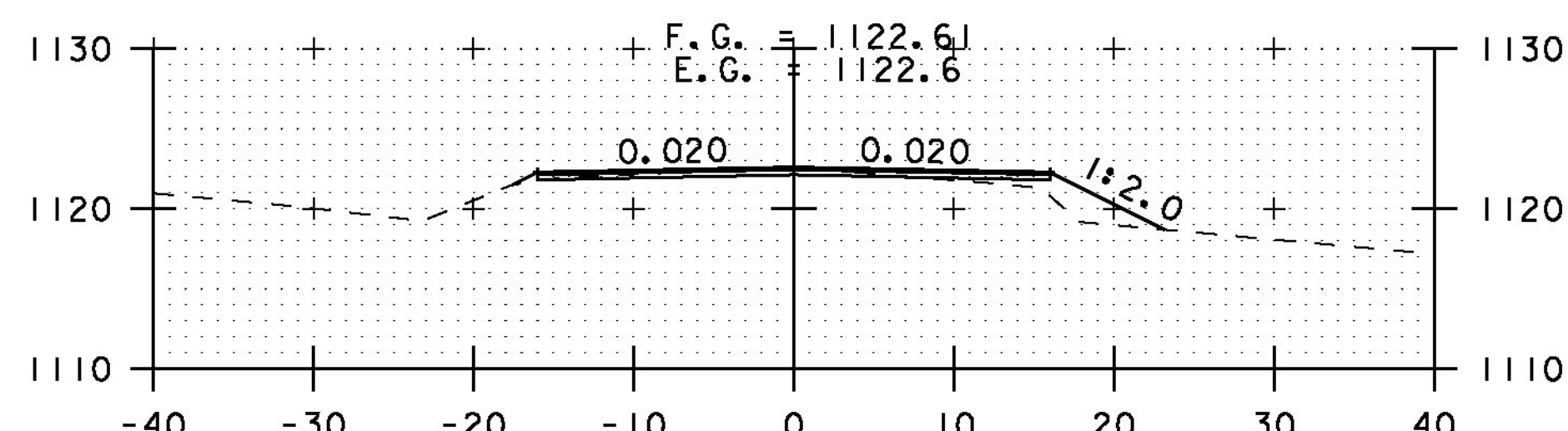
A 15+00



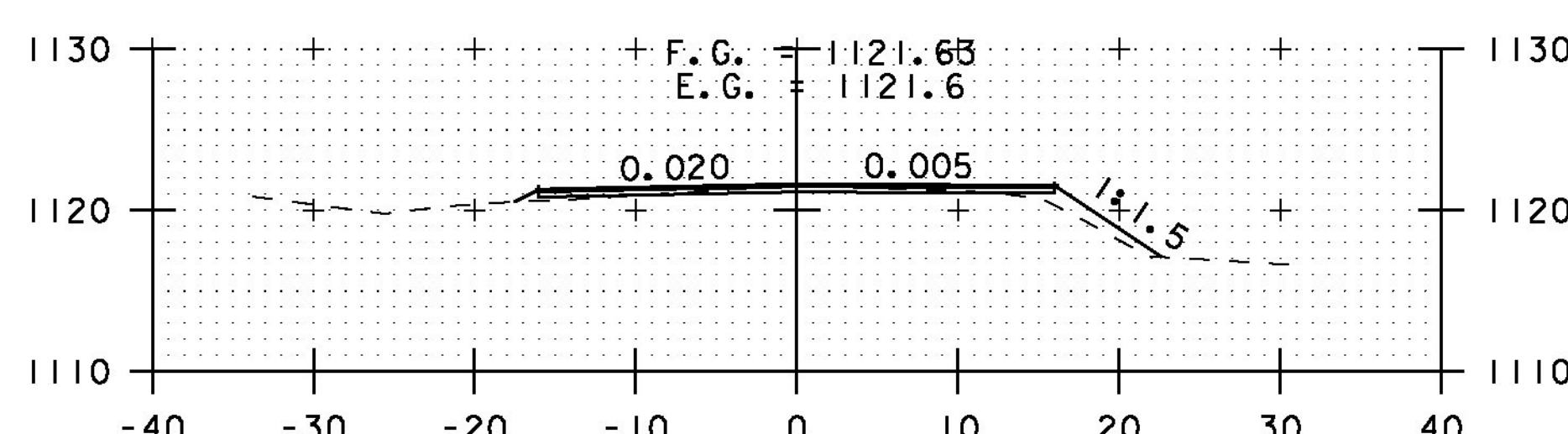
DRIVE LT
A 17+00



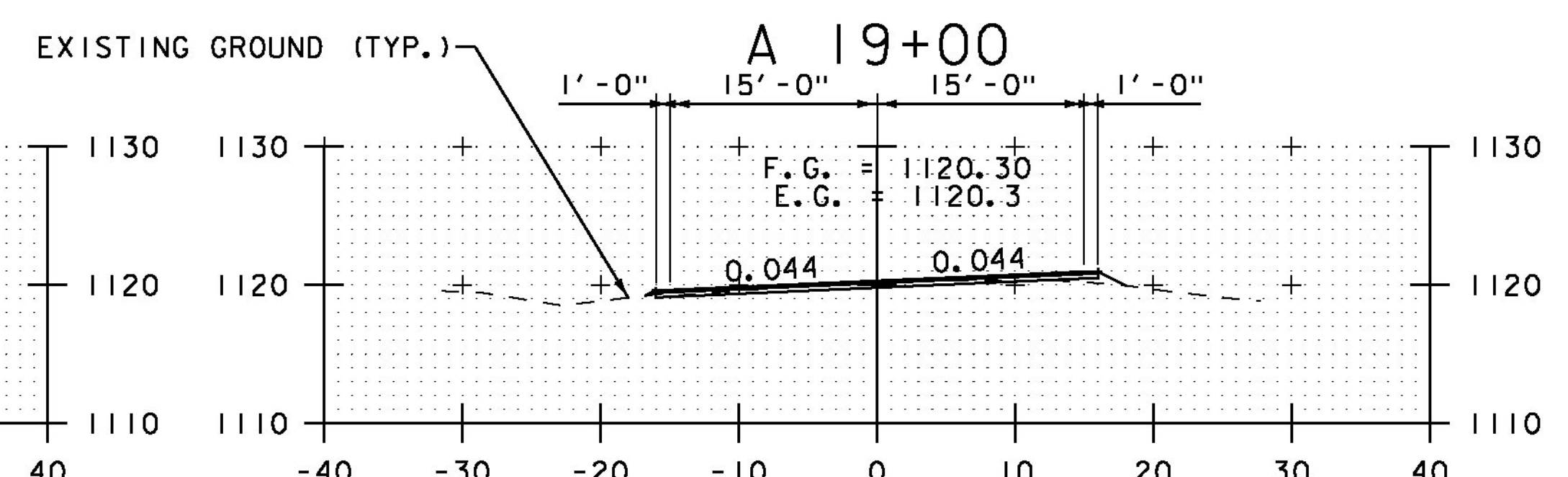
A 19+00



A 14+50



A 16+50



A 18+50

STA. A 14+50 TO STA. A 20+00

SCALE 1" = 10'-0"
10 0 10

CROSS SECTION SHEET 45

PROJECT NAME: ELMORE-MORRISTOWN

PROJECT NUMBER: STP 2937 (1)

FILE NAME: z11c310.dgn

PROJECT LEADER: C. LATHROP

DESIGNED BY: S. LAMPHERE

PLOT FILE: z11c310_173.i

PLOT DATE: 3/3/14

DRAWN BY: B. MARTIN

CHECKED BY: C. LATHROP

SHEET 173 OF 194