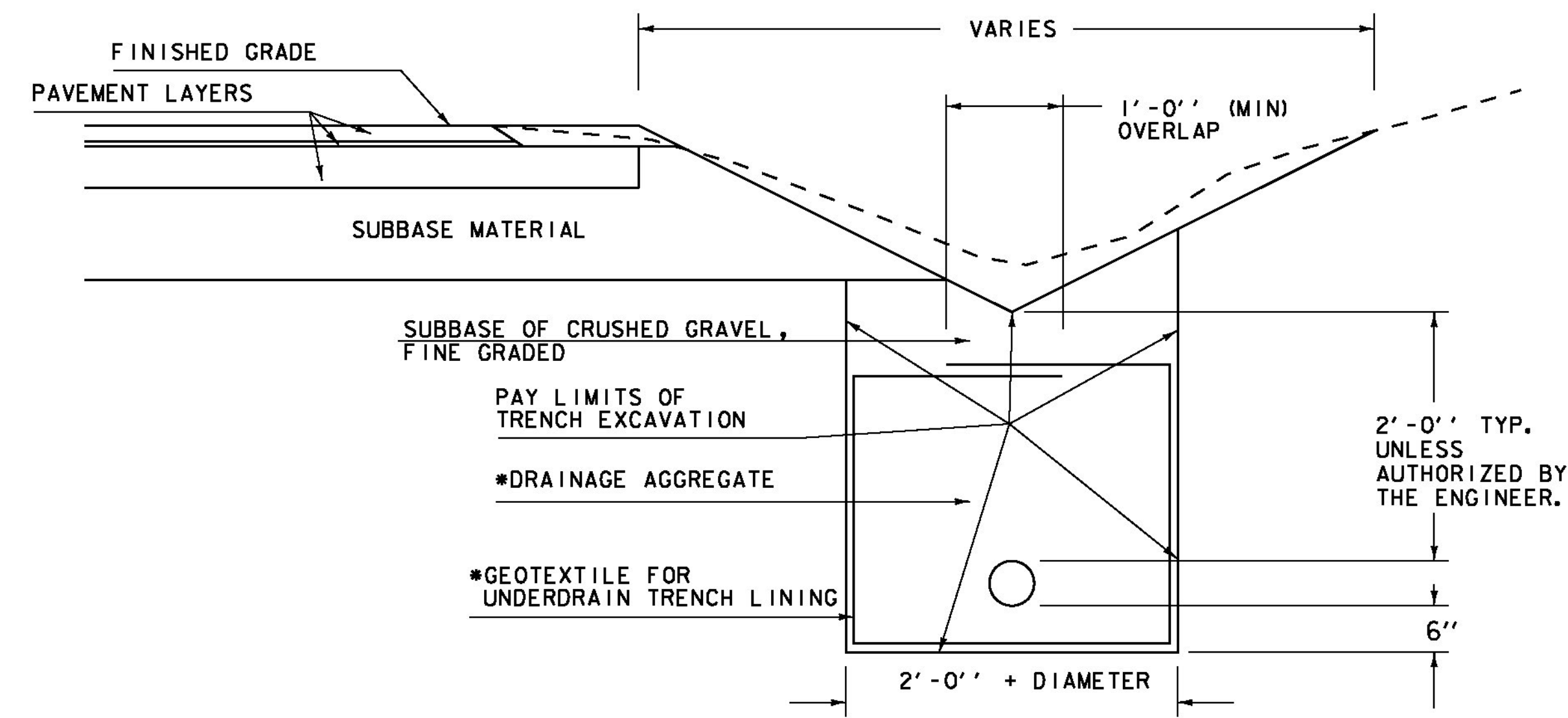


SITE	LOCATION			MISC. ITEMS					REMARKS		
	STATION	STATION	POS.	605.10 6 INCH UNDERDRAIN PIPE LF	* DRAINAGE AGGREGATE CY	* GEOTEXTILE FOR TRENCH SY	204.20 TRENCH EXC. OF EARTH CY	204.21 TRENCH EXC. OF ROCK CY		619.17 YIELDING MARKER POSTS EA	
1	197+00	200+50	LT	350.0	129.6	544.4	110.2	19.4	2	OUTLET UNDERDRAIN TO CROSS PIPE	
2	225+50	230+50	LT	500.0	185.2	777.8	157.4	27.8	2	OUTLET UNDERDRAIN TO CROSS PIPE	
3	246+75	250+50	RT	375.0	138.9	583.3	118.1	20.8	1	CONNECT UNDERDRAIN TO CATCH BASIN PAID AS ITEM 900.620 SP. PROV. (CORING CONCRETE)	
4	250+75	254+75	RT	400.0	148.1	622.2	125.9	22.2	2		
5	273+00	275+85	RT	285.0	105.6	443.3	89.7	15.8	2	OUTLET UNDERDRAIN TO CROSS PIPE	
6	276+50	277+75	RT	125.0	46.3	194.4	39.4	6.9	2		
7	283+50	286+35	RT	285.0	105.6	443.3	89.7	15.8	2	OUTLET UNDERDRAIN TO CROSS PIPE	
8	287+00	289+60	RT	260.0	96.3	404.4	81.9	14.4	2	OUTLET UNDERDRAIN TO CROSS PIPE	
9	292+00	295+25	RT	325.0	120.4	505.6	102.3	18.1	2	OUTLET UNDERDRAIN TO DRIVE PIPE	
10	299+15	301+00	RT	185.0	68.5	287.8	58.2	10.3	2	OUTLET UNDERDRAIN TO DRIVE PIPE	
11	301+65	304+50	RT	285.0	105.6	443.3	89.7	15.8	2	OUTLET UNDERDRAIN TO DRIVE PIPE	
12	304+85	307+00	RT	215.0	79.6	334.4	67.7	11.9	2	OUTLET UNDERDRAIN TO CROSS PIPE	
13	309+25	312+50	RT	325.0	120.4	505.6	102.3	18.1	2	OUTLET UNDERDRAIN TO CROSS PIPE	
14	313+15	315+50	RT	235.0	87.0	365.6	74.0	13.1	2	OUTLET UNDERDRAIN TO CROSS PIPE	
15	315+80	318+50	RT	270.0	100.0	420.0	85.0	15.0	2	OUTLET UNDERDRAIN TO CROSS PIPE	
16	330+00	332+95	RT	295.0	109.3	458.9	92.9	16.4	1	CONNECT UNDERDRAIN TO CATCH BASIN PAID AS ITEM 900.620 SP. PROV. (CORING CONCRETE)	
17	333+25	336+50	RT	325.0	120.4	505.6	102.3	18.1	2		
18	378+00	380+50	LT	250.0	92.6	388.9	78.7	13.9	2		
19	384+50	388+00	LT	350.0	129.6	544.4	110.2	19.4	2		
20	391+75	393+50	LT	175.0	64.8	272.2	55.1	9.7	2	OUTLET UNDERDRAIN OVER THE BANK	
21	394+25	397+00	LT	275.0	101.9	427.8	86.6	15.3	2		
22	397+10	400+50	LT	340.0	125.9	528.9	107.0	18.9	1	CONNECT UNDERDRAIN TO CATCH BASIN PAID AS ITEM 900.620 SP. PROV. (CORING CONCRETE)	
23	405+50	408+80	LT	330.0	122.2	513.3	103.9	18.3	2	OUTLET UNDERDRAIN TO CROSS PIPE	
24	409+25	412+50	LT	325.0	120.4	505.6	102.3	18.1	2	OUTLET UNDERDRAIN TO CROSS PIPE	
25	413+25	416+25	LT	300.0	111.1	466.7	94.4	16.7	2	OUTLET UNDERDRAIN TO DRIVE PIPE	
26	417+00	418+40	LT	140.0	51.9	217.8	44.1	7.8	2	OUTLET UNDERDRAIN TO CROSS PIPE	
27	A 1+25	A 2+50	LT	125.0	46.3	194.4	39.4	6.9	2		
28	A 4+50	A 8+00	LT	350.0	129.6	544.4	110.2	19.4	2	OUTLET UNDERDRAIN TO CROSS PIPE	
29	A 10+00	A 11+50	LT	150.0	55.6	233.3	47.2	8.3	2	OUTLET UNDERDRAIN TO CROSS PIPE	
30	A 27+50	A 33+00	LT	550.0	203.7	855.6	173.1	30.6	2		
31	A 33+50	A 35+50	LT	200.0	74.1	311.1	63.0	11.1	2	OUTLET UNDERDRAIN TO CROSS PIPE	
32	A 36+00	A 38+75	LT	275.0	101.9	427.8	86.6	15.3	1	CONNECT UNDERDRAIN TO CATCH BASIN PAID AS ITEM 900.620 SP. PROV. (CORING CONCRETE)	
33	A 44+00	A 49+15	LT	515.0	190.7	801.1	162.1	28.6	2	OUTLET UNDERDRAIN TO CROSS PIPE	
34	A 58+50	A 63+00	LT	450.0	166.7	700.0	141.7	25.0	2		
35	A 69+50	A 73+00	LT	350.0	129.6	544.4	110.2	19.4	2		
36	A 105+50	A 108+15	RT	265.0	98.1	412.2	83.4	14.7	2	OUTLET UNDERDRAIN TO DRIVE PIPE	
SUBTOTAL				10755.0	3983.5	16729.8	3385.9	597.3	68.0		
ROUNDING				145.0	-	-	14.1	2.7	-		
TOTAL				10900.0	3983.5	16729.8	3400.0	600.0	**	** SEE QUANTITY SHEETS FOR TOTAL QUANTITIES.	



DRAINAGE AGGREGATE SHALL MEET THE REQUIREMENTS OF SUBSECTION 704.16.
 * ITEMS ARE PAID AS PART OF THE UNIT PRICE BID FOR PAY ITEM 605.10 "6 INCH UNDERDRAIN PIPE"

UNDERDRAIN DETAIL

- NOTES:**
 1. GEOTEXTILE FOR UNDERDRAIN TRENCH LINING SHALL NOT BE PLACED AROUND UNDERDRAIN WHEN COVER ABOVE UNDERDRAIN IS LESS THAN 1 FOOT.
 2. THE END OF THE UNDERDRAIN PIPE AT THE BEGINNING OF ALL UNDERDRAIN RUNS SHALL BE WRAPPED IN GEOTEXTILE FABRIC. PAYMENT FOR THE WORK IS INCLUDED IN THE UNIT PRICE BID FOR ITEM 605.10 "6 INCH UNDERDRAIN PIPE".

UNDERDRAIN DETAIL SHEET	PROJECT NAME: ELMORE-MORRISTOWN	PROJECT NUMBER: STP 2937 (1)
	FILE NAME: z11c310.dgn	PLOT DATE: 3/3/14
	PROJECT LEADER: C. LATHROP	DRAWN BY: S. LAMPHERE
	DESIGNED BY: S. LAMPHERE	CHECKED BY: C. LATHROP
	PLOT FILE: z11c310.22.i	SHEET 22 OF 194