

Vermont Agency of Transportation

RECEIVED

ON: May 14, 2015

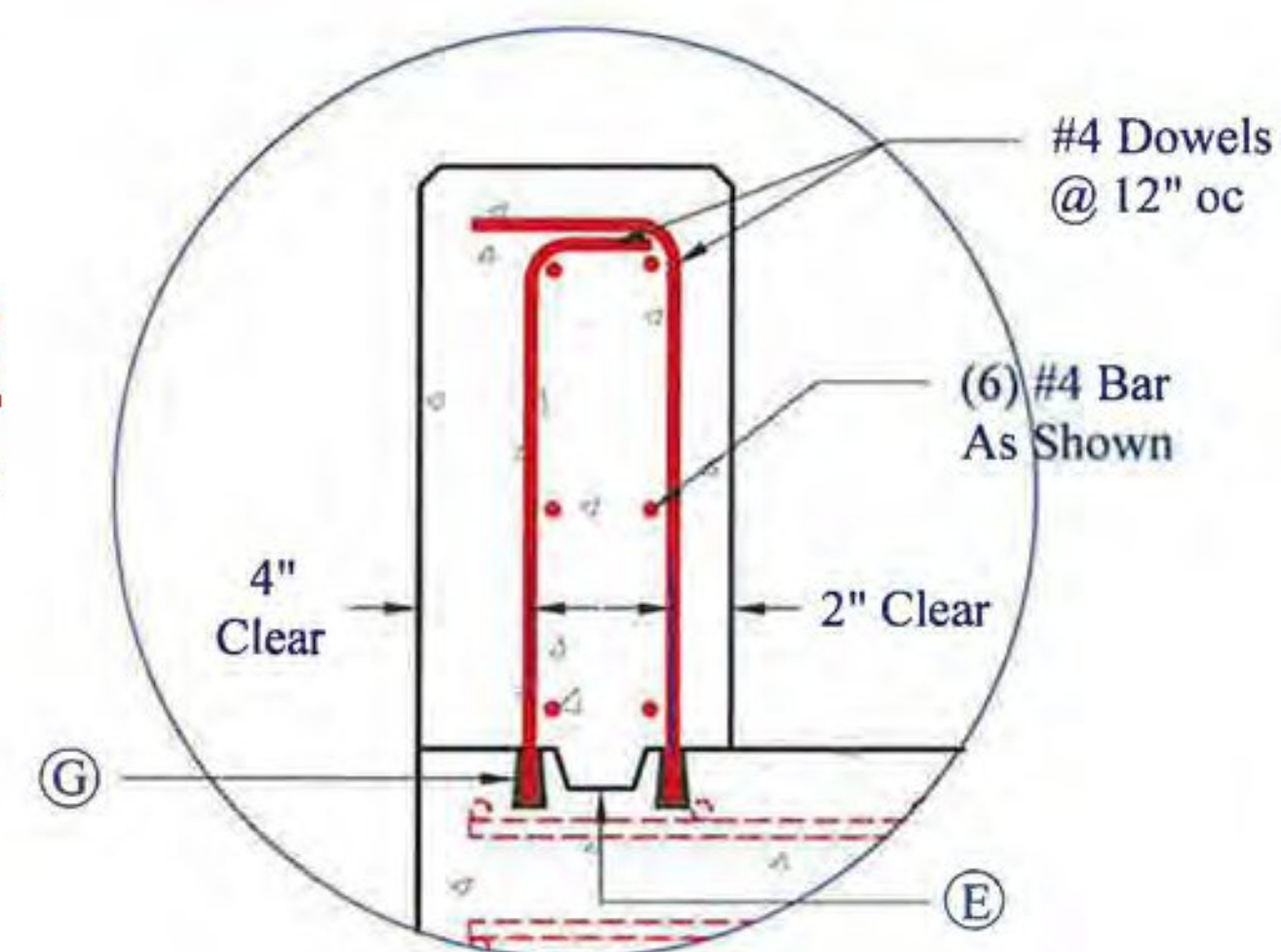
and Checked for

CONFORMANCE

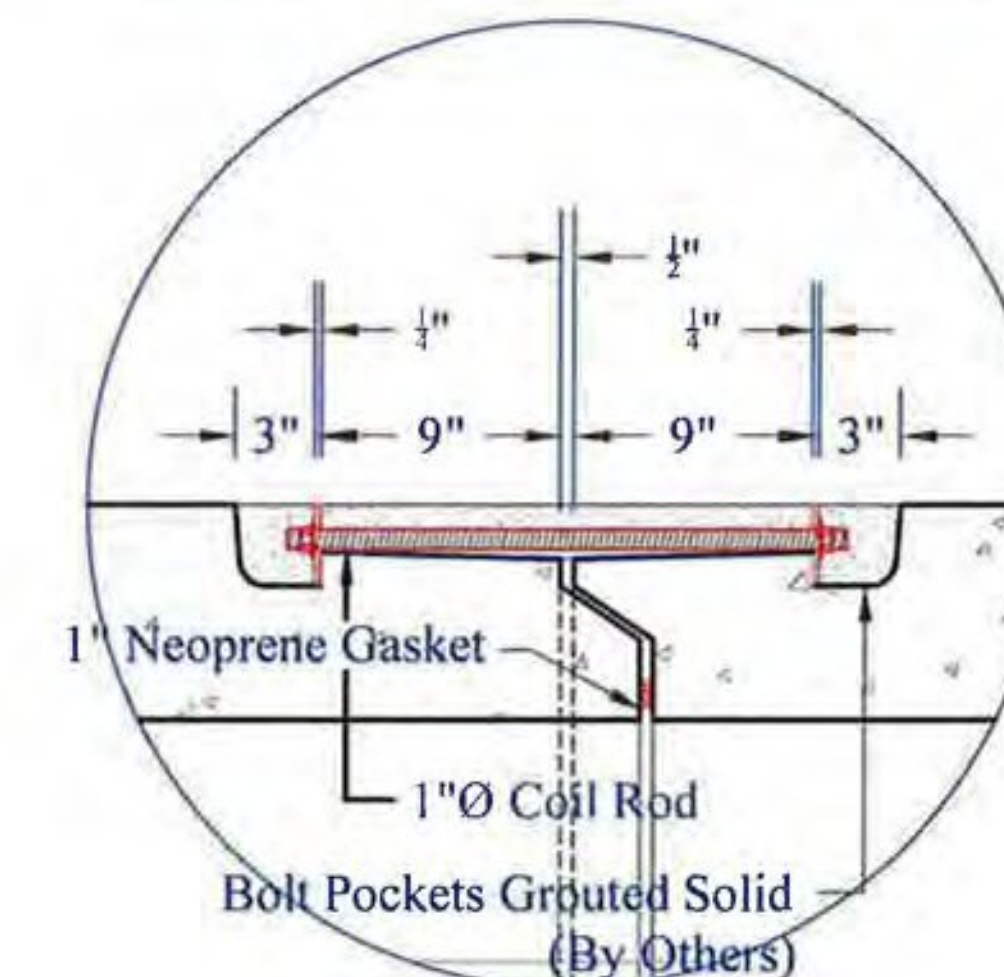
BY: Mark Sargent DATE: 5/20/2015

| HW - Rebar Schedule | | | | | | |
|---------------------|------|-------------|--------|------|----|-----|
| Mark | Size | Max Spacing | Length | Type | A | B |
| As1 | #4 | 12" | 14" | Bent | 5" | 9" |
| As2 | #4 | 12" | 17" | Bent | 8" | 9" |
| As3 | #4 | 12" | 17" | Bent | 5" | 12" |
| As4 | #4 | 12" | 20" | Bent | 8" | 12" |

HW to BC Connection Detail

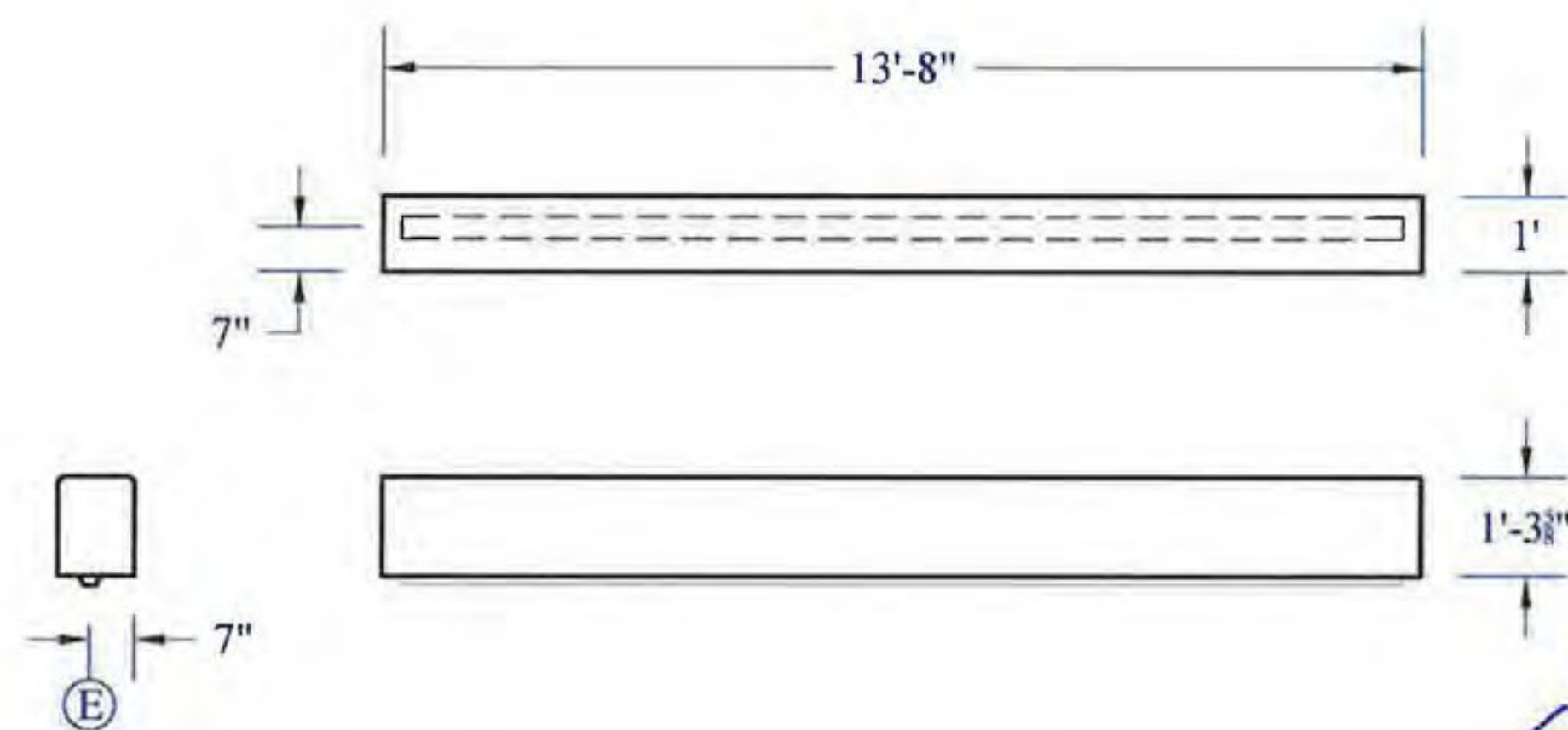


Bolt Pocket Connection Detail - (C)

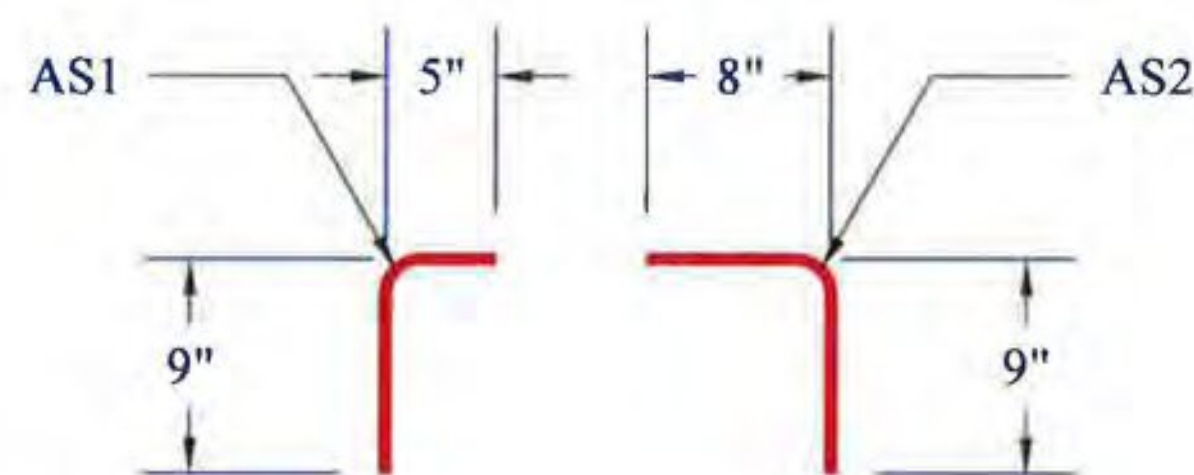


Headwall 2 Detail
(See Reinforcing Details on Sheet 7)

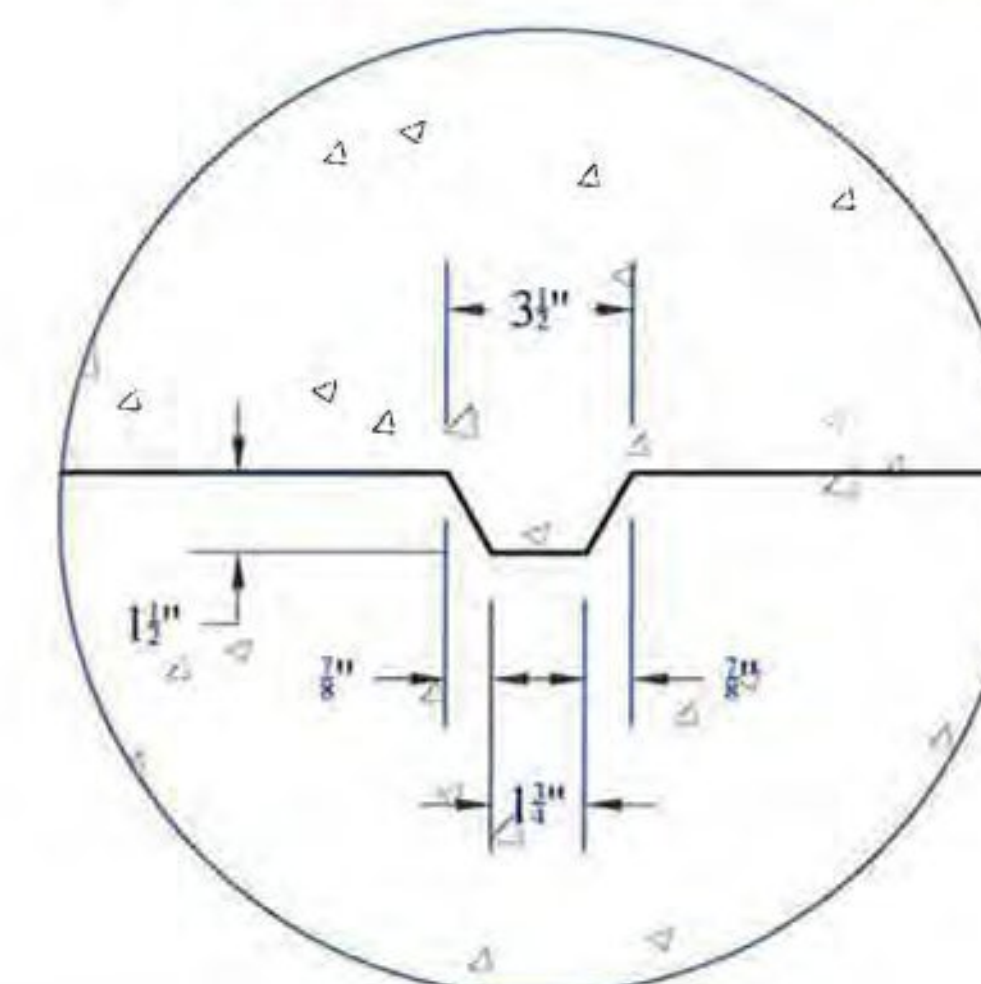
Note: - Secondary Pour
- Not Battered



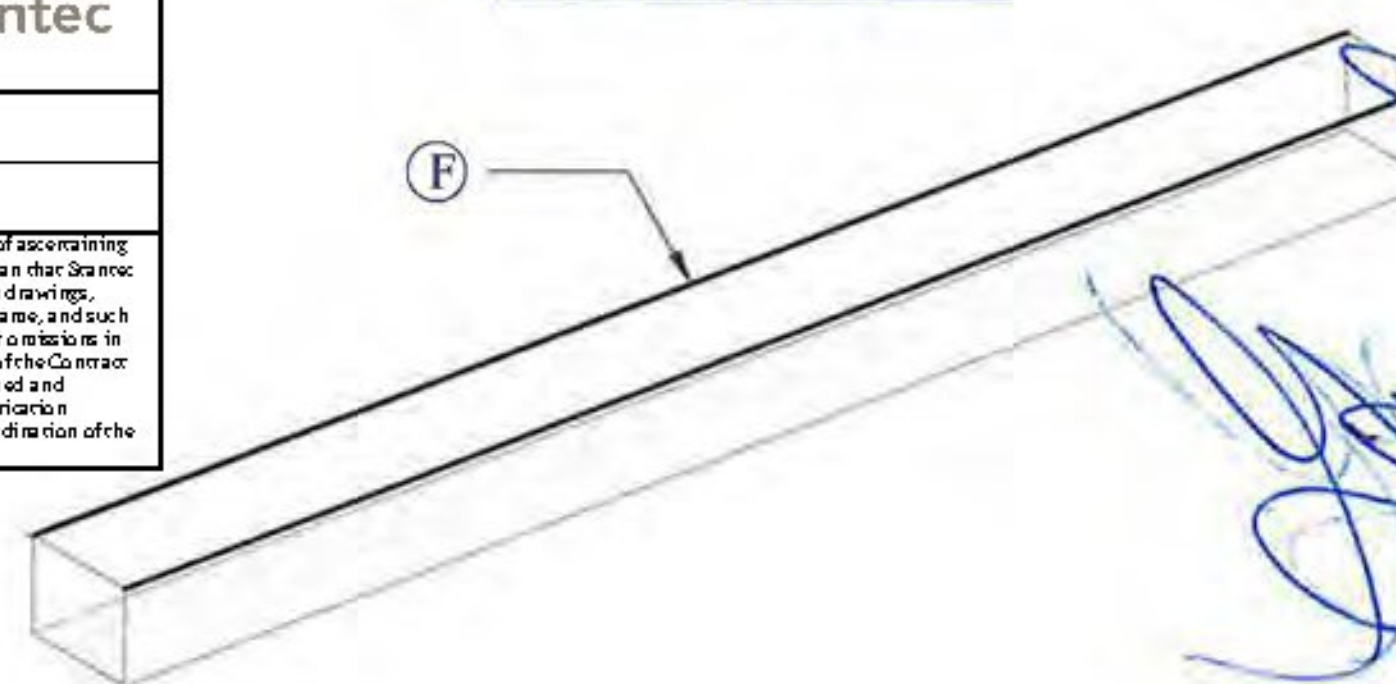
HW-1 Reinforcement Detail



Keyway Connection Detail - (E)



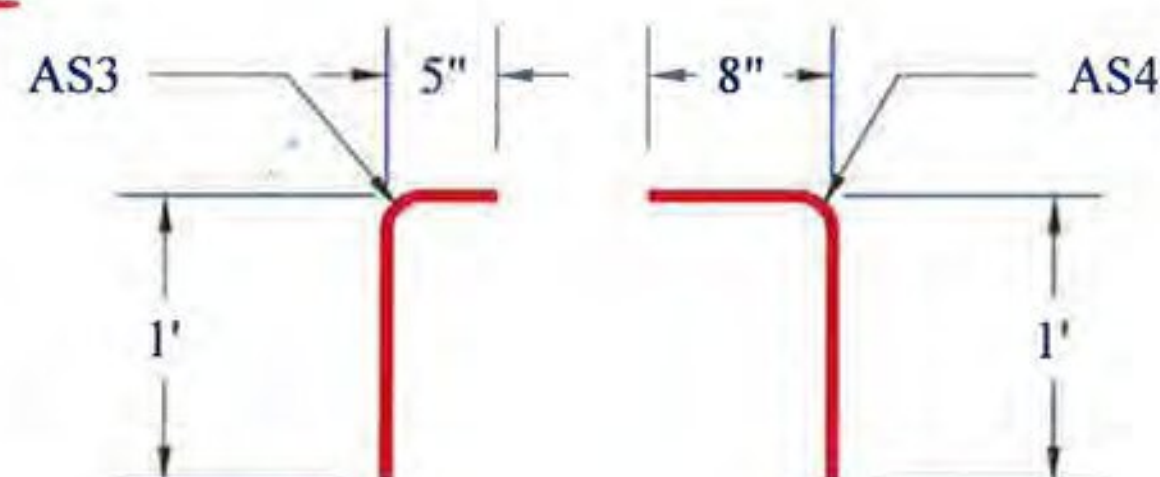
Headwall 2 Detail



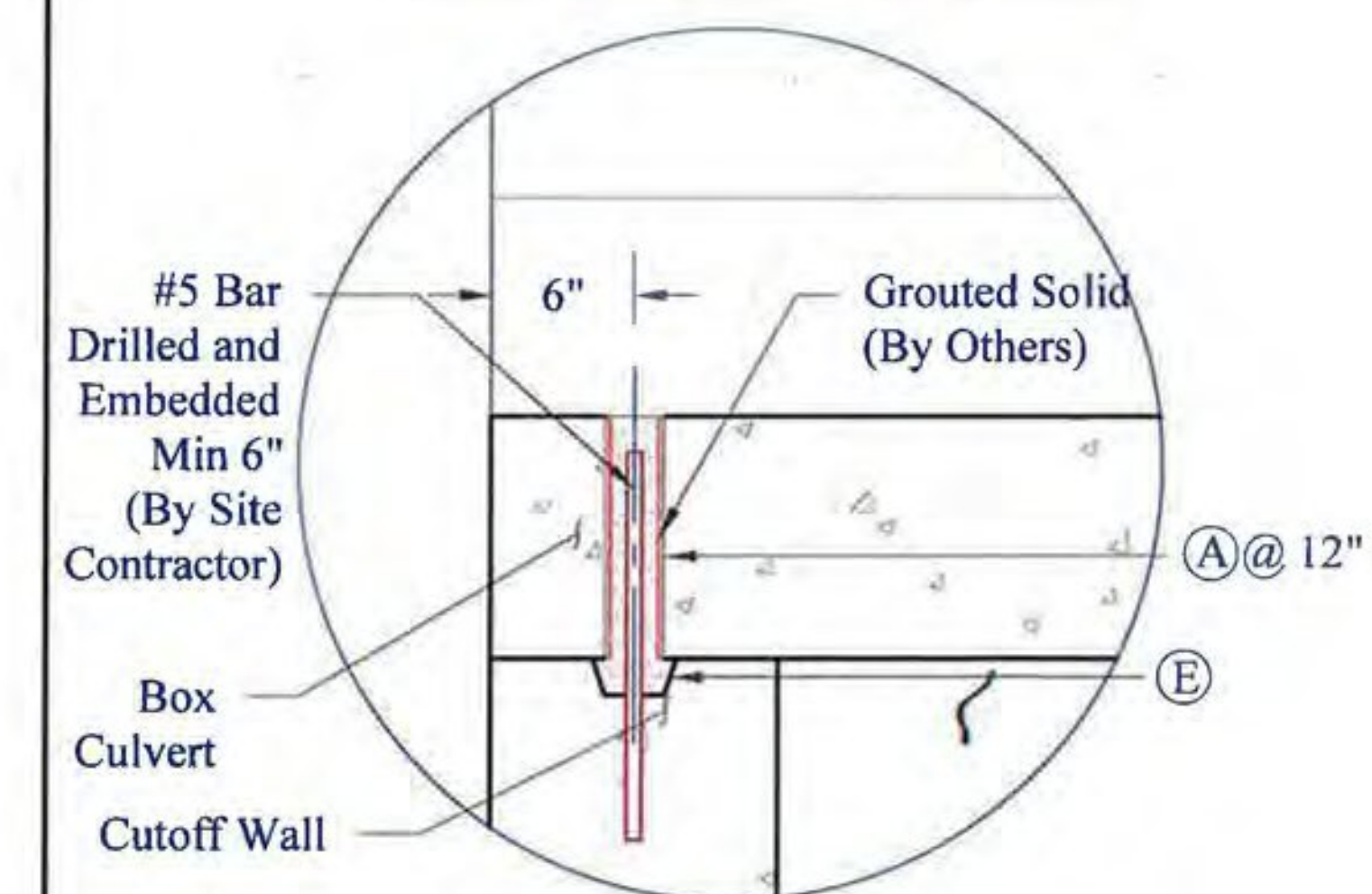
STRUCTURAL DESIGN ONLY



HW-2 Reinforcement Detail



CW to BC Connection Detail



| | |
|--|---|
| REVIEWED | X |
| REVIEWED AS MODIFIED | |
| REVISED AND RESUBMITTED | |
| NOT REVIEWED | |
| Date: 02/12/15 | |
| By: Michael J. Chenevise | |
| <p>This review by Stantec Consulting Services, Inc. is for the sole purpose of ascertaining conformance with the general design concept. This review shall not mean that Stantec Consulting Services, Inc. approves the design or is liable for the design or construction. Responsibility for which shall remain with the Contractor. Subsequent to this review, the Contractor shall not relieve the Contractor of this responsibility for errors or omissions in the shop drawings or of his responsibility for meeting all requirements of the Contract Documents. The contractor is responsible for dimensions to be confirmed and called out on the job site. For information that pertains solely to the fabricator's processes or to each stage of construction, refer to the fabricator and for coordination of the work of all trades.</p> | |



| CONTRACTORS VISPE: | Rev. | Date | By | Description | PRECAST CONCRETE BOX CULVERT SHOP DRAWINGS (SDI JOB #15428) | Peckham Road Corp. | FABRICATOR: |
|--|------|----------|-----|------------------------|---|-----------------------|---------------------|
| (A) 3"Ø PVC Sleeve | 1 | 05/06/15 | IBA | Changes per Redesign | SUPERVISOR: E. Barendse | 1557 St. Rt. 9, #3 | 193 INDUSTRIAL AVE. |
| (B) 4"Ø PVC Sleeve | 2 | 05/11/15 | IBA | Inlet/Outlet BC Change | DETAILER: I. ADAMS | Lake George, NY 12845 | WILLISTON, VT 05495 |
| (C) Mechanical Bolt Pocket (w/ 1"Ø Coil Rod) | | | | | CHECKER: E. Barendse | Ph: (518) 747-3353 | Ph: (802) 658-0201 |
| (D) Oxford A750-7 Lifting Device | | | | | ENGINEER: G. K. Munkelt | | |
| (E) 1 1/2" x 3 1/2" Continuous Keyway | | | | | | | |
| (F) Solid Lines Indicate 3/8" Chamfer | | | | | | | |
| (G) 1/2" FX-S Ferrule Loop Insert | | | | | | | |
| | | | | | | 04/20/15 | CONNECTION_DETAILS |
| | | | | | | | 6_OF_6 |

