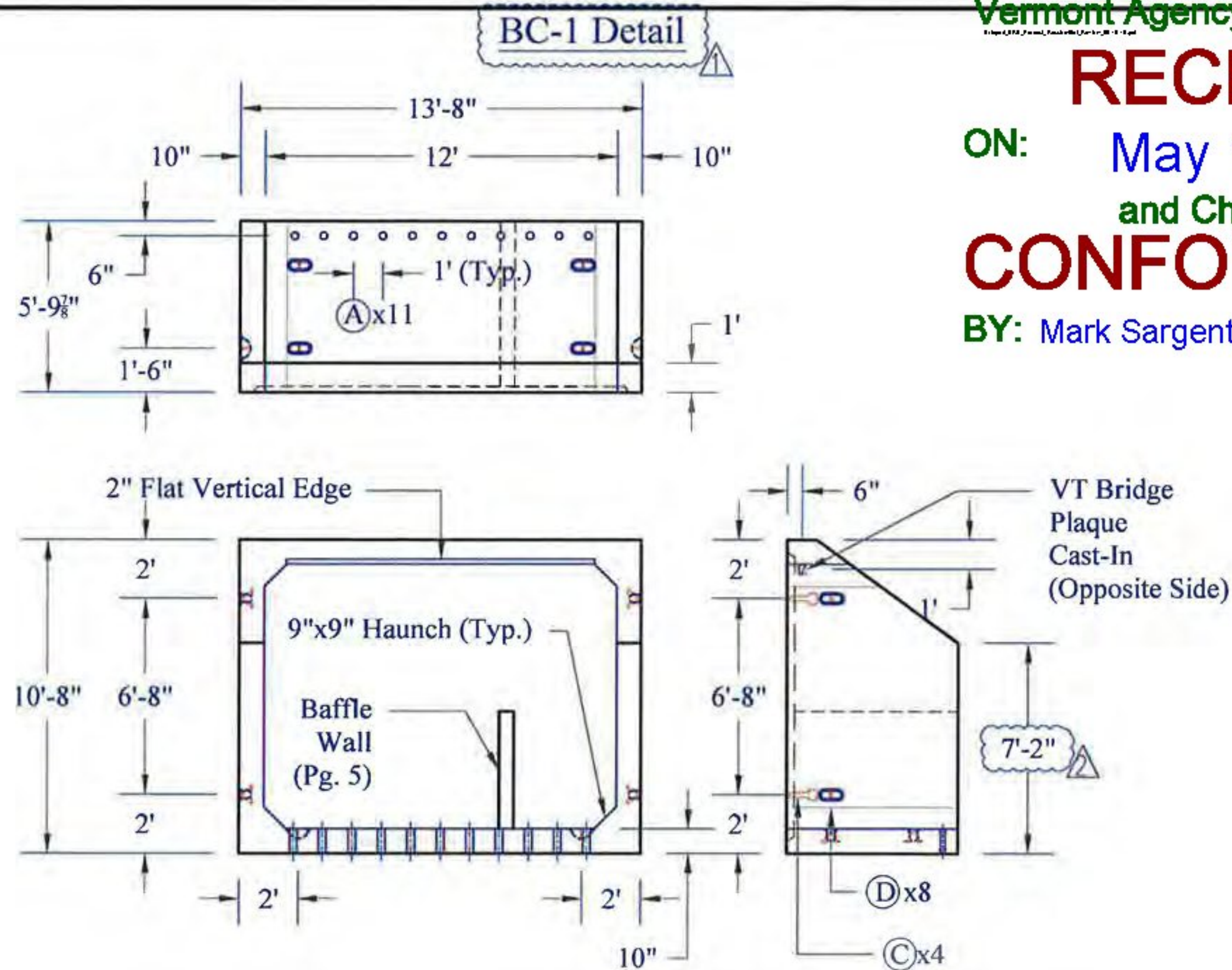
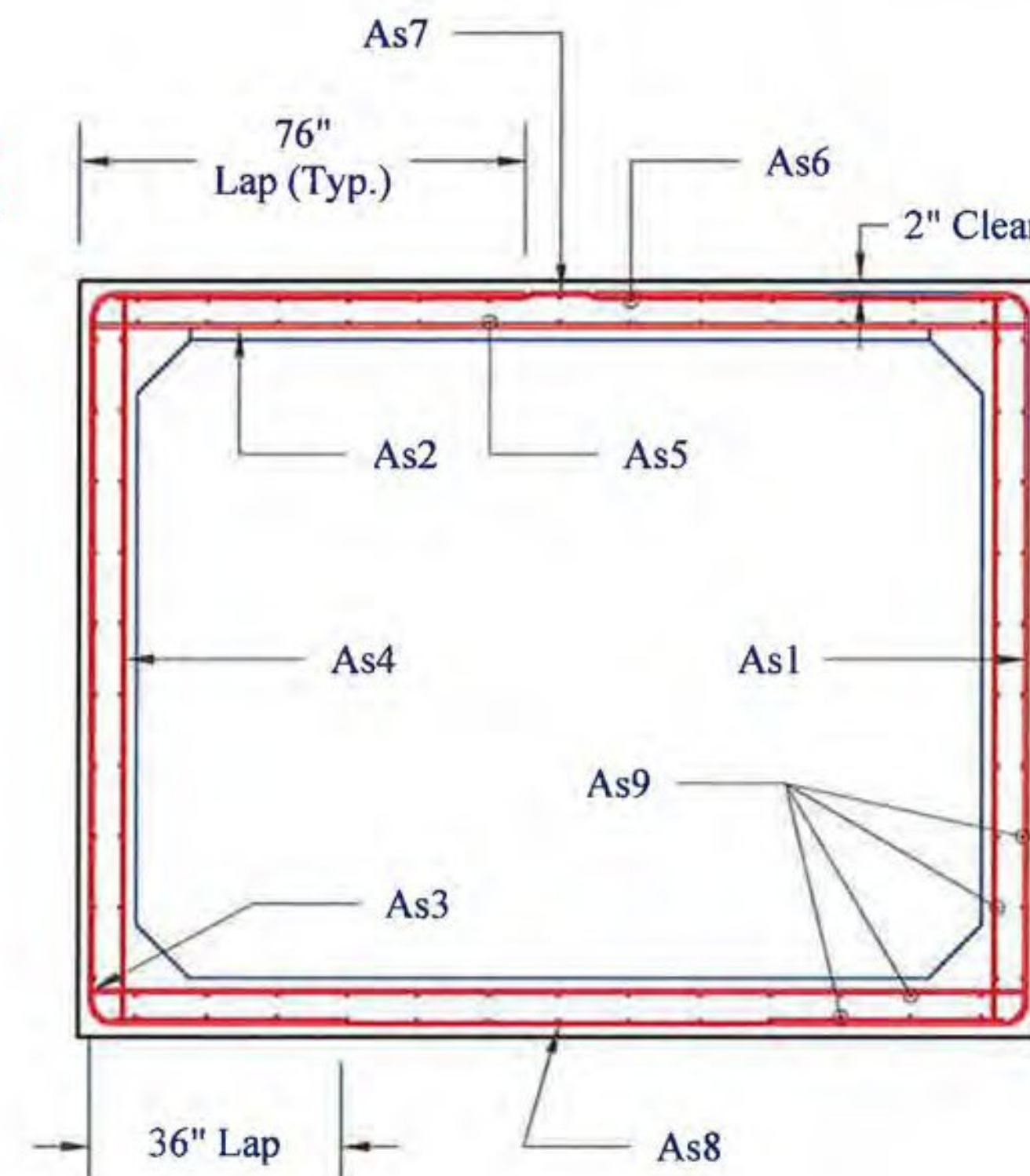


Vermont Agency of Transportation

**RECEIVED**  
**ON: May 14, 2015**  
**and Checked for CONFORMANCE**  
**BY: Mark Sargent DATE: 5/20/2015**



End Box Section Reinforcement Detail

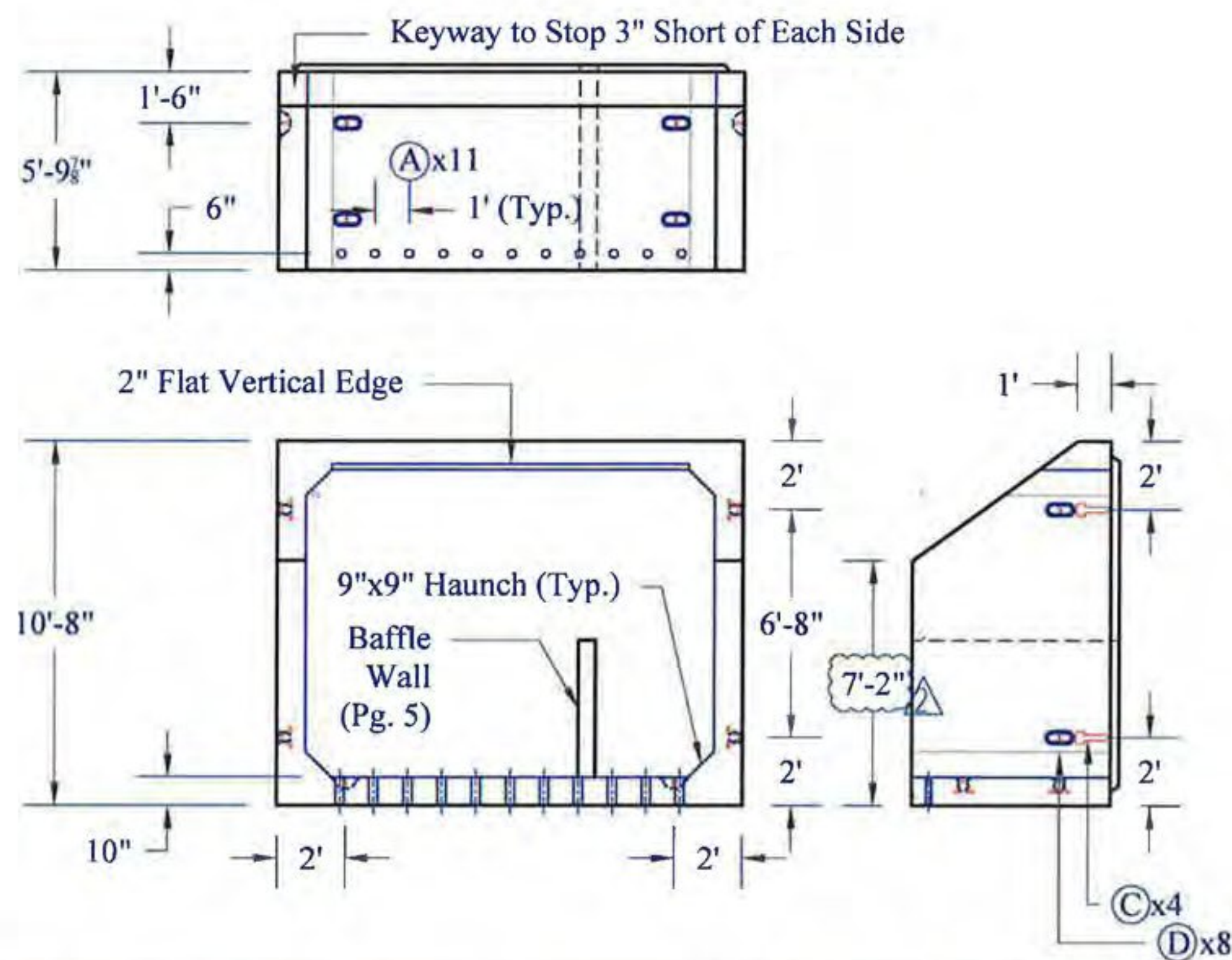


Rebar Schedule							
Mark	Size	Max Spacing	Length	Type	A	B	
As1	#5	6"	Varies	Bent	36"	Vrs	76"
As2	#5	5"	160"	Str	160"		
As3	#5	6"	160"	Str	160"		
As4	#4	9"	Varies	Str	Vrs		
As5	#5	10"	Varies	Str	Vrs		
As6	#4	9"	Varies	Str	Vrs		
As7	#4	9"	160"	Str	160"		
As8	#4	9"	160"	Str	160"		
As9	#4	12"	Varies	Str	Vrs		

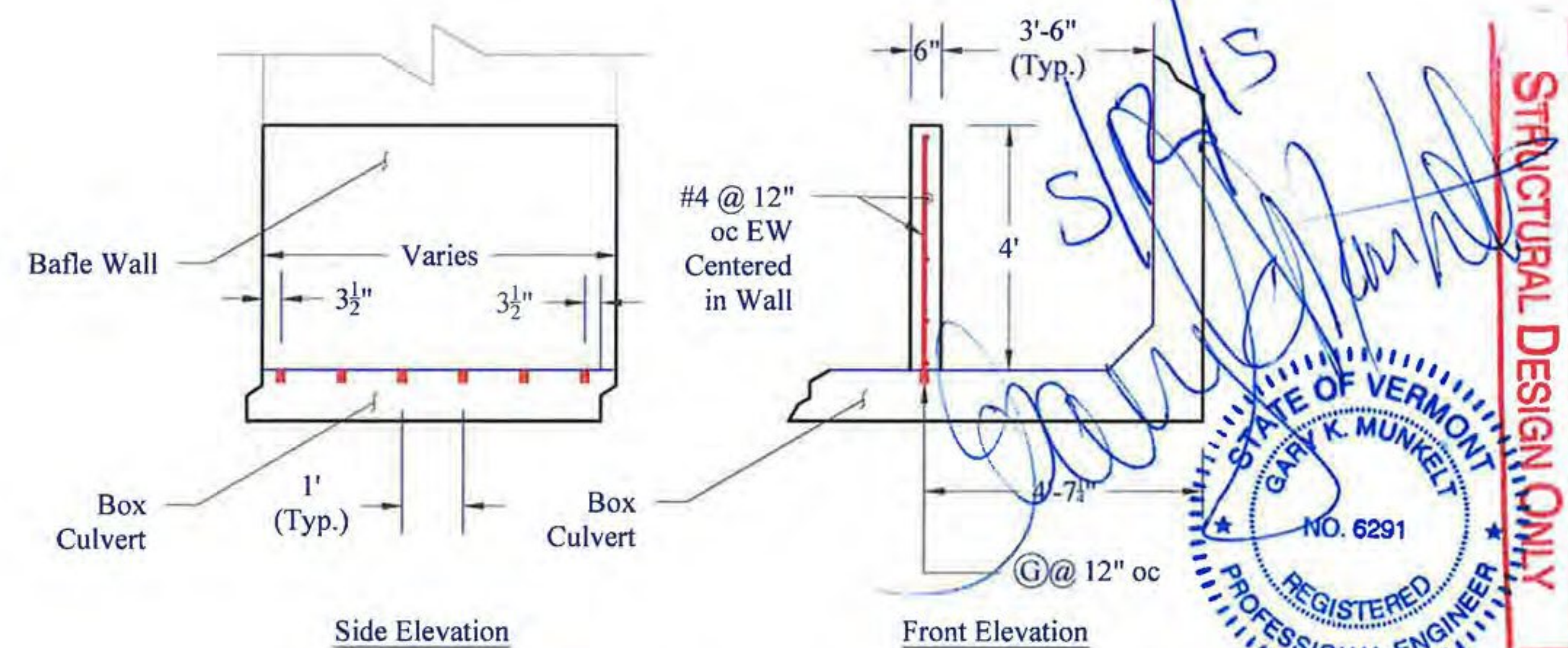
Notes: 2" Clear Typical Unless Noted Otherwise

REVIEWED	X	
REVIEWED AS MODIFIED		
REVISE AND RESUBMIT		
NOT REVIEWED		
Date: 5/15/15		
By: Michael J. Chenette		
<small>This review by Stantec Consulting Services Inc. is for the sole purpose of ascertaining conformance with the general design concept. This review shall not mean that Stantec Consulting Services Inc. approves the detail design inherent in the shop drawings, responsibility for which shall remain with the Contractor. Substituting same, and such review shall not relieve the Contractor of his responsibility for meeting all requirements of the Contract Documents. The contractor is responsible for dimensions to be confirmed and correlated at the job site, for information that pertains solely to the fabrication processes or to techniques of construction and installation and for coordination of the work of all subtrades.</small>		

BC-3 Detail



Baffle Wall Detail



*SD*

**STRUCTURAL DESIGN ONLY**

STATE OF VERMONT  
 GARY K. MUNKELT  
 NO. 6291  
 REGISTERED PROFESSIONAL ENGINEER

CONTRACTORS VISPE:	Rev.	Date	By	Description
(A) 3"Ø PVC Sleeve	1	05/06/15	IBA	Changes per Redesign
(B) 4"Ø PVC Sleeve	2	05/11/15	IBA	Inlet/Outlet BC Change
(C) Mechanical Bolt Pocket (w/ 1"Ø Coil Rod)				
(D) Oxford A750-7 Lifting Device				
(E) 1 1/2" x 3 1/2" Continuous Keyway				
(F) Solid Lines Indicate 3/4" Chamfer				
(G) 1/2" EX-5 Ferrule Loop Insert				

PRECAST CONCRETE BOX CULVERT SHOP DRAWINGS (SDI JOB #15428)		Peckham Road Corp. 1557 St. Rt. 9, #3 Lake George, NY 12845 Ph: (518) 747-3353	FABRICATOR: 193 INDUSTRIAL AVE. WILLISTON, VT 05495 Ph: (802) 658-0201
SUPERVISOR: E. Barendse DETAILER: I. ADAMS CHECKER: E. Barendse ENGINEER: G. K. Munkelt	PROJECT NAME: Bridport PROJECT #: CULV(29) Br.#5 LOCATION: Bridport, VT	04/20/15	WING_WALLS_1
			4_OF_6