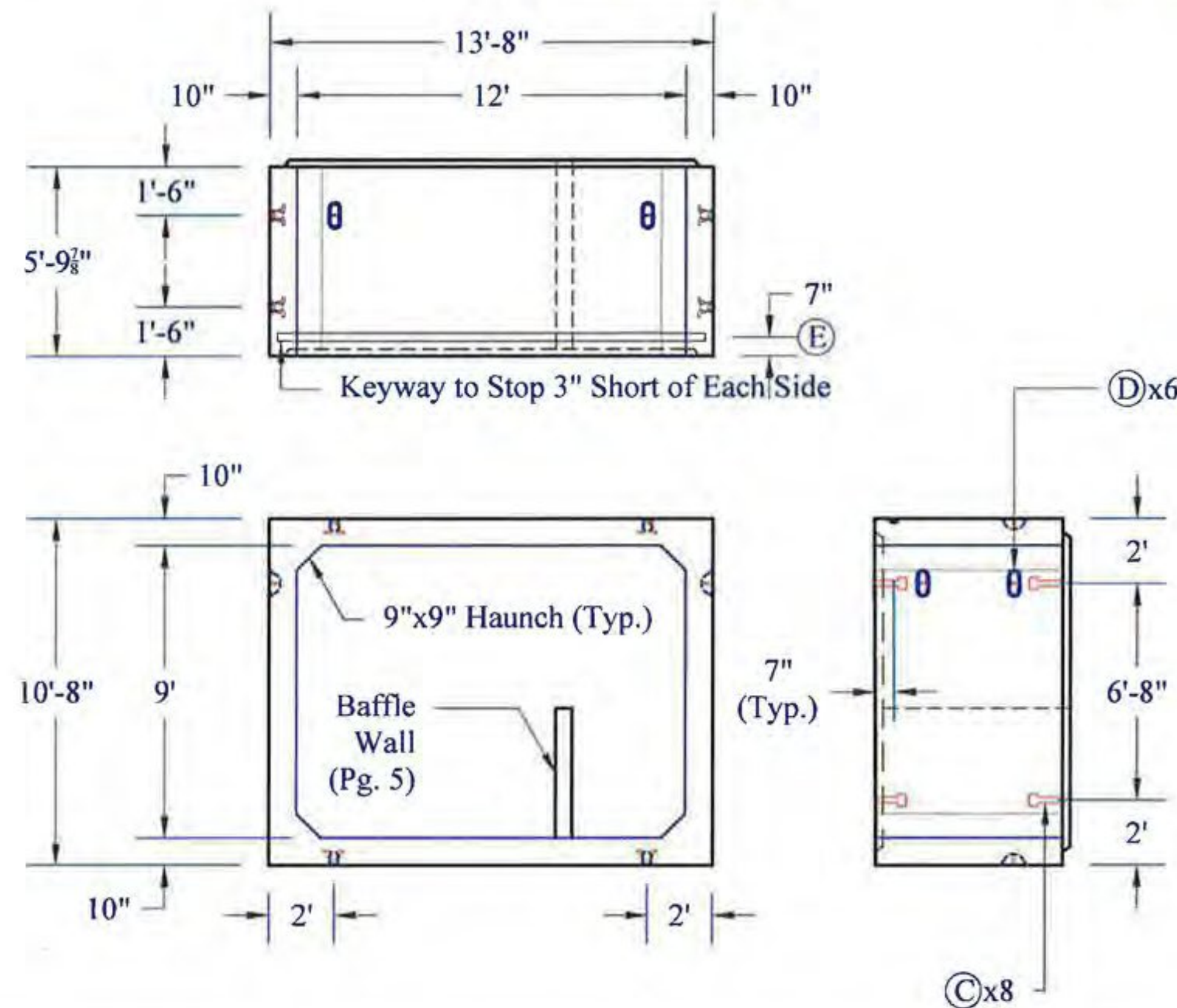


BC-2A Detail

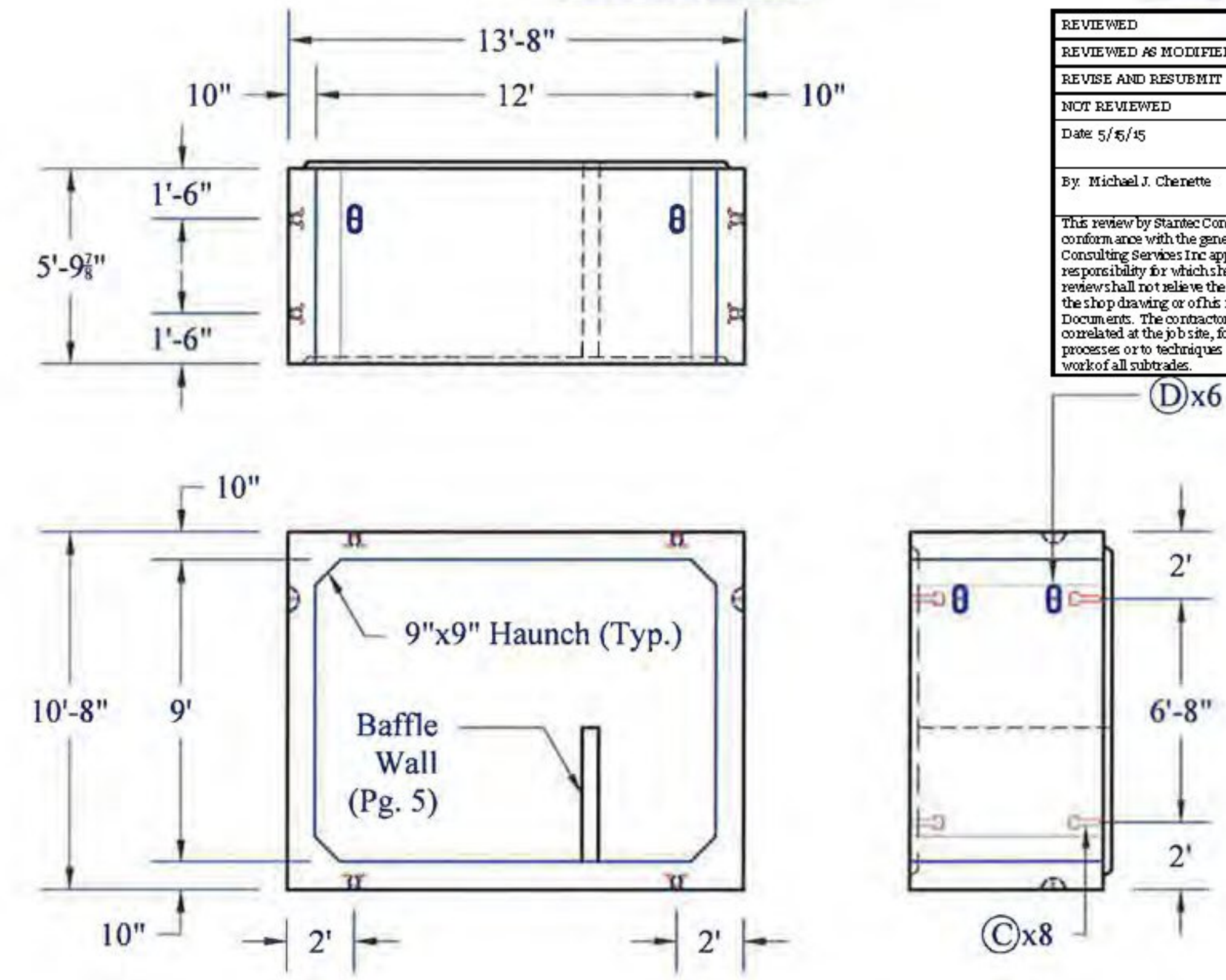
Note: See Sh. 8 for Additional Details



Vermont Agency of Transportation
RECEIVED
 ON: May 14, 2015
 and Checked for
CONFORMANCE
 BY: Mark Sargent DATE: 5/20/2015

BC-2B Detail

Note: See Sh. 8 for Additional Details

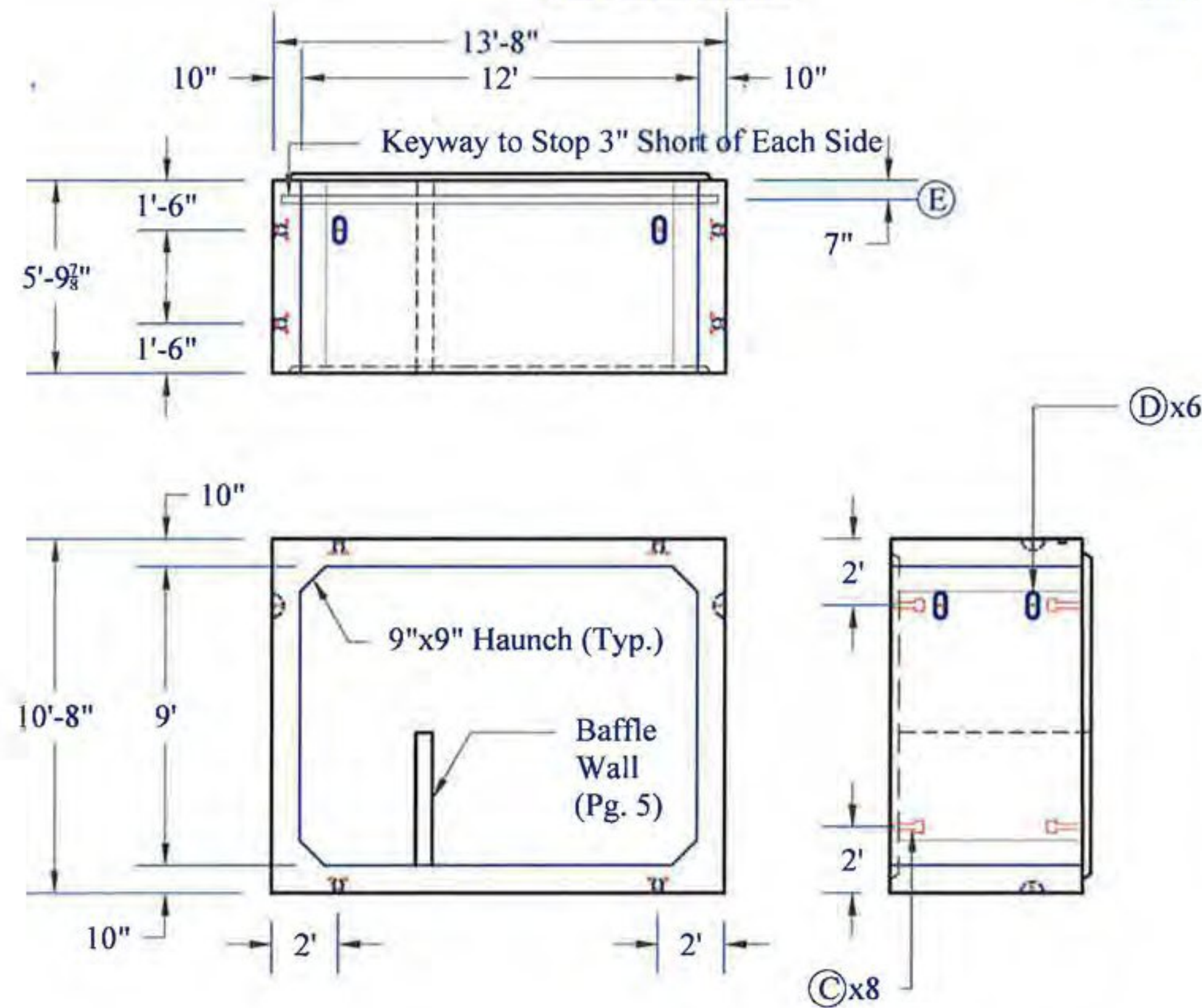


REVIEWED	X
REVIEWED AS MODIFIED	
REVISE AND RESUBMIT	
NOT REVIEWED	
Date: 5/6/15	
By: Michael J. Chenette	

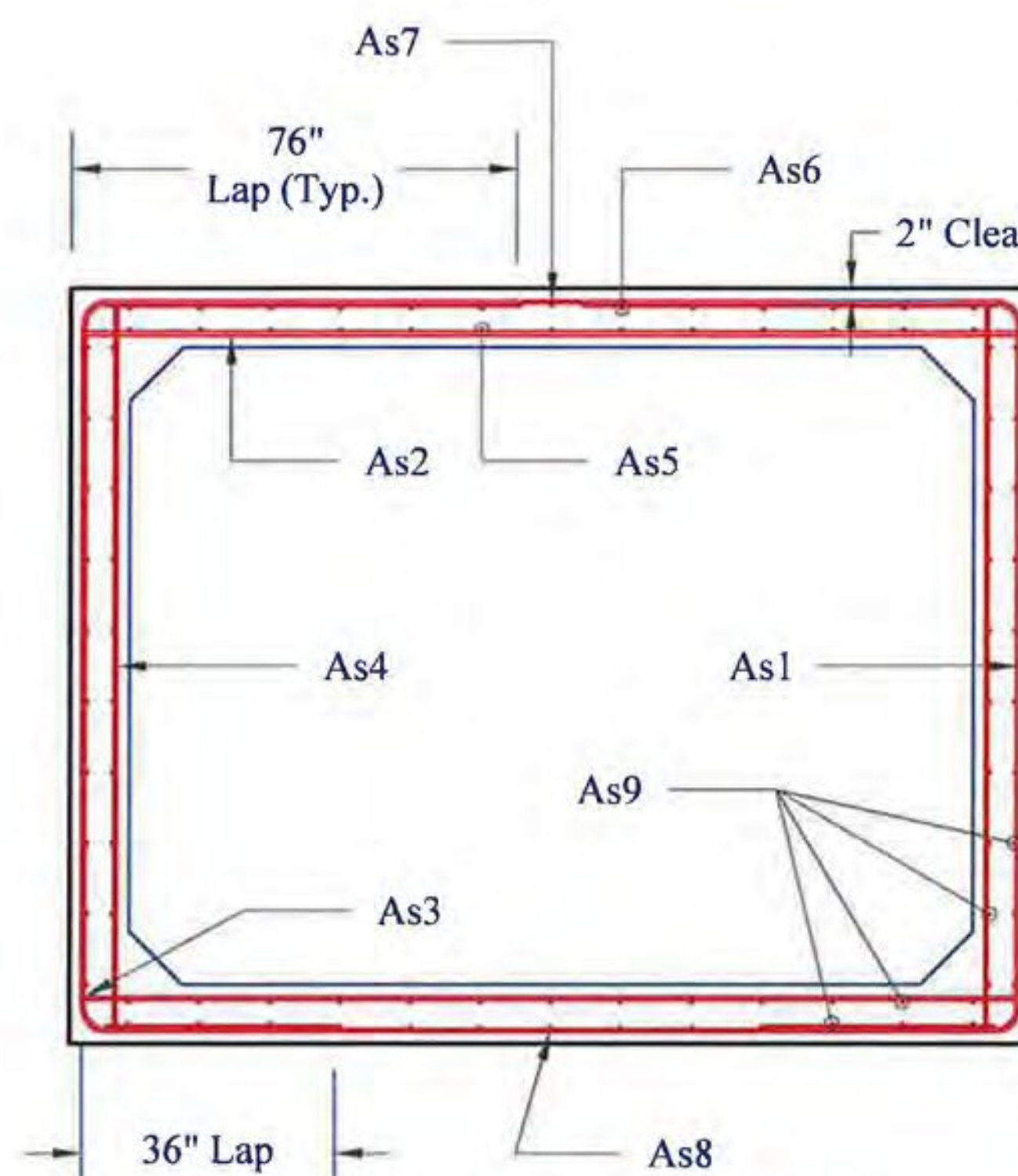
This review by Stantec Consulting Services Inc. is for the sole purpose of ascertaining conformance with the general design concept. The review shall not mean that Stantec Consulting Services Inc. approves the detail design inherent in the shop drawings, responsibility for which shall remain with the Contractor. Submitting same, and such review shall not relieve the Contractor of the responsibility for errors or omissions in the shop drawing or of its responsibility for meeting all requirements of the Contract Documents. The contractor is responsible for dimensions to be confirmed and evaluated at the job site, for information that pertains solely to the fabrication, processing or to techniques of construction and installation and for coordination of the work of all subtrades.

BC-2C Detail

Note: See Sh. 8 for Additional Details



Box Section Reinforcement Detail



Mark	Size	Max Spacing	Length	Type	A	B
As1	#5	6"	236"	Bent	36"	124"
As2	#5	5"	160"	Str	160"	
As3	#5	6"	160"	Str	160"	
As4	#4	9"	124"	Str	124"	
As5	#5	10"	65"	Str	65"	
As6	#4	9"	65"	Str	65"	
As7	#4	9"	160"	Str	160"	
As8	#4	9"	160"	Str	160"	
As9	#4	12"	65"	Str	65"	

Notes: 2" Clear Typical Unless Noted Otherwise
STRUCTURAL DESIGN ONLY



CONTRACTORS VISPE:	(A) 3"Ø PVC Sleeve	(D) Oxford A750-7 Lifting Device	(G) 1" FX-5 Ferrule Loop Insert	Rev. 1	Date 05/06/15	By IBA	Description Changes per Redesign
	(B) 4"Ø PVC Sleeve	(E) 1 1/2" x 3 1/2" Continuous Keyway	(H) Solid Lines Indicate 1/4" Chamfer	2	05/11/15	IBA	Inlet/Outlet BC Change

PRECAST CONCRETE BOX CULVERT SHOP DRAWINGS (SDI JOB #15428)		Peckham Road Corp. 1557 St. Rt. 9, #3 Lake George, NY 12845 Ph: (518) 747-3353	FABRICATOR: 193 INDUSTRIAL AVE. WILLISTON, VT 05495 Ph: (802) 658-0201
SUPERVISOR: E. Barendse	PROJECT NAME: Bridport	04/20/15	BOX_SECTIONS_1
DETAILER: I. ADAMS	PROJECT #: CULV(29) Br.#5		3_OF_6
CHECKER: E. Barendse	LOCATION: Bridport, VT		
ENGINEER: G. K. Munkelt			