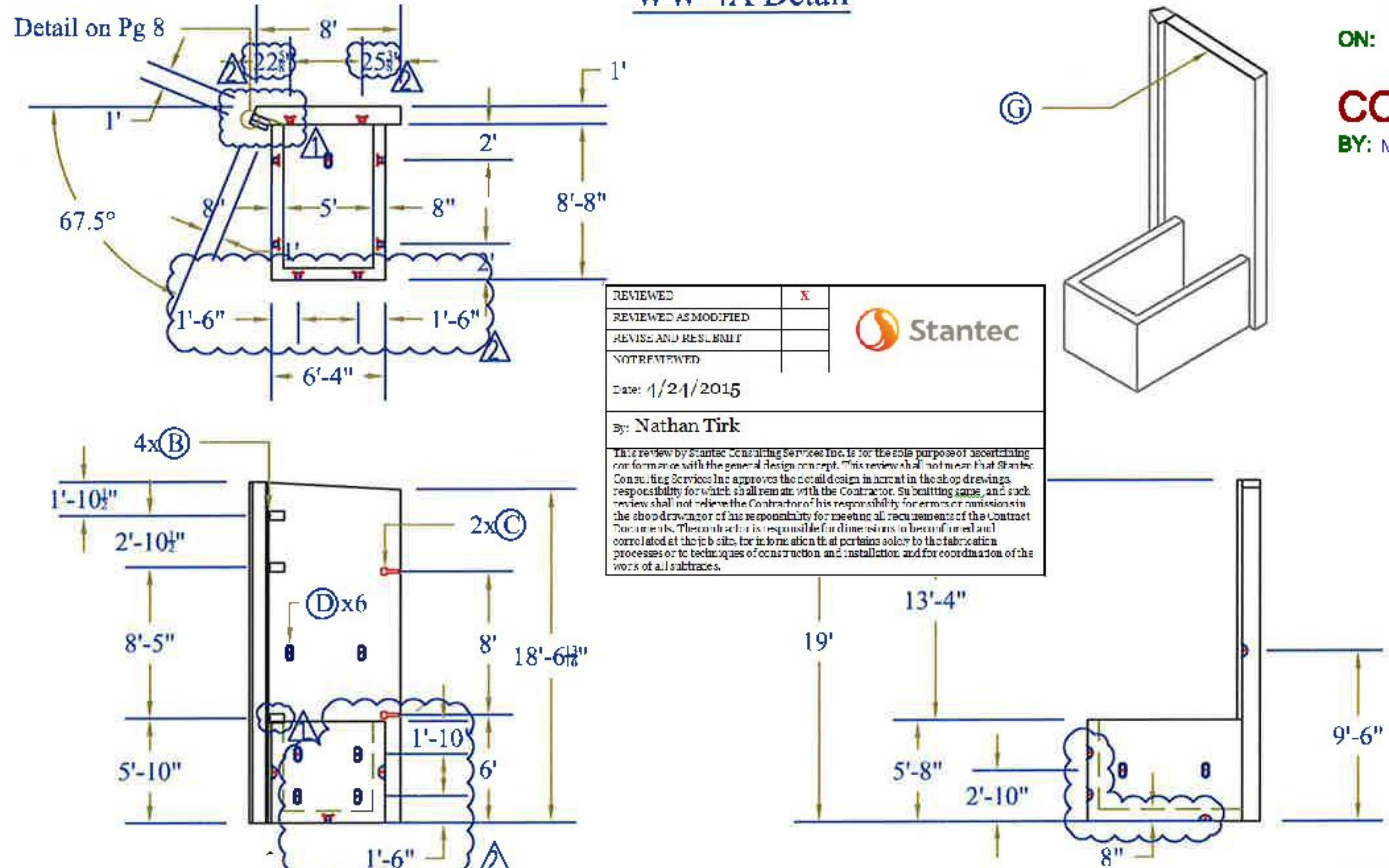
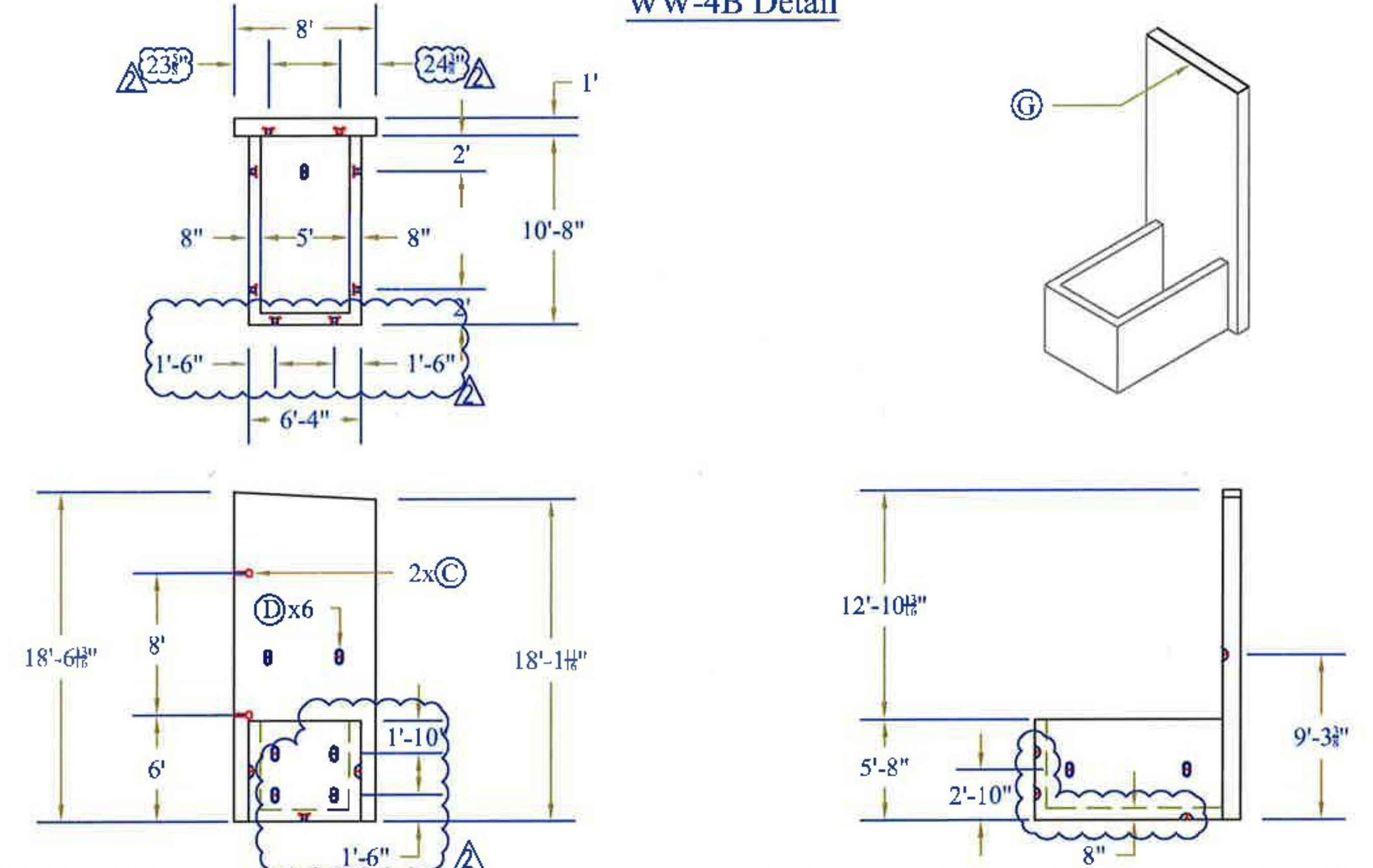


RECEIVED
 ON: April 28, 2015
 and Checked for
CONFORMANCE
 BY: Mark Sargent DATE: 04/29/2015

WW-4A Detail

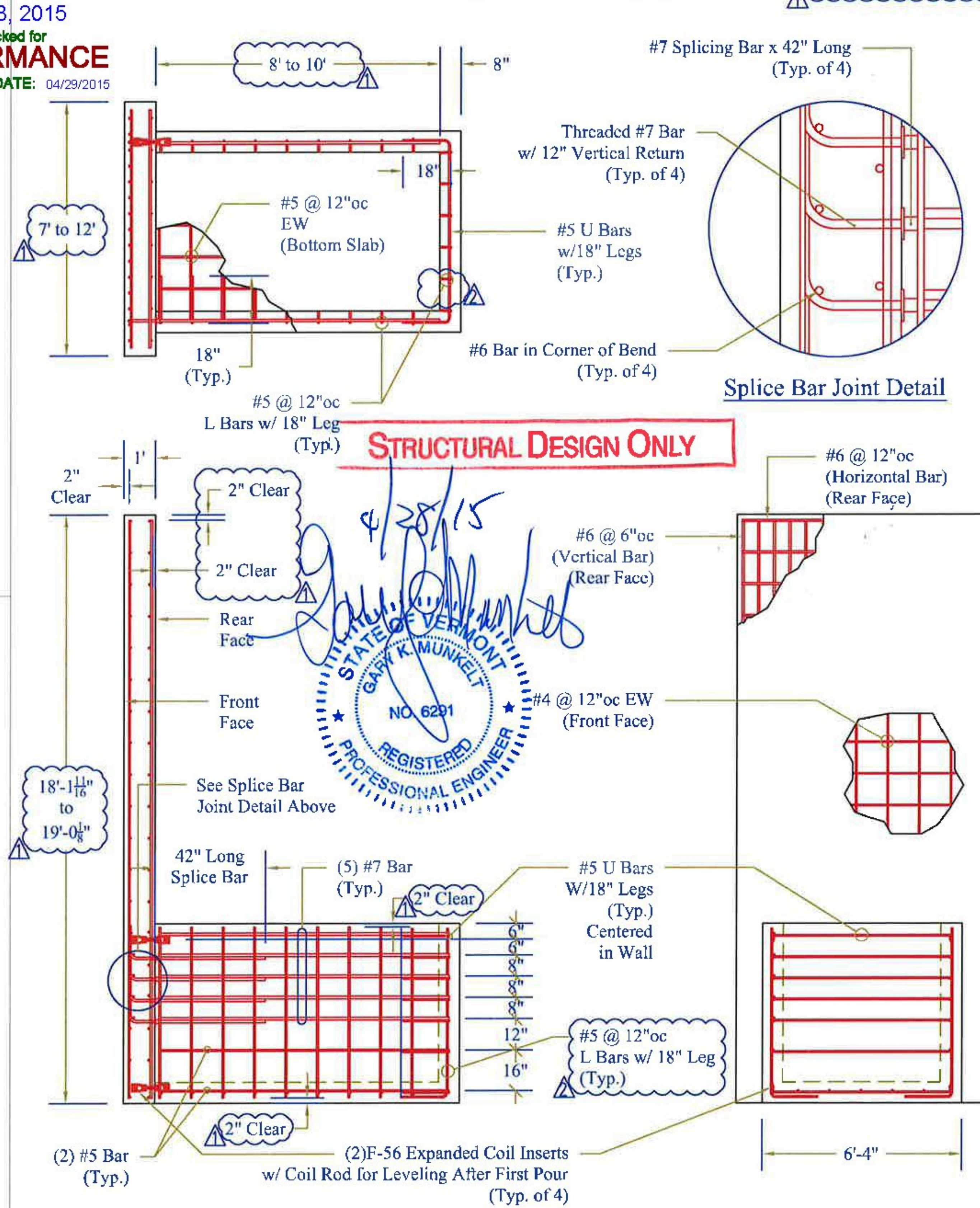


WW-4B Detail



WW-Reinforcing Detail

Notes: Bar Tied at Every Intersection



CONTRACTORS VISPE:	Rev.	Date	By	Description
(A) 3"Ø PVC Sleeve (B) 4"Ø PVC Sleeve (C) Mechanical Bull Pocket (w/ 1"Ø Coil Rod)	1	03/25/15	IBA	Changes per Stantec & State Review
(D) Oxford A750-7 Lifting Device (E) 1"Øx5 1/2" F56 Coil Loop Insert (F) 1 1/2" x 3 1/2" Continuous Keyway	2	04/23/15	IBA	Changes for Production Purposes

PRECAST CONCRETE BOX CULVERT SHOP DRAWINGS (SDI JOB #15428)	Peckham Road Corp. 1557 St. Rt. 9, #3 Lake George, NY 12845 Ph: (518) 747-3353	FABRICATOR: 193 INDUSTRIAL AVE. WILLISTON, VT 05495 Ph: (802) 658-0201
SUPERVISOR: E. Barendse DETAILER: I. ADAMS CHECKER: E. Barendse ENGINEER: G. K. Munkelt	PROJECT NAME: Bridport PROJECT #: CULV(29) Br.#2 LOCATION: Bridport, VT	SD Ireland PRECAST
02/12/15	WING_WALLS_2	6_OF_8