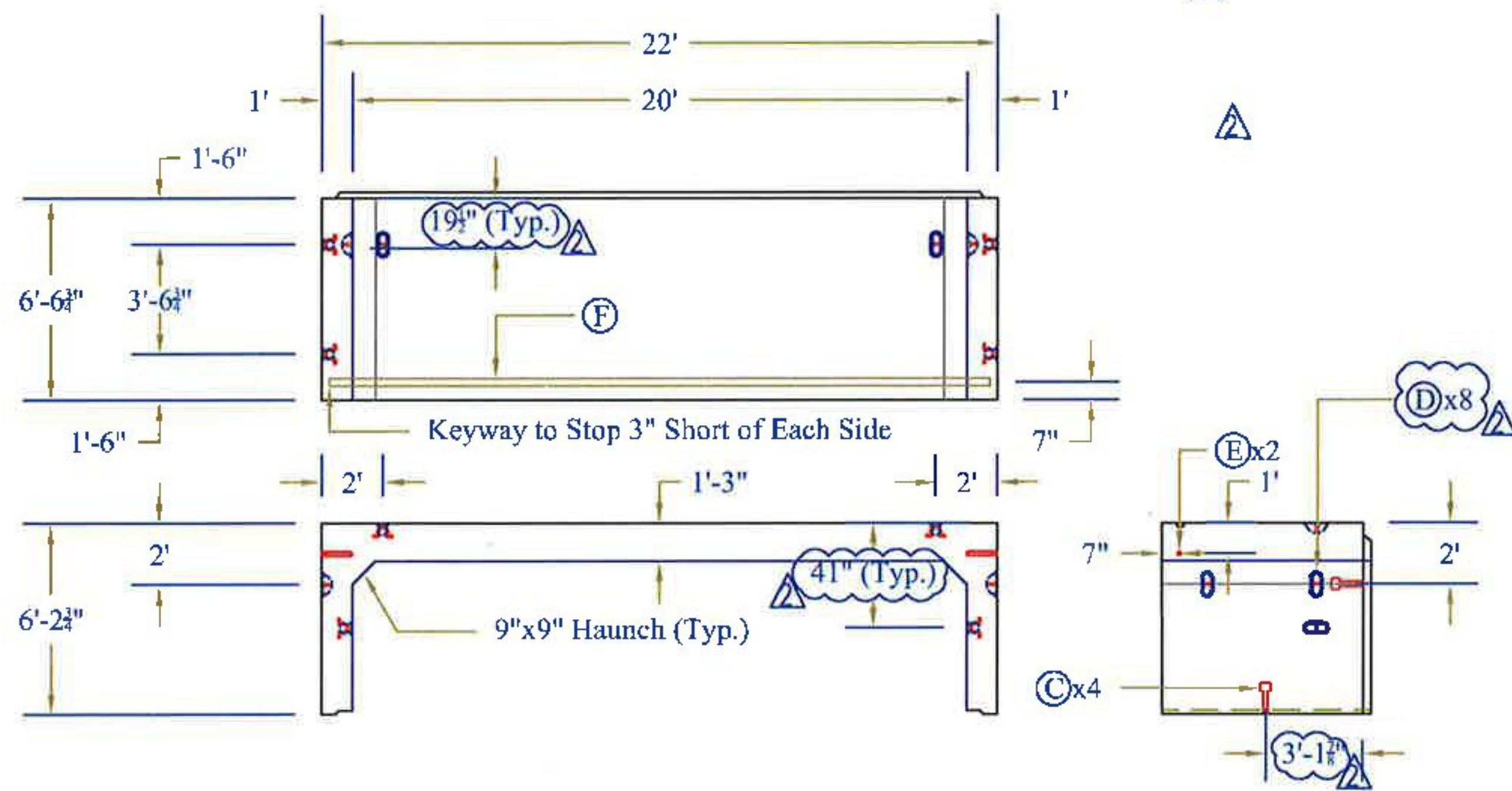


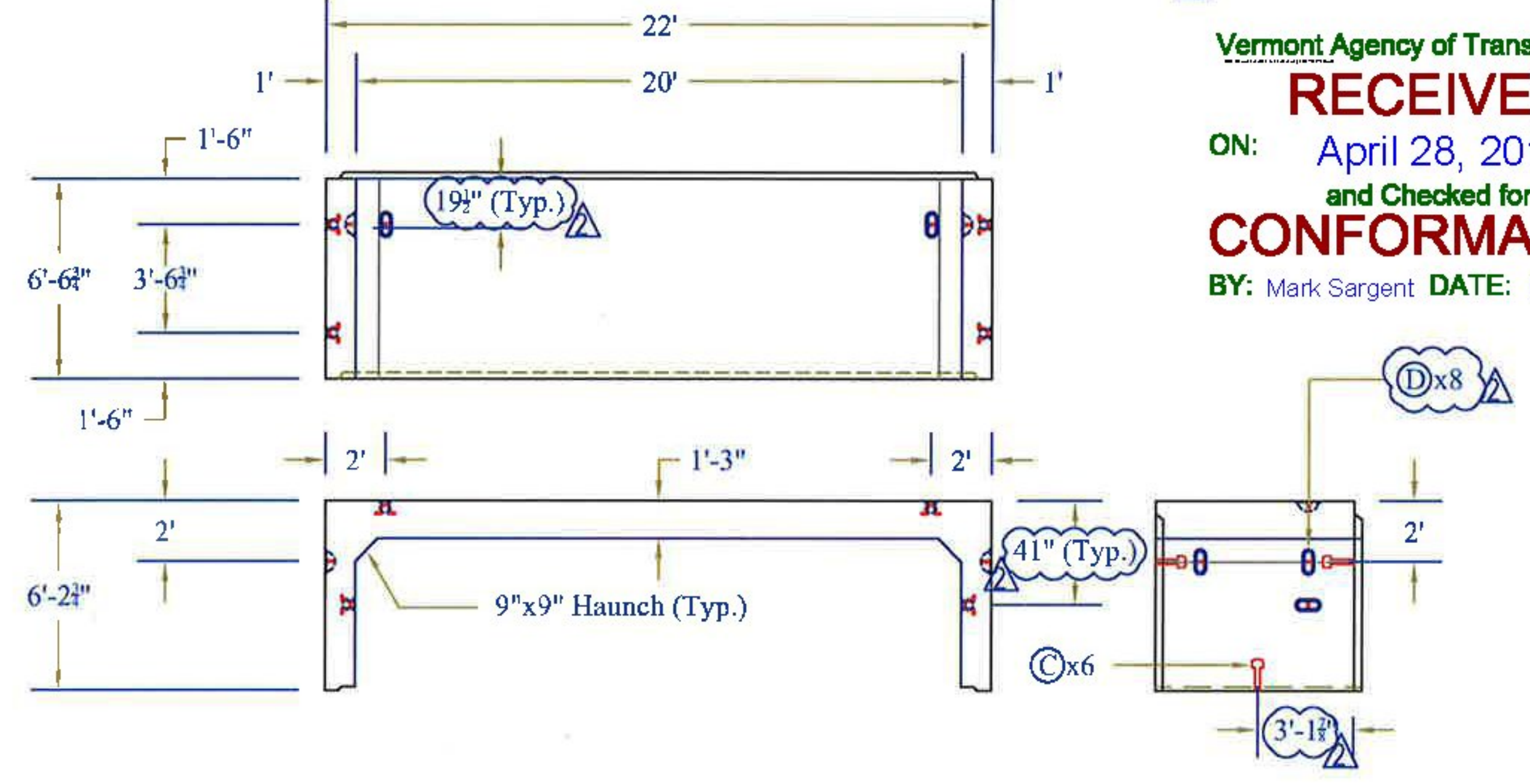
BC-1A Detail

Note: See Sh. 8 for Additional Details



BC-2A Detail

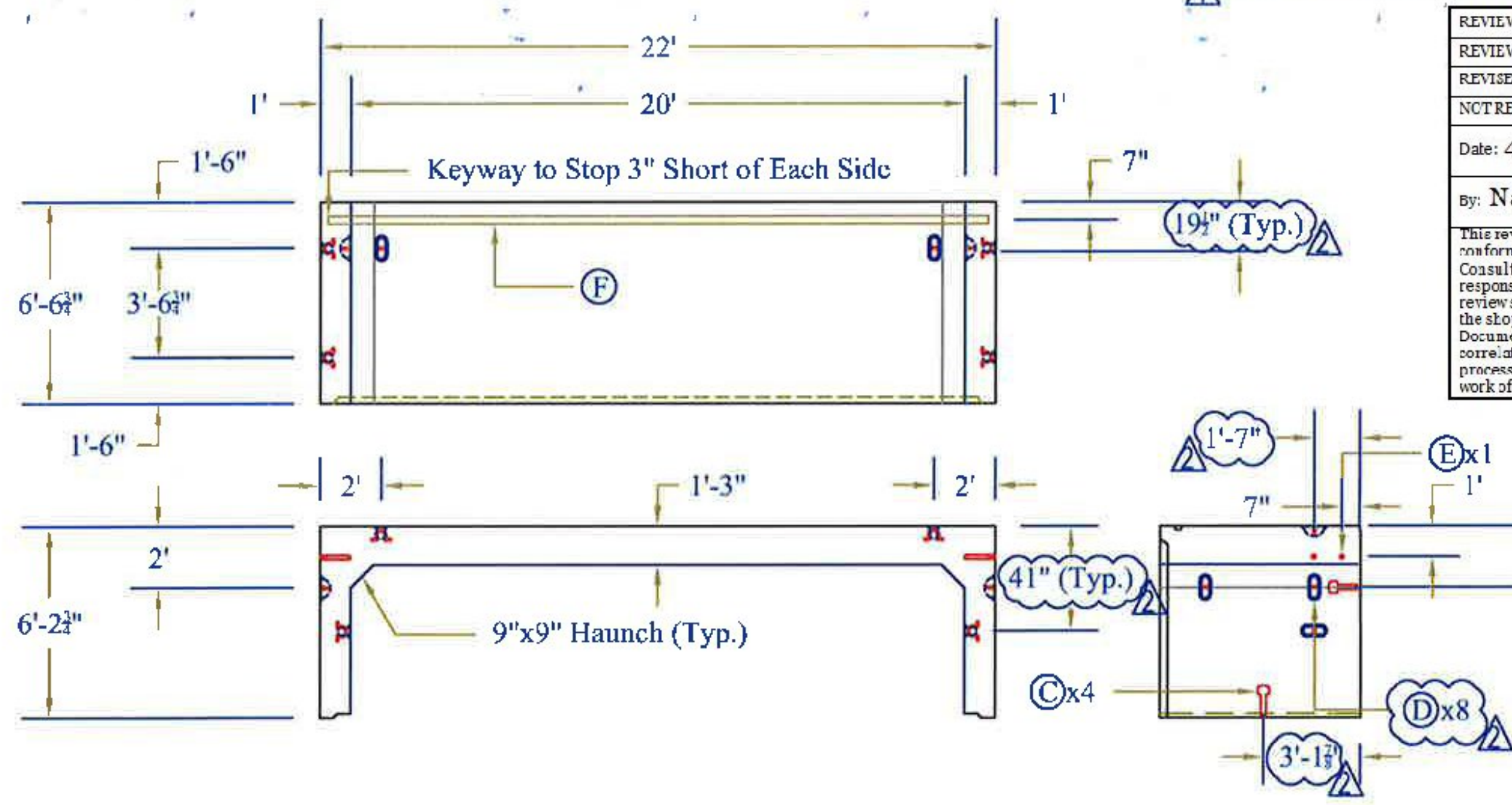
Note: See Sh. 8 for Additional Details



Vermont Agency of Transportation
RECEIVED
 ON: April 28, 2015
 and Checked for
CONFORMANCE
 BY: Mark Sargent DATE: 04/29/2015

BC-3A Detail

Note: See Sh. 8 for Additional Details



Notes: -2" Clear Typical Unless Noted Otherwise

Box Section Reinforcement Detail

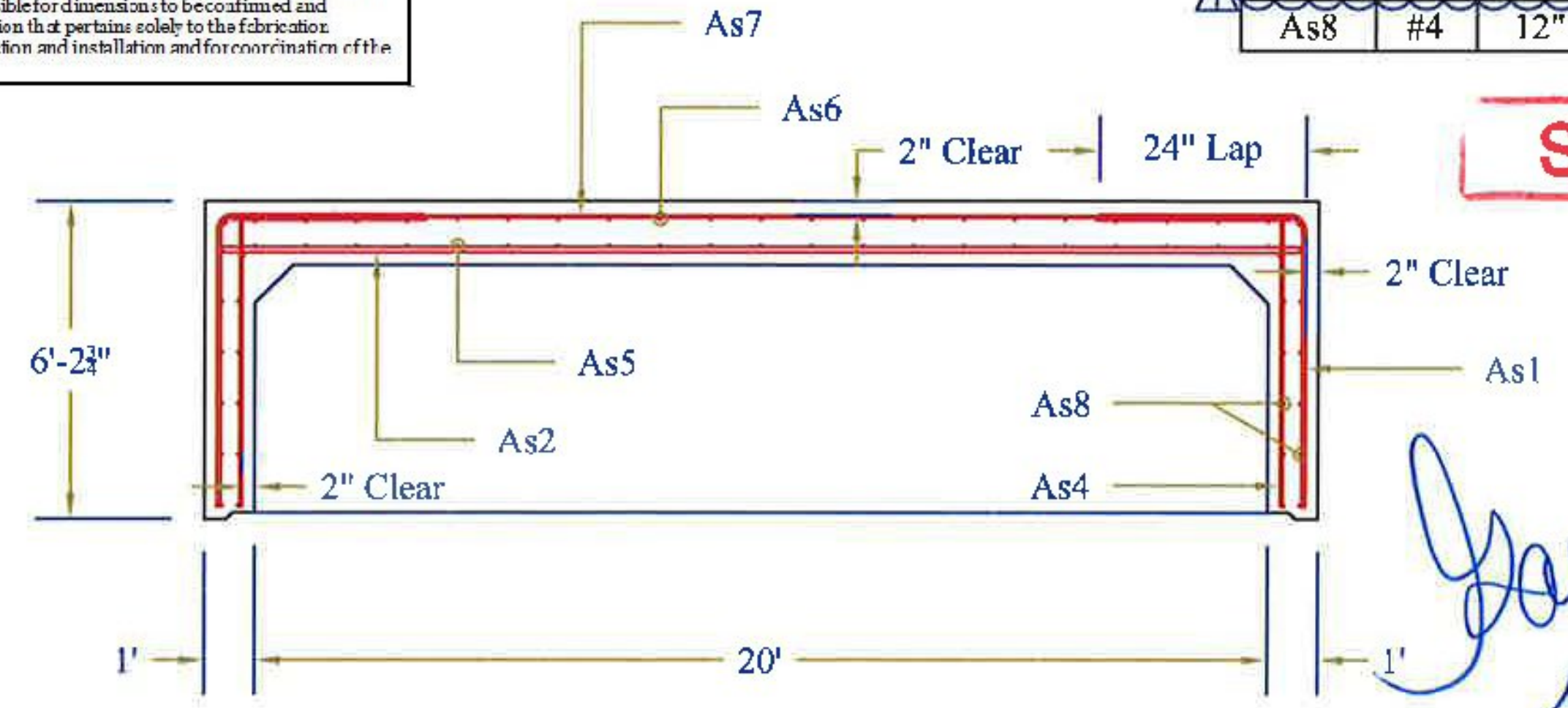
REVIEWED X
 REVIEWED AS MODIFIED
 REVISE AND RESUBMIT
 NOT REVIEWED

Date: 4/24/2015
 by: Nathan Tirk

Stantec

This review by Stantec Consulting Services Inc. is for the sole purpose of ascertaining conformance with the general design concept. This review shall not mean that Stantec Consulting Services Inc. approves the detail design inherent in the shop drawings responsibility for which shall remain with the Contractor. Submitting same, and such review shall not relieve the Contractor of his responsibility for errors or omissions in the shop drawings or his responsibility for meeting all requirements of the Contract Documents. The contractor is responsible for dimensions to be confirmed and correlated at the job site, for information that pertains solely to the fabrication processes or techniques of construction and installation and for coordination of the work of all trades.

Rebar Schedule						
Mark	Size	Max Spacing	Length	Type	A	B
As1	#4	6"	94 3/4"	Bent	24"	70 3/4"
As2	#7	4"	260"	Str	260"	
As4	#4	8"	70 3/4"	Str	70 3/4"	
As5	#5	8"	74 3/4"	Str	74 3/4"	
As6	#5	8"	74 3/4"	Str	74 3/4"	
As7	#4	6"	260"	Str	260"	
As8	#4	12"	74 3/4"	Str	74 3/4"	



STRUCTURAL DESIGN ONLY

STATE OF VERMONT
 BARRY K. MUNKETT
 No. 18297
 REGISTERED
 PROFESSIONAL ENGINEER

Handwritten signature and date: 4/28/15

CONTRACTORS VISPE:	Rev.	Date	By	Description
<ul style="list-style-type: none"> A 3"Ø PVC Sleeve B 4"Ø PVC Sleeve C Mechanical Dolly Pocket (w/ 1"Ø Coil Rod) D Oxford A750-7 Lifting Device E 1"Ø x 5/8" F56 Coil Loop Insert F 1/2" x 3 1/2" Continuous Keyway G Solid Lines Indicate 1/2" Chamfer H 3/4" Female Loop Insert 	1	03/25/15	IBA	Changes per Stantec & State Review
	2	04/23/15	IBA	Changes for Production Purposes

PRECAST CONCRETE BOX CULVERT SHOP DRAWINGS (SDI JOB #15428) SUPERVISOR: E. Barendse DETAILER: I. ADAMS CHECKER: E. Barendse ENGINEER: G. K. Munkett		PROJECT NAME: Bridport PROJECT #: CULV(29) Br.#2 LOCATION: Bridport, VT	Peckham Road Corp. 1557 St. Rt. 9, #3 Lake George, NY 12845 Ph: (518) 747-3353	FABRICATOR: 193 INDUSTRIAL AVE. WILLISTON, VT 05495 Ph: (802) 658-0201	
		02/12/15	BOX_SECTIONS_1		3_OF_8