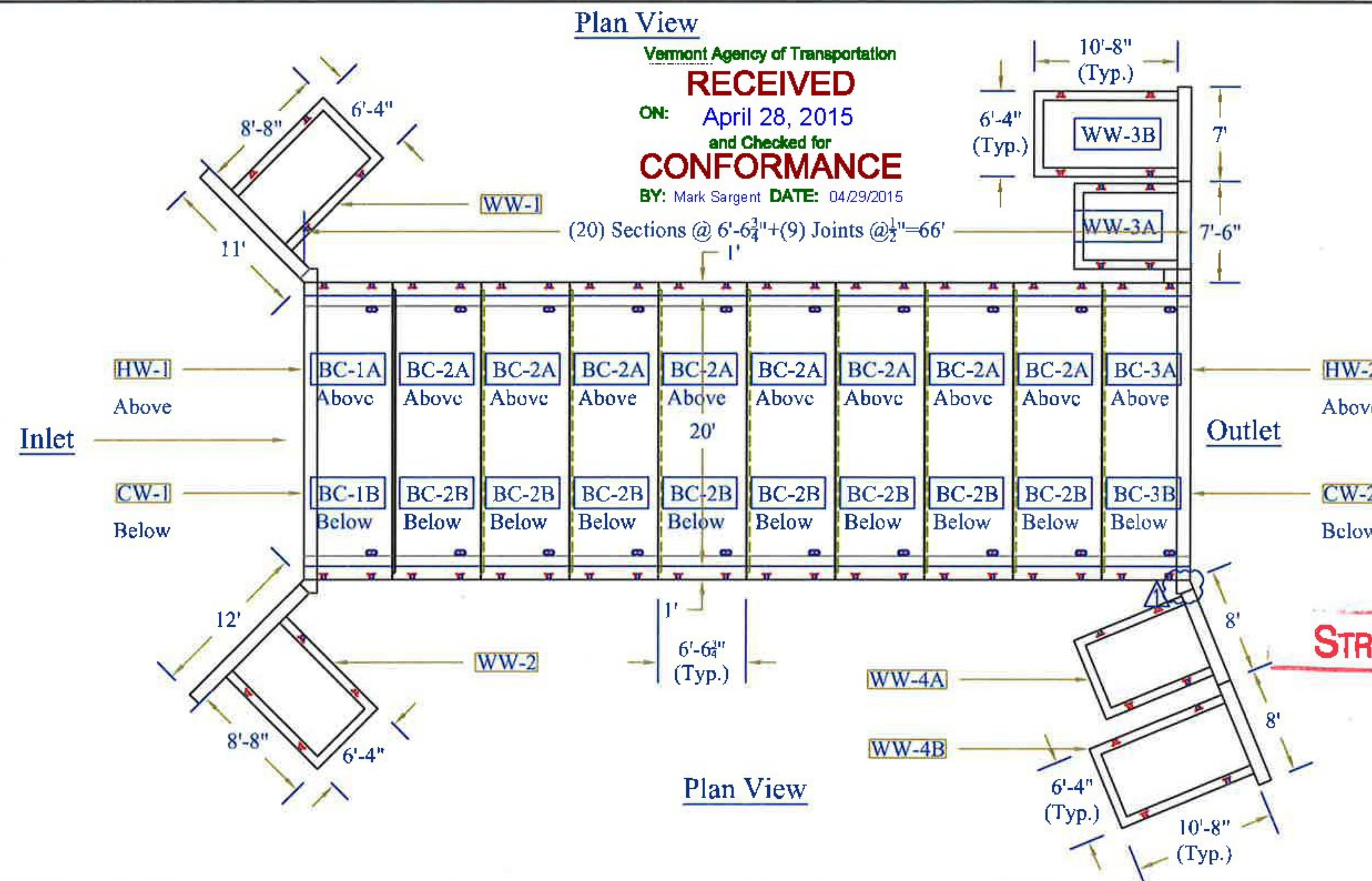


Table of Units				
Name	Qty	Length	Vol.(CY)	Wt.(lbs.)*
BC-1A*	1	6'-6 $\frac{3}{4}$ "	12.17	50,000
BC-1B	1	6'-6 $\frac{3}{4}$ "	9.11	37,500
BC-2A	8	6'-6 $\frac{3}{4}$ "	9.11	37,500
BC-2B	8	6'-6 $\frac{3}{4}$ "	9.11	37,500
BC-3A*	1	6'-6 $\frac{3}{4}$ "	12.17	50,000
BC-3B	1	6'-6 $\frac{3}{4}$ "	9.11	37,500
WW-1	1	11'-0"	10.94	45,000
WW-2	1	12'-0"	11.81	48,500
WW-3A	1	7'-6"	10.35	42,500
WW-3B	1	7'-0"	9.78	40,100
WW-4A	1	8'-0"	10.80	44,250
WW-4B	1	8'-0"	10.38	42,600
CW-1	1	22'-0"	2.24	9,000
CW-2	1	22'-0"	2.24	9,000

* Headwall Included in BC-1A and BC-3A



Plan View
 Vermont Agency of Transportation
RECEIVED
 ON: April 28, 2015
 and Checked for
CONFORMANCE
 BY: Mark Sargent DATE: 04/29/2015

REVIEWED	X
REVISED AS MODIFIED	
REVISE AND RESUBMIT	
NOT REVIEWED	

Date: 4/24/2015
 By: Nathan Tirk

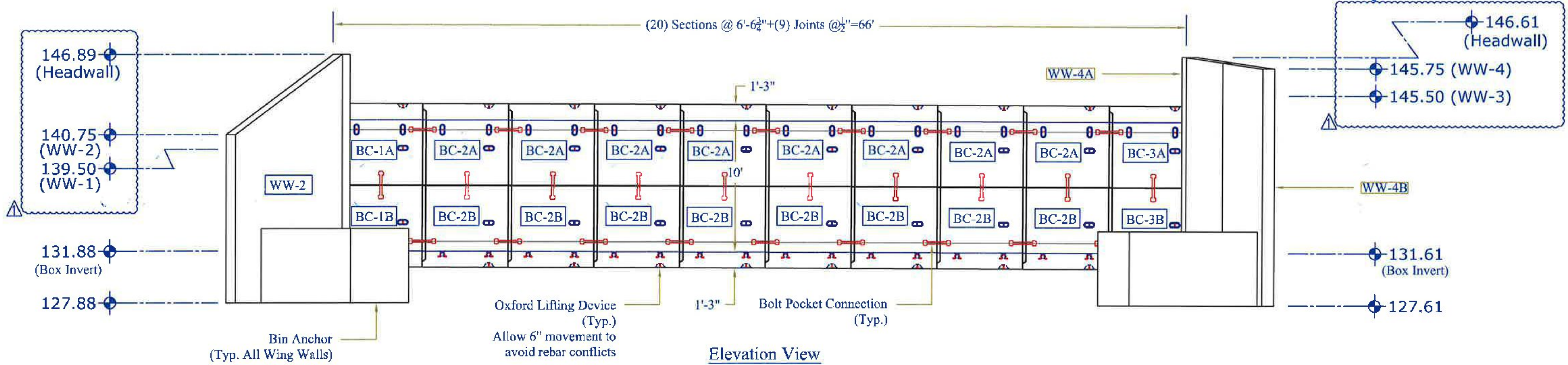
This review by Stantec Consulting Services Inc. is for the sole purpose of ascertaining conformance with the general design concept. This review shall not constitute an approval of the design or construction. The contractor is responsible for meeting all requirements of the Contract Documents. The contractor is responsible for dimensions to be confirmed and correlated at the job site, for information that pertains solely to the fabrication process prior to techniques of construction and installation and for coordination of the work of all subcontractors.

Culvert Specifications	
Inside Dimensions	10'-0" x 20'-0"
Waterway Area	160 Sq. Ft.
Top Slab Thickness	15"
Side Wall Thickness	12"
Bottom Slab Thickness	15"

STRUCTURAL DESIGN ONLY

STATE OF VERMONT
 GARY K. MUNKELT
 NO. 6291
 REGISTERED PROFESSIONAL ENGINEER

Gary K. Munkelt
 4/28/15



Elevation View

CONTRACTORS VISPE:	Rev. 1 03/25/15 IBA Changes per Stantec & State Review	Rev. 2 04/23/15 IBA Changes for Production Purposes	PRECAST CONCRETE BOX CULVERT SHOP DRAWINGS (SDI JOB #15428)	Peckham Road Corp. 1557 St. Rt. 9, #3 Lake George, NY 12845 Ph: (518) 747-3353	FABRICATOR: 193 INDUSTRIAL AVE. WILLISTON, VT 05495 Ph: (802) 658-0201
			SUPERVISOR: E. Barendse DETAILER: I. ADAMS CHECKER: E. Barendse ENGINEER: G. K. Munkelt	PROJECT NAME: Bridport PROJECT #: CULV(29) Br.#2 LOCATION: Bridport, VT	SD Ireland PRECAST
				02/12/15	PLAN_ELEVATION 2_OF_8