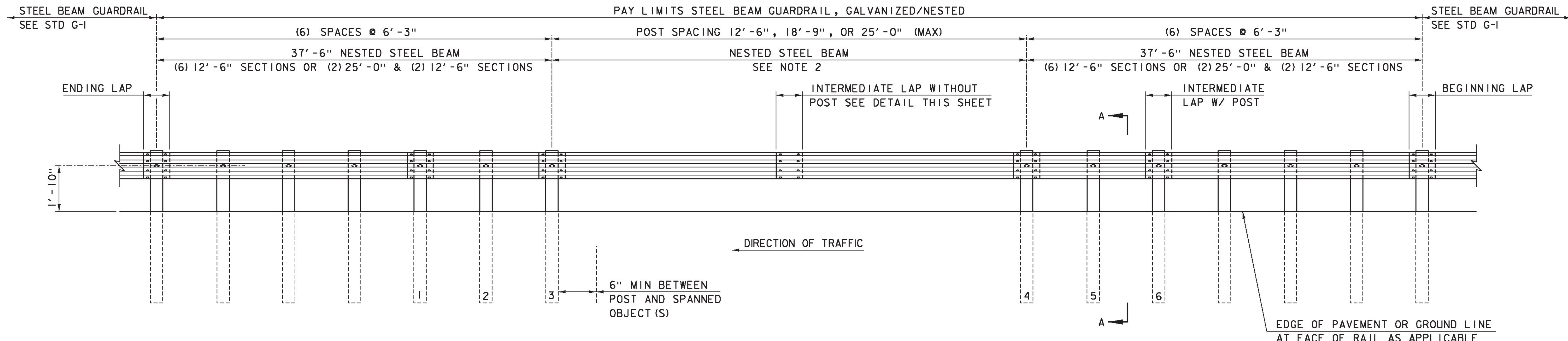
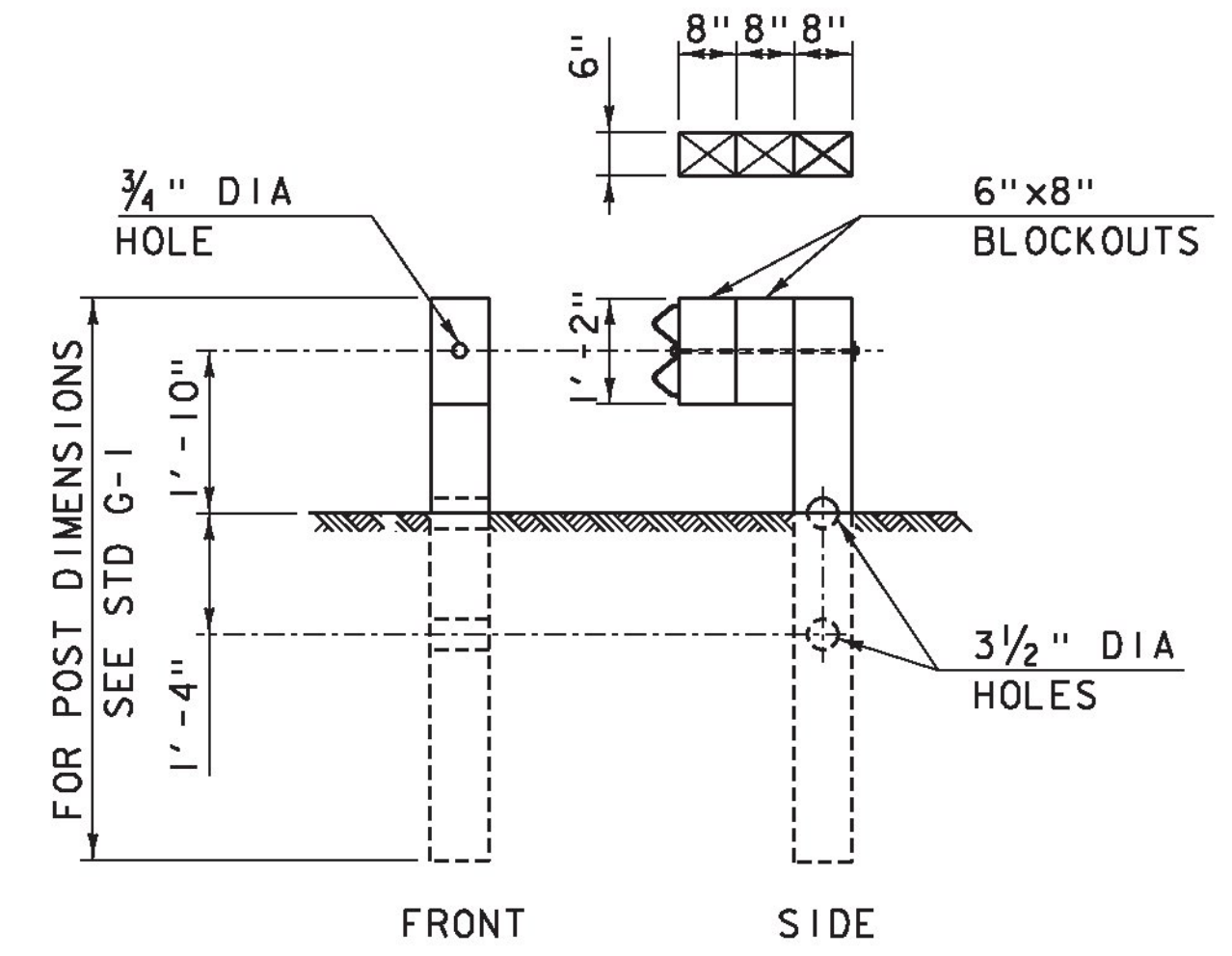


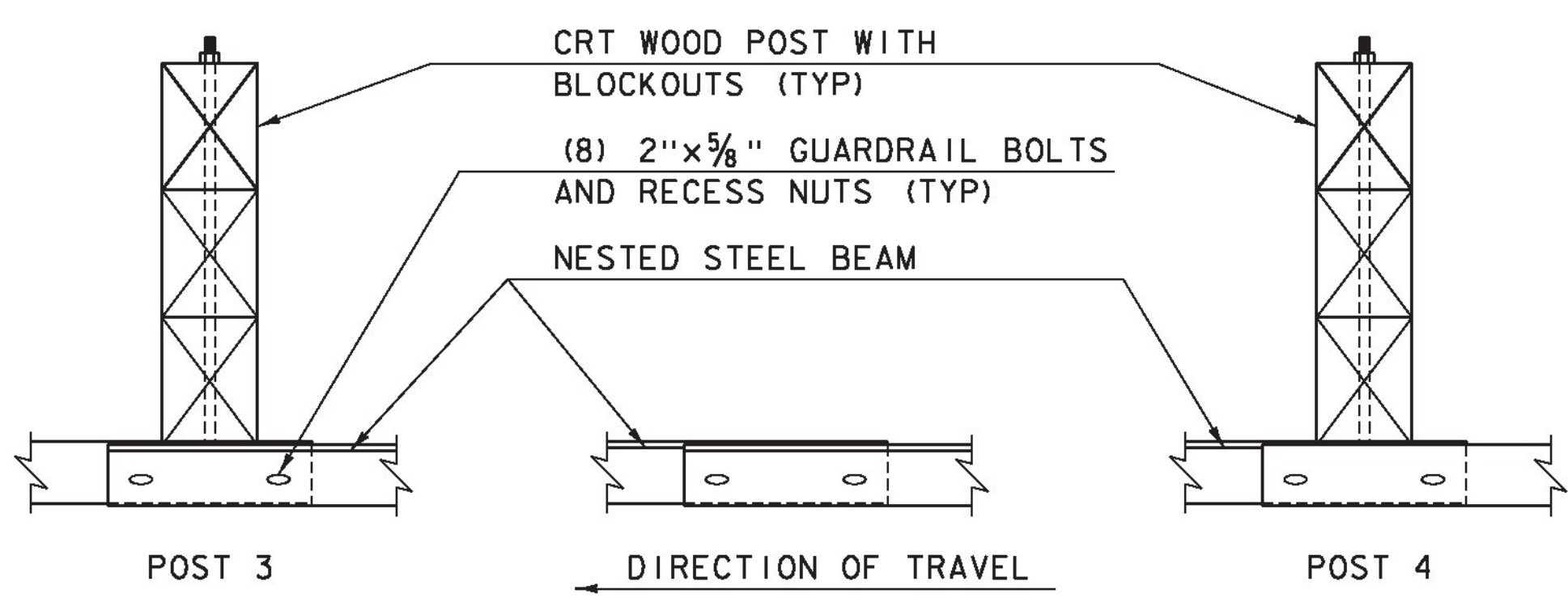
**LONGSPAN STEEL BEAM GUARDRAIL PLAN**



**LONGSPAN STEEL BEAM GUARDRAIL ELEVATION**



**SECTION A-A**  
SECTION A-A TYPICAL FOR POST 1-6.  
SEE NOTES 3 AND 4



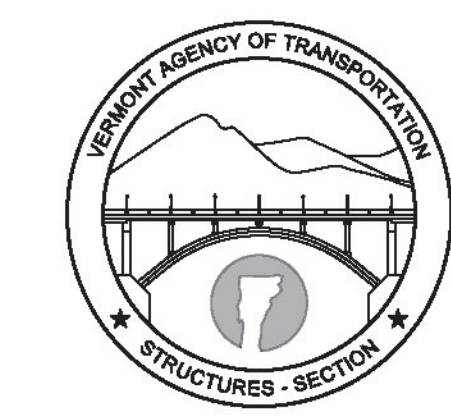
**INTERMEDIATE LAP WITHOUT POST**

**NOTES:**

1. RAIL MEETS TEST LEVEL 3 REQUIREMENTS OF NCHRP REPORT 350.
2. THERE SHALL BE NO MORE THAN ONE SPLICE IN THE LONGSPAN LOCATION.
3. POSTS 1 THRU 6 ARE BREAKAWAY CONTROLLED RELEASING TERMINAL (CRT) POSTS.
4. POSTS 1 THRU 6 HAVE TWO 6"x8" BLOCKOUTS.
5. ON POSTS 1 THRU 6, GUARDRAIL BOLT "D", AS SHOWN ON STD G-1, SHALL BE 26" LONG.
6. ON ALL POSTS WHERE THE RAIL IS NESTED GUARDRAIL BOLT "A", AS SHOWN ON STD G-1, SHALL BE 2" LONG.
7. CLEAR AREA BEHIND BACK OF RAIL SHALL BE: 5'-0" MINIMUM FOR OBSTRUCTIONS LESS THAN OR EQUAL TO THE HEIGHT OF RAIL. 6'-0" FOR OBSTRUCTIONS TALLER THAN THE TOP OF RAIL.
8. W6x9 STEEL POST MAY BE REPLACED WITH CRT WOOD POST WITH THE APPROVAL OF THE ENGINEER.
9. ALL MATERIALS NECESSARY FOR THE ASSEMBLY OF THE RAIL MUST MEET THE REQUIREMENTS OF STD G-1 UNLESS OTHERWISE NOTED.
10. GUARDRAIL SECTIONS SHALL BE LAPPED IN THE DIRECTION OF TRAFFIC FLOW FOR THE LANE NEAREST THE GUARDRAIL.

| REVISIONS         |   |
|-------------------|---|
| NOVEMBER 25, 2013 | APPROVED FOR USE BY VAOT STRUCTURES SECTION |
| JANUARY 3, 2014   | APPROVED FOR USE BY VAOT STRUCTURES SECTION |
|                   |   |
|                   |   |
|                   |   |
|                   |   |

**LONGSPAN  
STEEL BEAM GUARDRAIL,  
GALVANIZED**



**STRUCTURES  
DETAIL  
SD-366.00**