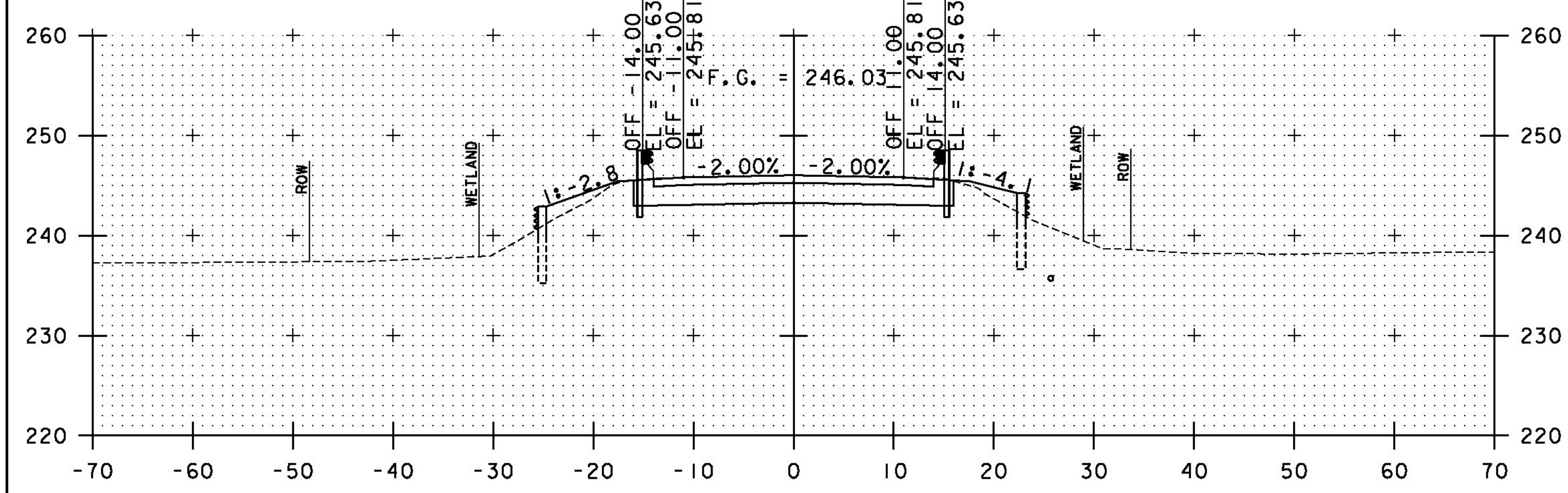


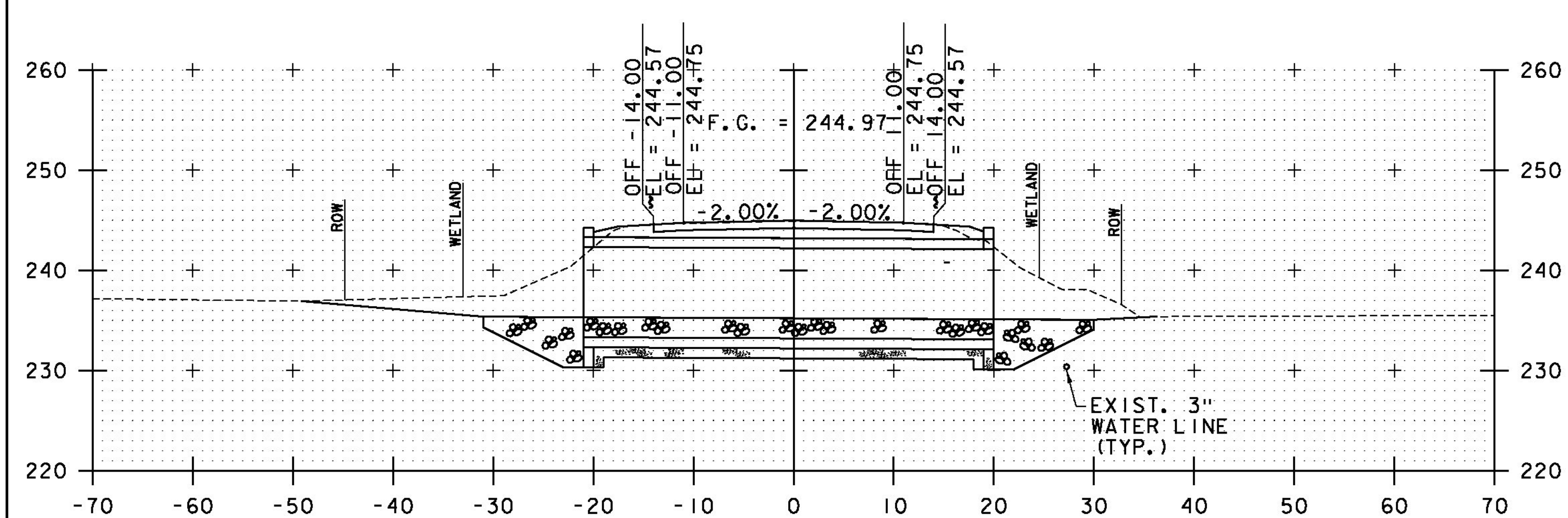
23+20
END PROJECT

23+25



22+85.02
END BRIDGE

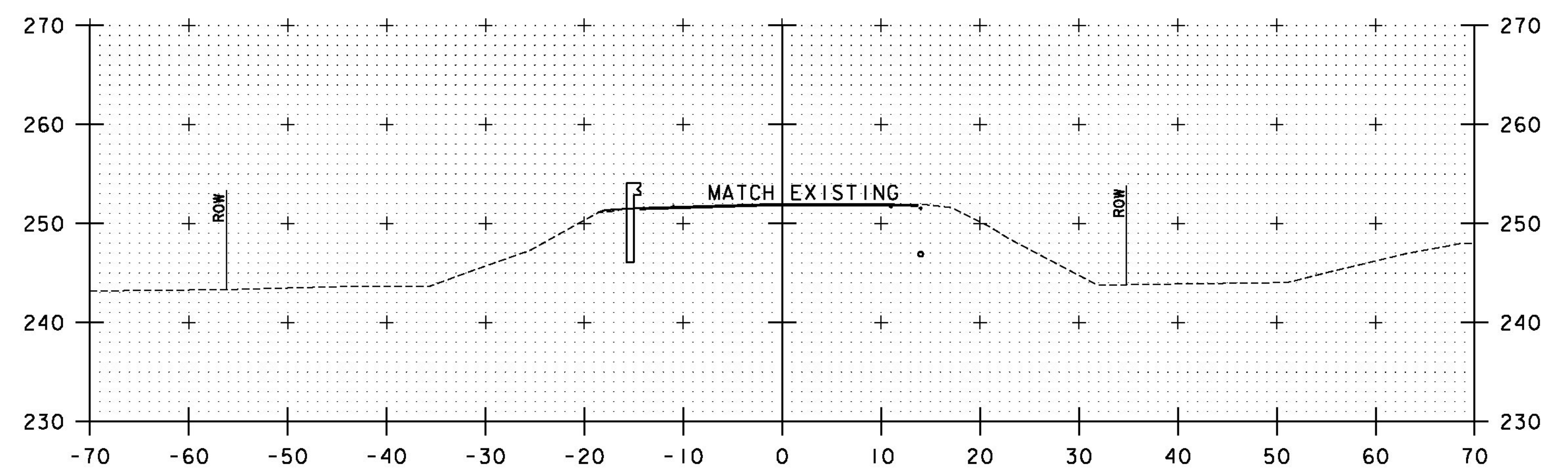
23+00



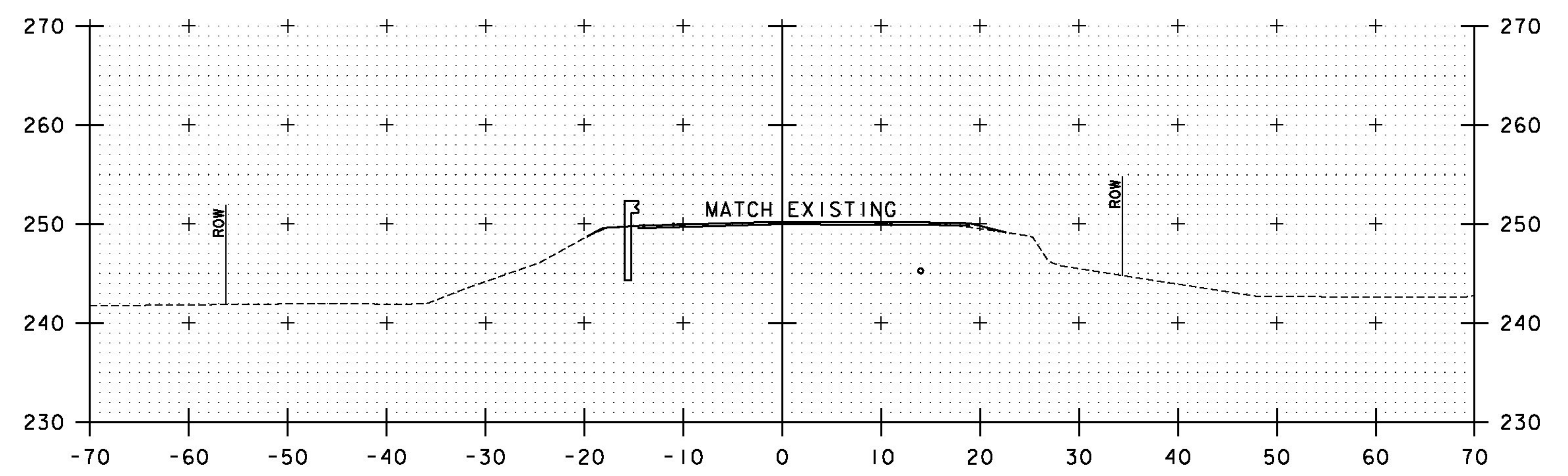
22+71.02
BEGIN BRIDGE

22+75

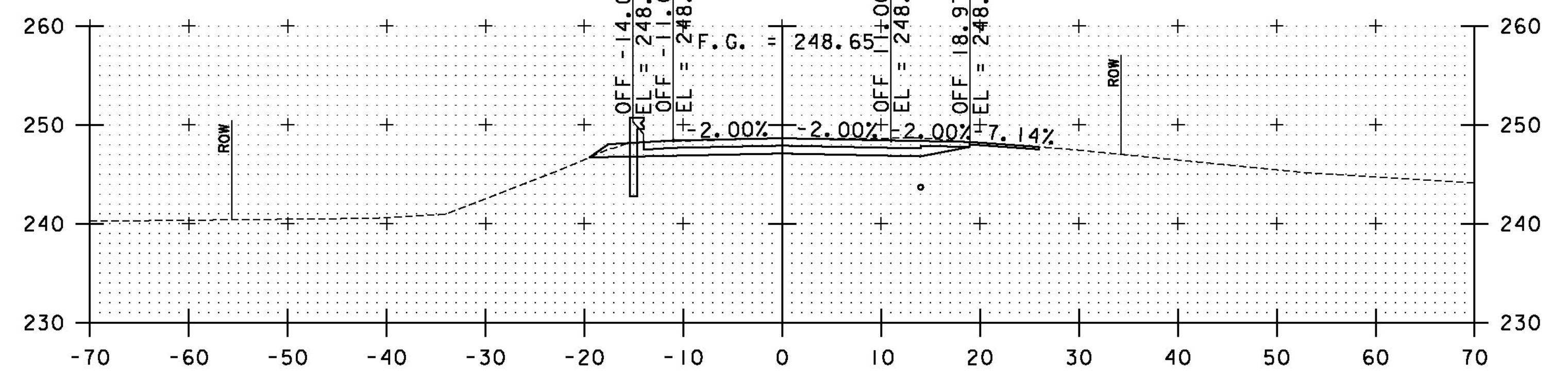
24+20
END APPROACH



24+00

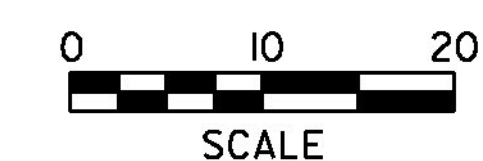


23+75



STA. 22+75 TO STA. 24+00

23+50



PROJECT NAME:	BRIDPORT	FILE NAME:	zllc264xs_br5.dgn	PLOT DATE:	8/22/2014
PROJECT NUMBER:	STP CULV(29)	PROJECT LEADER:	M. CHENETTE	DRAWN BY:	L. BUXTON
		DESIGNED BY:	J. HUNGERFORD	CHECKED BY:	M. CHENETTE
		ROADWAY CROSS SECTIONS -	RXS2 - BR5	SHEET	49 OF 57