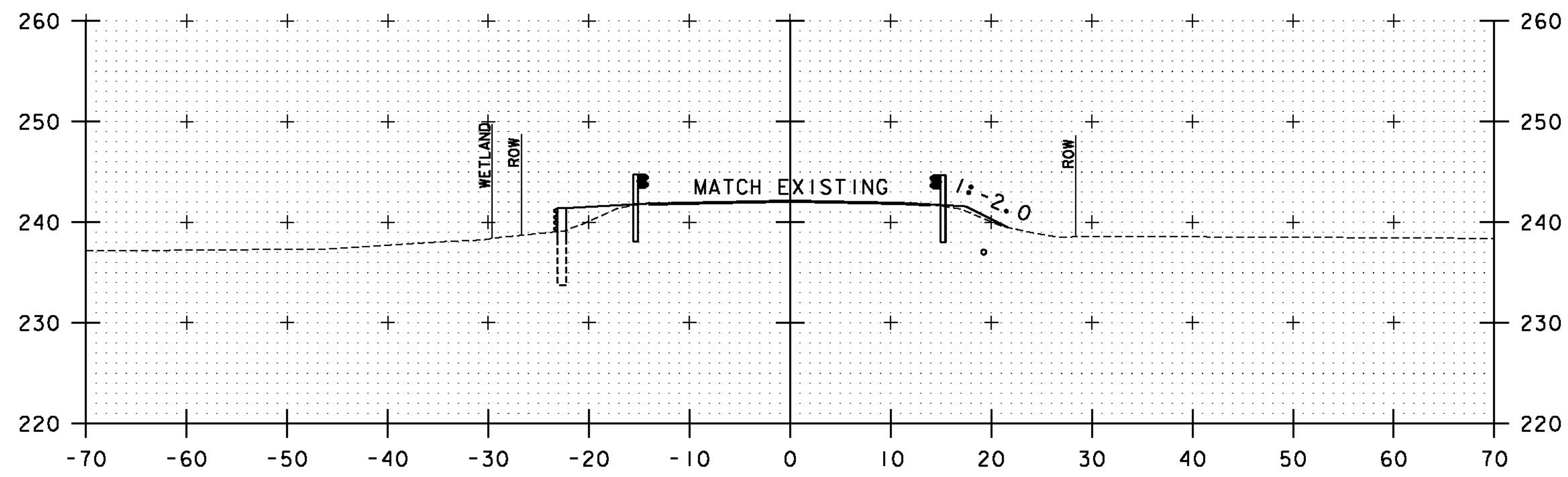
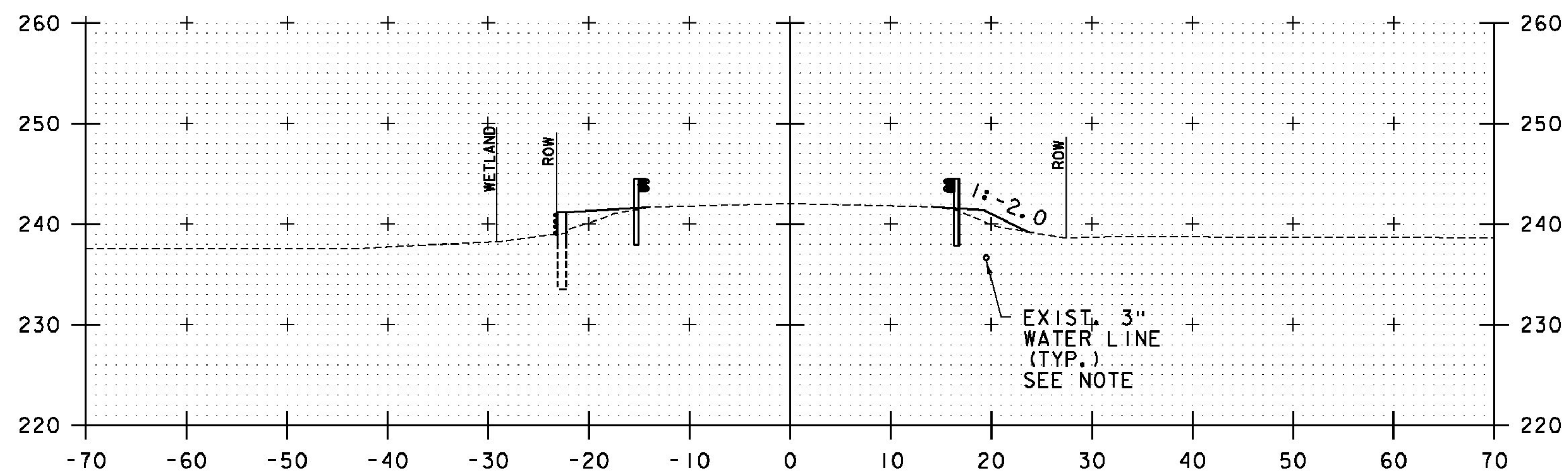


21+75



21+40
BEGIN APPROACH

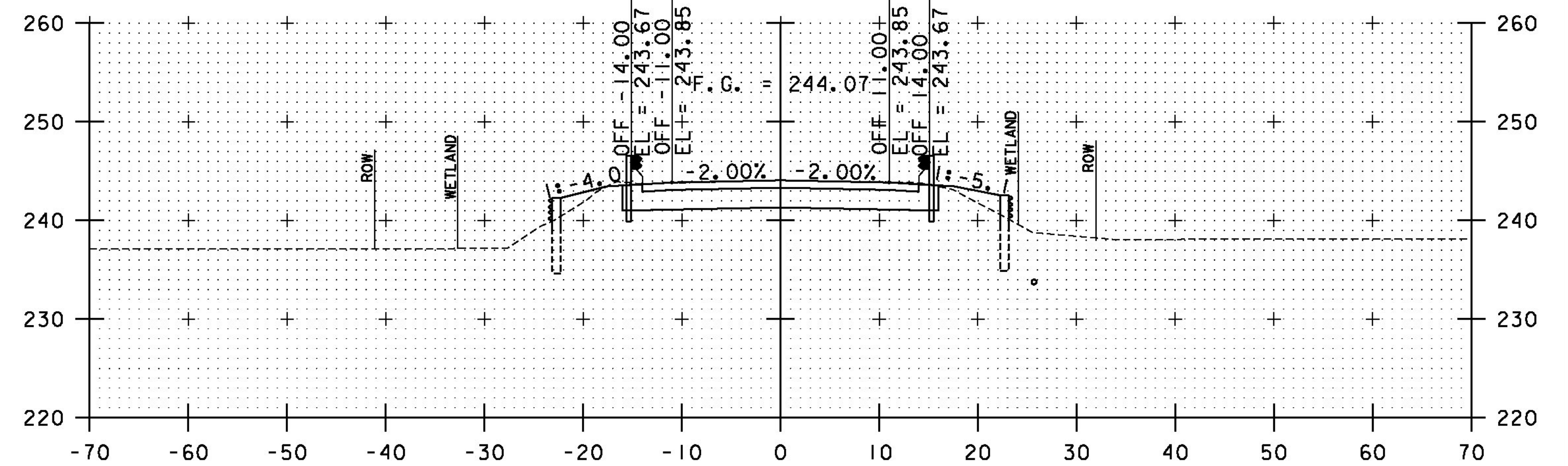
21+50



21+25

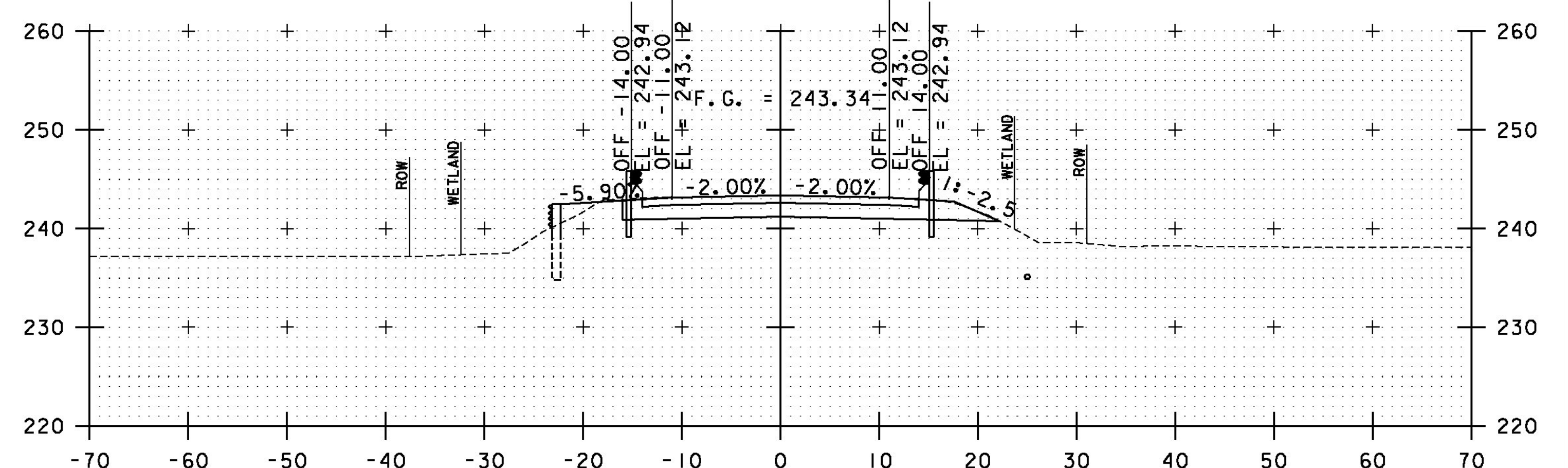
EXIST. 3" WATER LINE (TYP.) SEE NOTE

NOTE:
EXISTING 3" WATERLINE LOCATION IS APPROXIMATE. TO BE VERIFIED IN THE FIELD AND POST LOCATIONS MODIFIED, IF NEEDED.

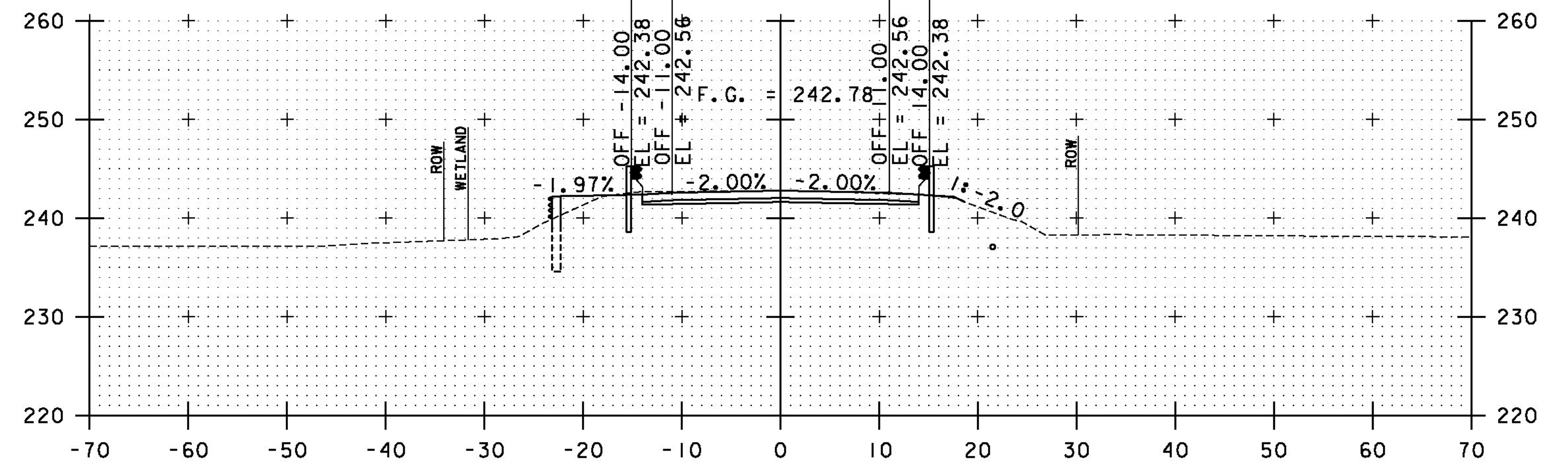


22+40
RESUME PROJECT

22+50

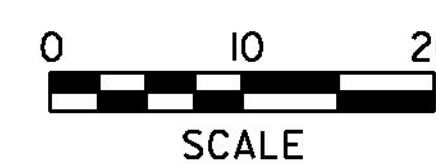


22+25



22+00

STA. 21+25 TO STA. 22+50



PROJECT NAME:	BRIDPORT	PLOT DATE:	8/22/2014
PROJECT NUMBER:	STP CULV(29)	DRAWN BY:	L. BUXTON
FILE NAME:	zllc264xs_br5.dgn	DESIGNED BY:	J. HUNGERFORD
PROJECT LEADER:	M. CHENETTE	CHECKED BY:	M. CHENETTE
ROADWAY CROSS SECTIONS - RXSI - BR5		SHEET	48 OF 57