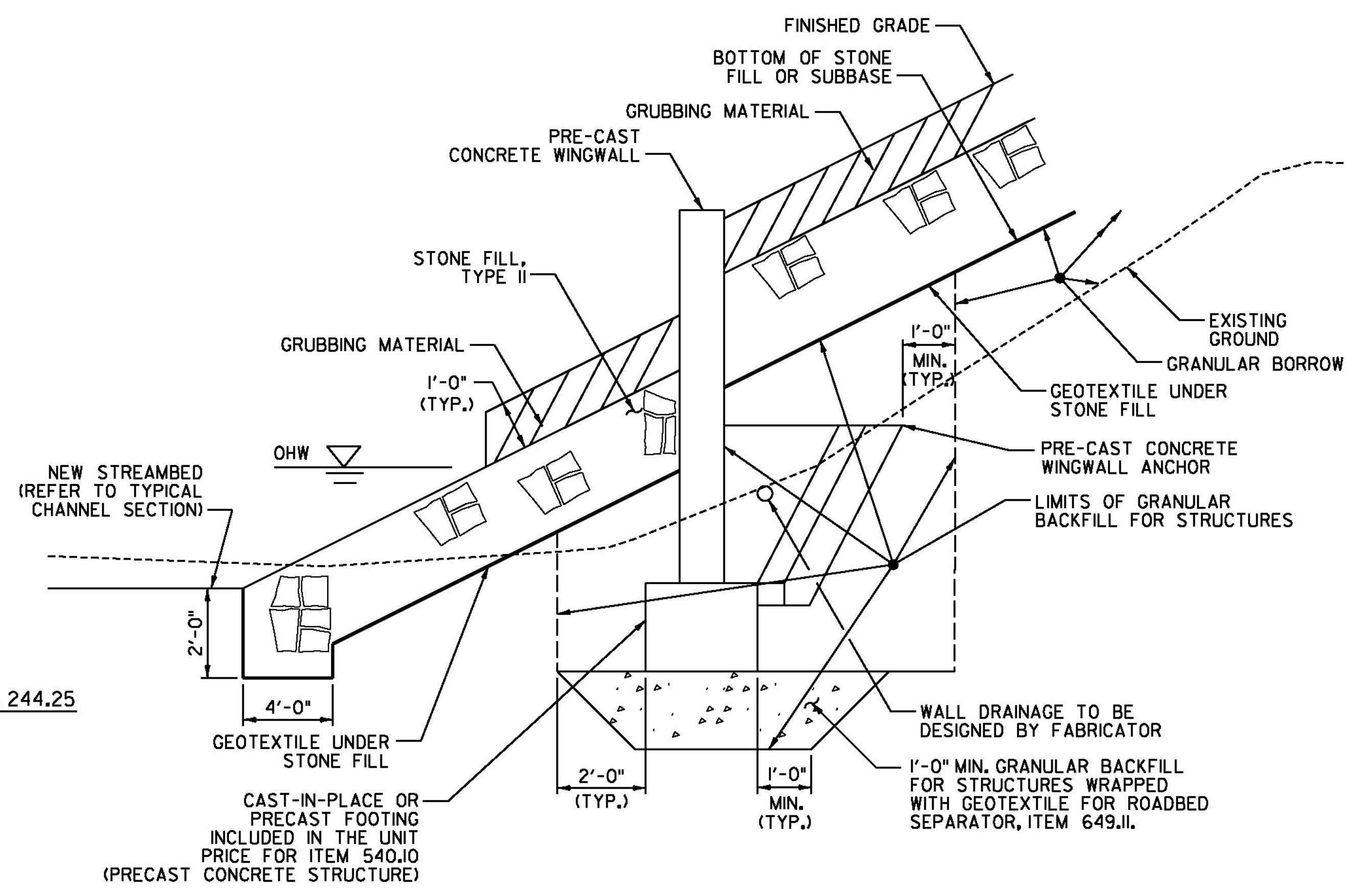
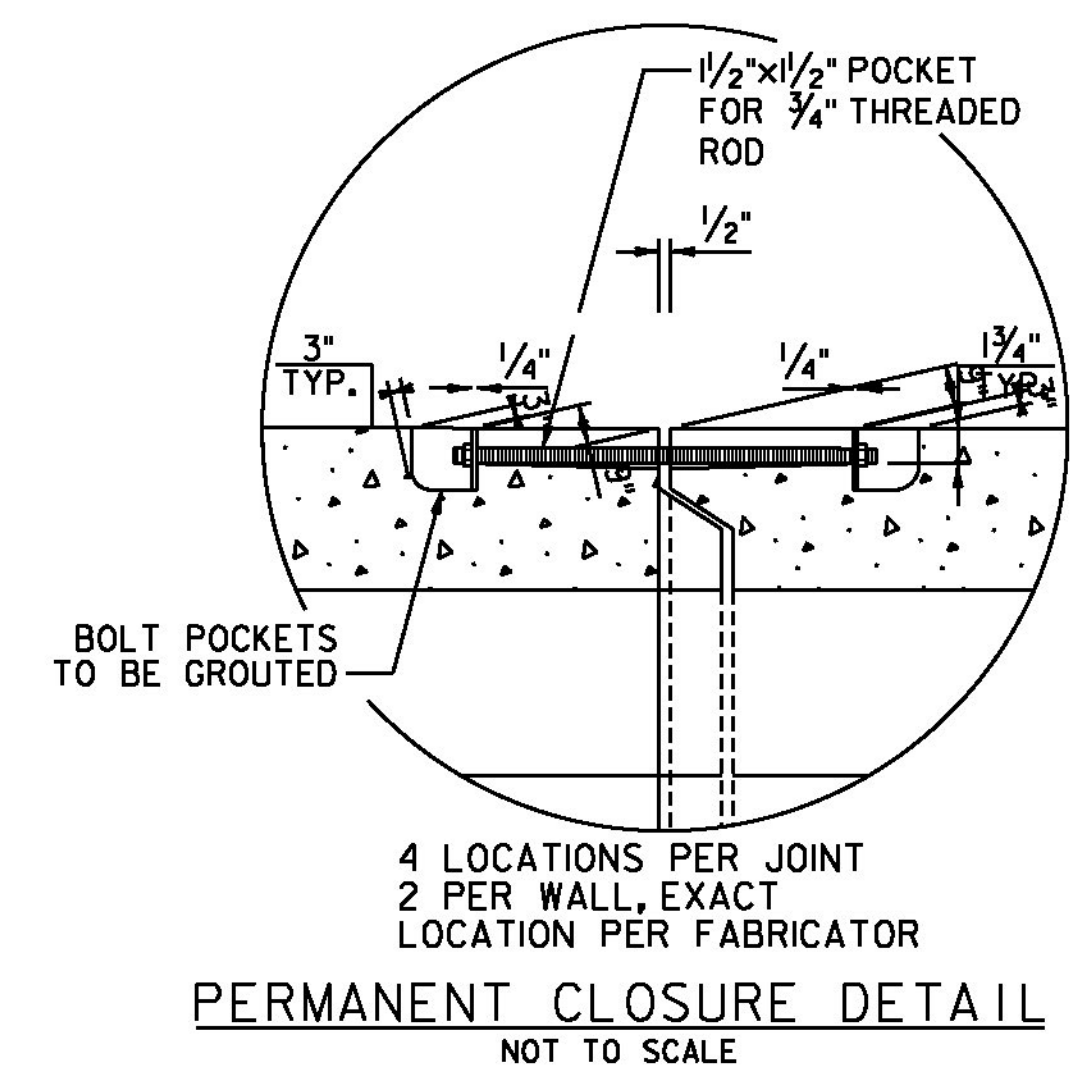
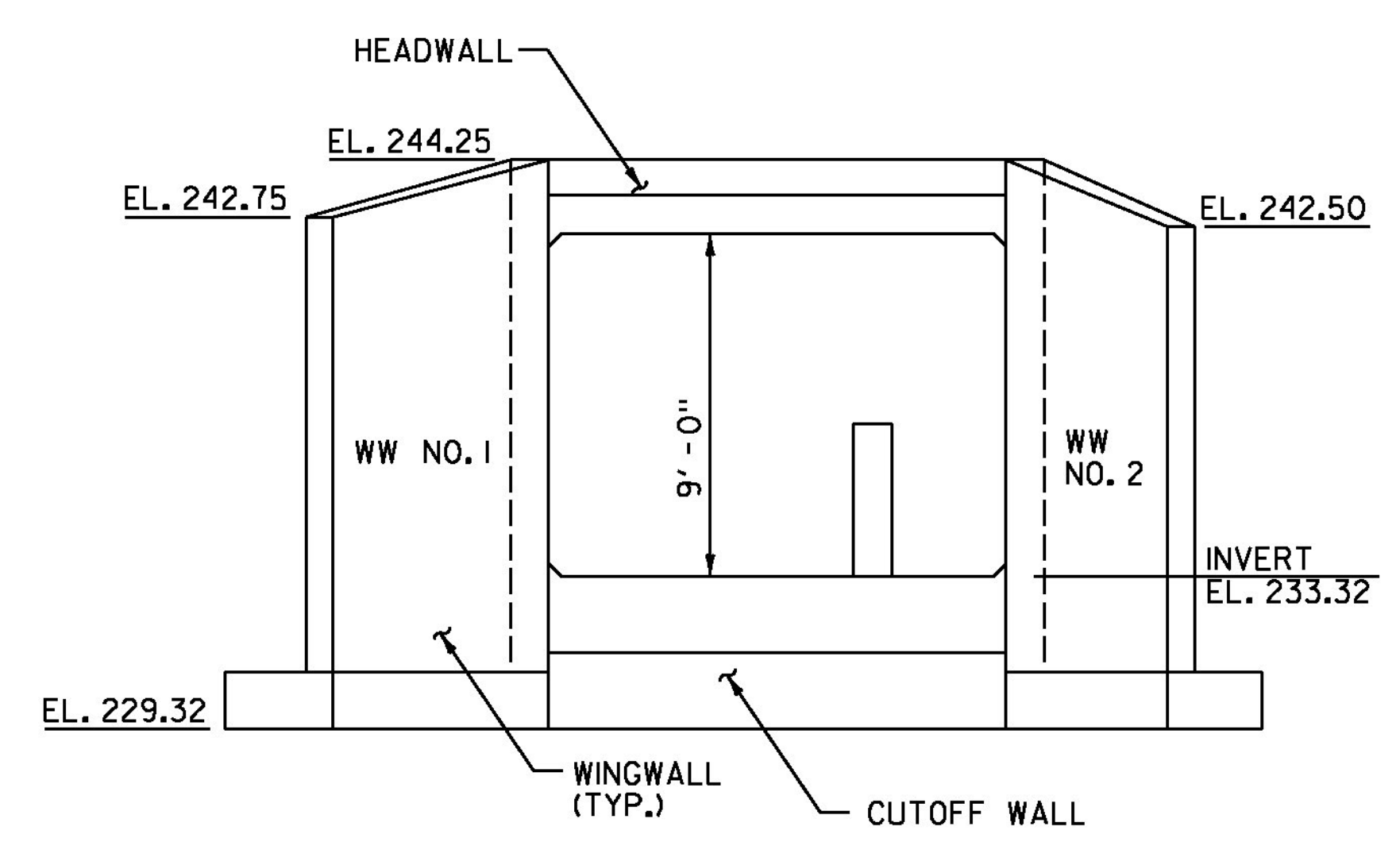


PRECAST CONCRETE STRUCTURE PLAN  
SCALE: 1/4" = 1'-0"

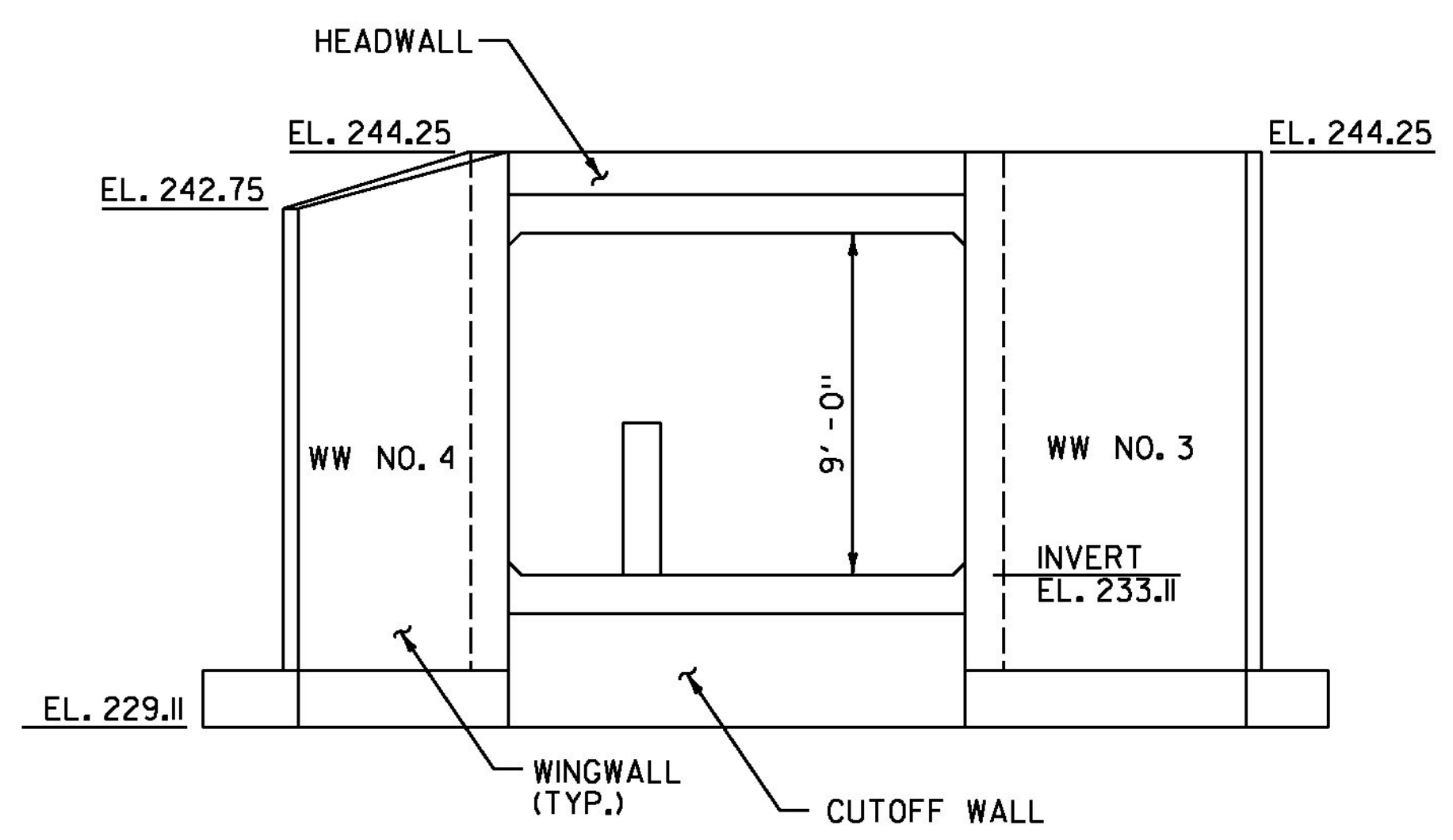


NOTE:  
ANCHOR TYPE WALLS SHOWN, OTHER APPROVED WALL SYSTEM MAY BE USED, SEE SPECIAL PROVISIONS.

WINGWALL EARTHWORK SECTION  
NOT TO SCALE



INLET ELEVATION  
SCALE: 1/4" = 1'-0"



OUTLET ELEVATION  
SCALE: 1/4" = 1'-0"



PROJECT NAME:	BRIDPORT	PLOT DATE:	8/22/2014
PROJECT NUMBER:	STP CULV(29)	PROJECT LEADER:	M. CHENETTE
FILE NAME:	zllc264strpl.br5.dgn	DESIGNED BY:	J. HUNGERFORD
STRUCTURAL PLAN AND DETAILS - BR5		CHECKED BY:	M. CHENETTE
		DRAWN BY:	L. BUXTON
			CHECKED BY: M. CHENETTE
			SHEET 42 OF 57